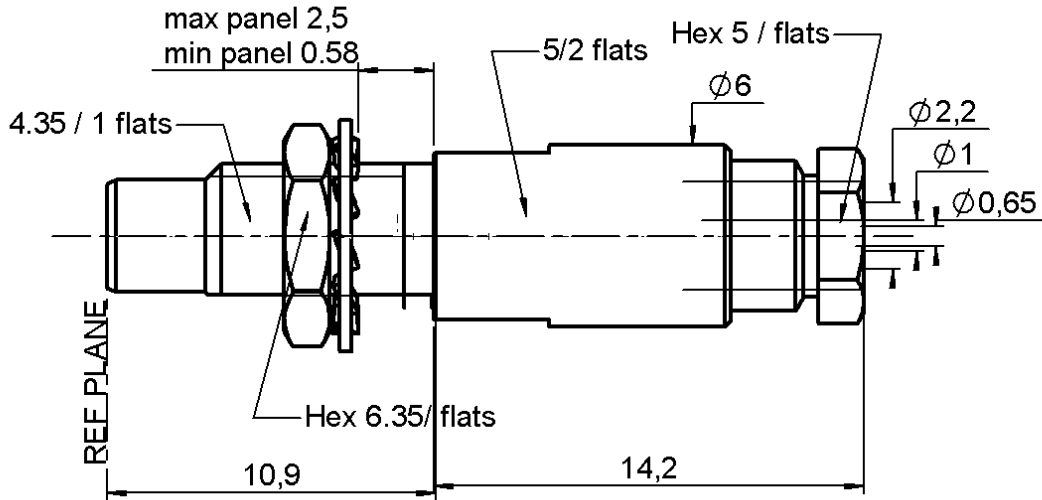


STRAIGHT BULKHEAD JACK CLAMP TYPE

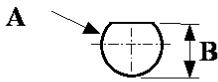
R112.303.000

REAR MOUNT - CABLE 2/50 S

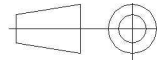
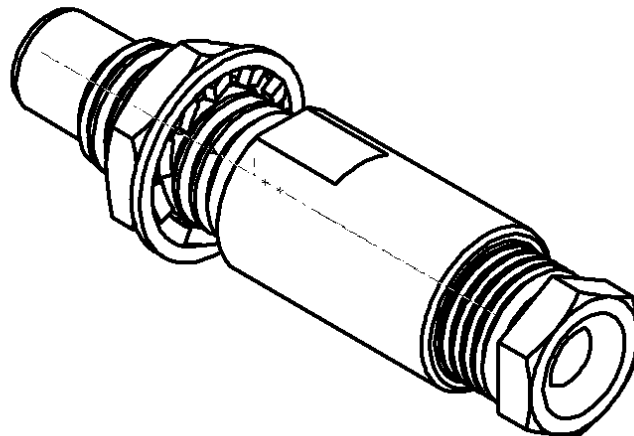
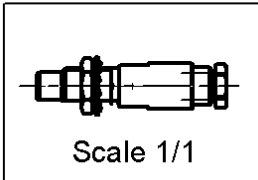
Series : SMC



PANEL CUT OUT



mm		
	Maxi	mini
A	5	4.9
B	4.58	4.56



All dimensions are in mm.

COMPONENTS	MATERIALS	PLATINGS (µm)
BODY	BRASS	GOLD 0.2 OVER NICKEL 2
CENTER CONTACT	BRASS	GOLD 1.3 OVER NICKEL 2
OUTER CONTACT	-	-
INSULATOR	PTFE	-
GASKET	CHLOROPRENE	-
OTHERS PARTS	BRASS	GOLD 0.2 OVER NICKEL 2
-	-	-
-	-	-

Issue : 0422 T

In the effort to improve our products, we reserve the right to make changes judged to be necessary.



STRAIGHT BULKHEAD JACK CLAMP TYPE

R112.303.000

REAR MOUNT - CABLE 2/50 S

Series : SMC

PACKAGING

Standard	Unit	Other
1	-	Contact us

SPECIFICATION

ELECTRICAL CHARACTERISTICS

Impedance		50 Ω
Frequency		0-10 GHz
VSWR	1.25 +	0.040 x F(GHz) Maxi
Insertion loss		0.125 √F(GHz) dB Maxi
RF leakage	- (62 - F(GHz)) dB mini
Voltage rating		250 Veff Maxi
Dielectric withstanding voltage		750 Veff mini
Insulation resistance		1000 MΩ mini

CABLE ASSEMBLY

Stripping	a	b	c	d	e	f
mm	2.50	1.20	4.50	4.50	0.00	0.00

Assembly instruction :

Recommended cable(s)

RG 178
KX 21
RG 196
RG 178 LC

Cable retention

- pull off **58** N mini
- torque **NA** N.cm

MECHANICAL CHARACTERISTICS

Center contact retention		
Axial force – Mating end	10	N mini
Axial force – Opposite end	10	N mini
Torque	NA	N.cm mini

TOOLING

Part Number	Description	Hexagon
.	.	.

Recommended torque

Mating	NA	N.cm
Panel nut	60	N.cm
Clamp nut	70	N.cm
A/F clamp nut	5.000	mm

Mating life	500	Cycles mini
Weight	2.800	g

OTHERS CHARACTERISTICS

-

ENVIRONMENTAL

Operating temperature	-55°/+100	° C
Hermetic seal	NA	Atm.cm3/s
Panel leakage	NA	

Issue : 0422 T

In the effort to improve our products, we reserve the right to make changes judged to be necessary.



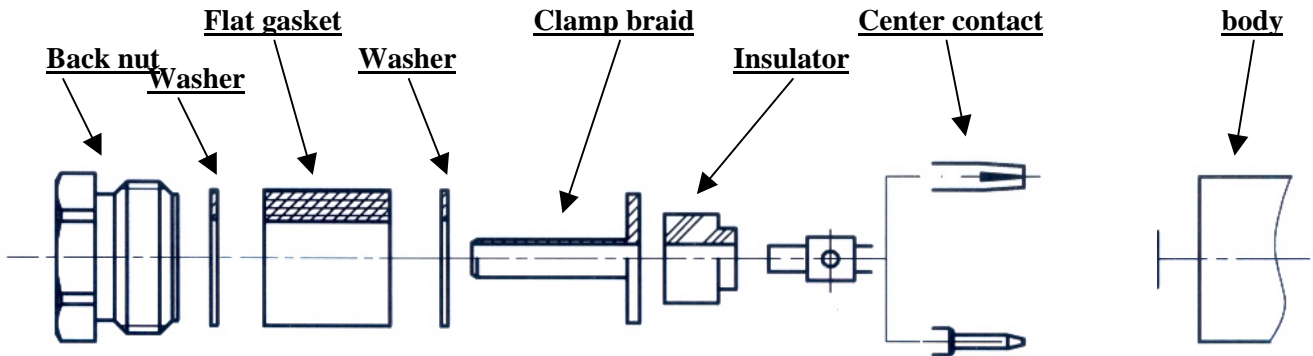
RADIALL®

STRAIGHT BULKHEAD JACK CLAMP TYPE

R112.303.000

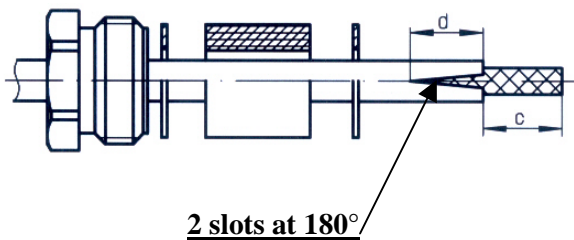
REAR MOUNT - CABLE 2/50 S

Series : SMC



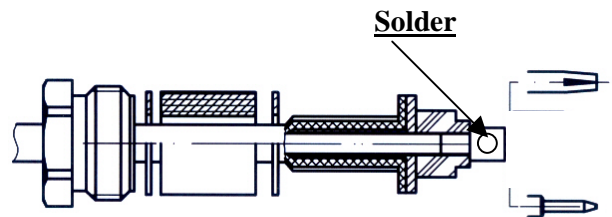
1

Slide the back nut, the washer 1, the flat gasket, the washer 2 onto the cable.
Strip the cable.
Cut 2 slots in the jacket if necessary.



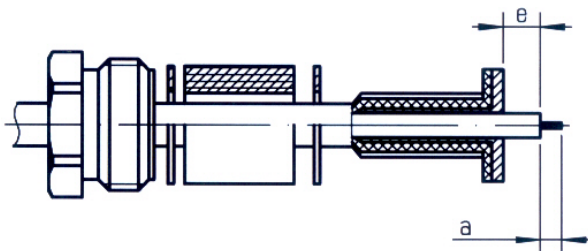
3

Slide the first insulator.
Slide the center contact and solder.



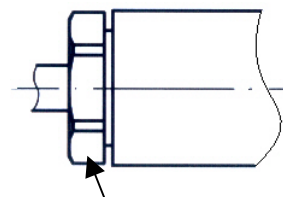
2

Slide the clamp braid sleeve.
Cut the braid flush with the clamp braid sleeve.
Strip off the diélectric.



4

Screw sub-assembly into the connector body with the adapted wrench.
Recommended coupling torque (see connector TDS).



Hex. : see connector TDS

Issue : 0422 T

In the effort to improve our products, we reserve the right to make changes judged to be necessary.

