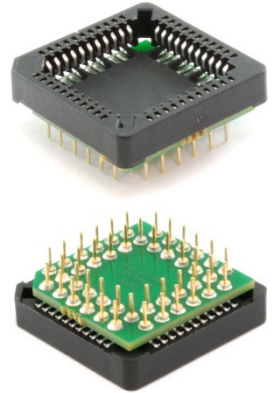


Datasheet revision 1.0

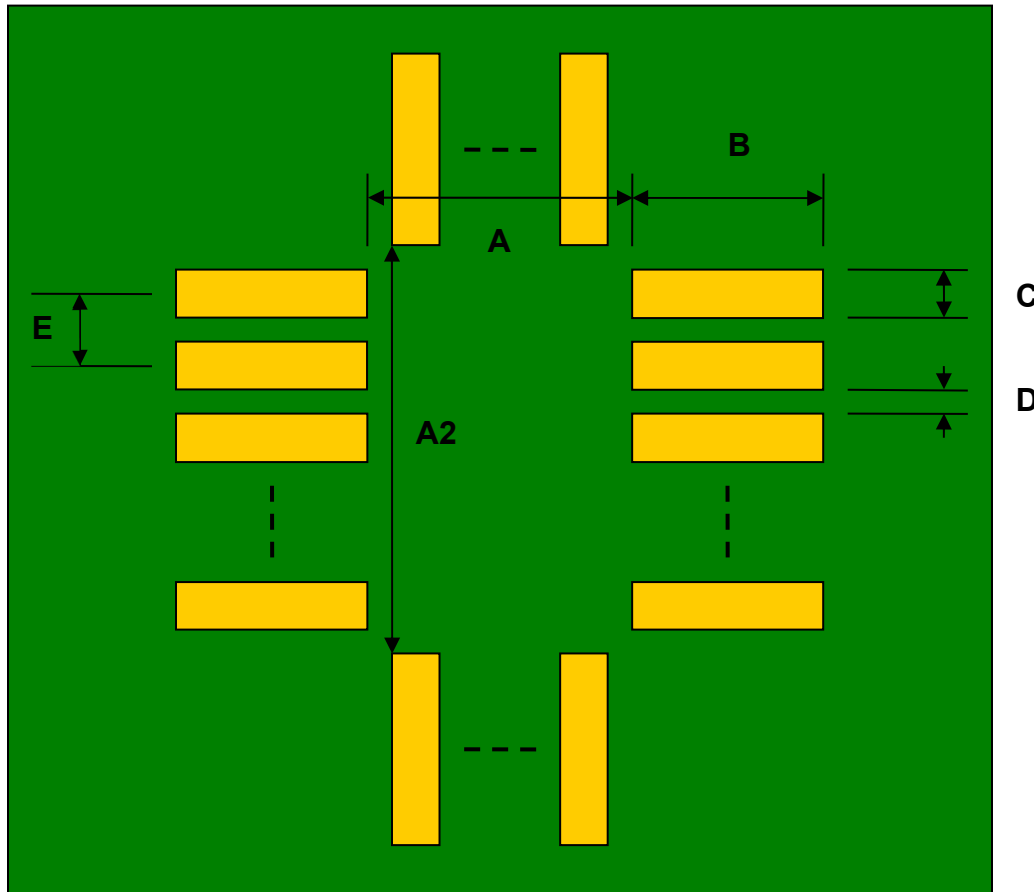
[www.Proto-Advantage.com](http://www.Proto-Advantage.com)

## PLCC-44/JLCC-44/LCC-44 (Pin 1 Out) Socket *Compact Series* to PGA-44 SMT Adapter (1.27 mm pitch, 17.5 x 17.5 mm body)

DIMENSIONS						
REF.	mm			inches		
	MIN.	TYP.	MAX.	MIN.	TYP.	MAX.
A		14.25				
A2		14.25				
B		2.75				
C		0.80				
D		0.47				
E		1.27				
F					0.1	
G					0.1	
H		0.46				
X					0.8	
Y					0.8	

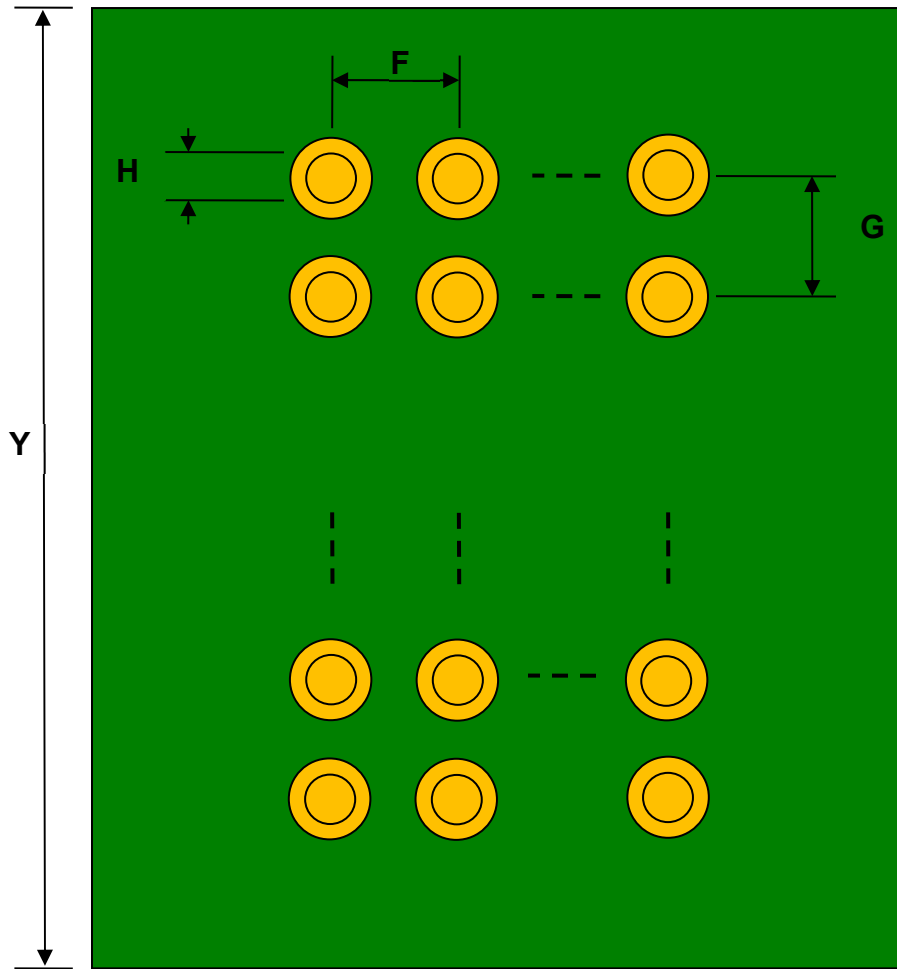


Top View (SMT Footprint)



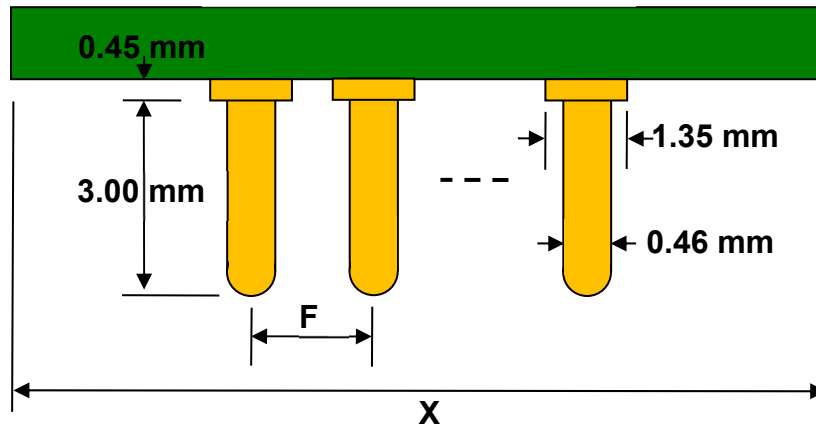
(Representative drawing only - not to scale)

### Bottom View (PGA Pins)



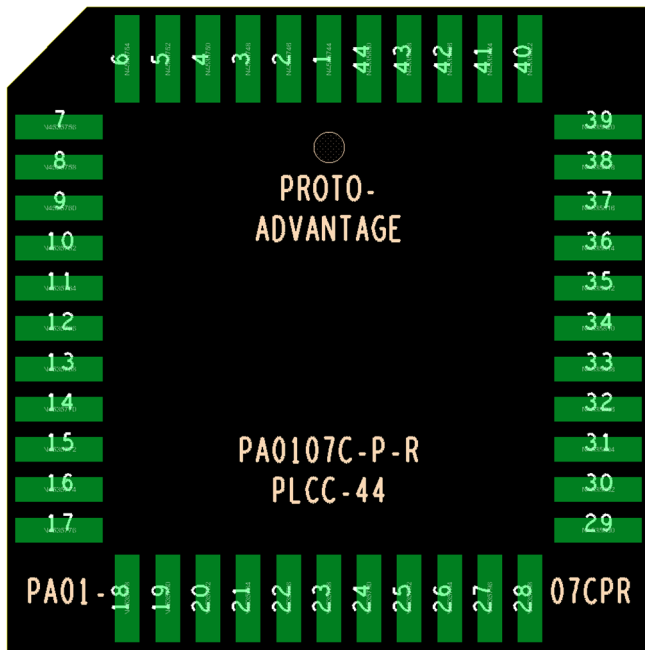
(Representative drawing only - not to scale)

### Side View (PGA Pins)



(Representative drawing only - not to scale)

### Adapter Pin Out (Top Side)



### Adapter Pin Out (Bottom Side) (X-Ray View)

