

Amphenol Taiwan Corporation

Product Change Notification

Part Numbers Concerned :	GSB4112XXXHR GSB4112312HR GSB4112313HR	Originator:	Debby Hung
Customer P/N:		Issue Date:	2021/07/13
Product Description:	USB 3.2, A, GEN2, CONNECTOR STANDARD A, STACKED, R/A DIP TYPE	PCN NO:	1210-21001147
Distribution:			

Product Change Notice

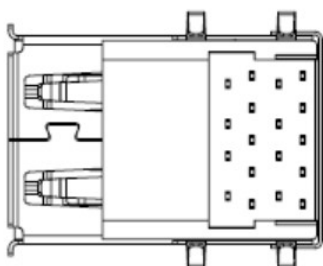
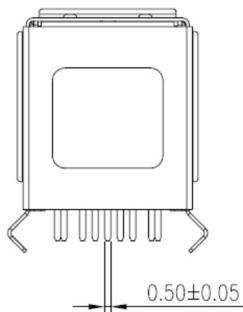
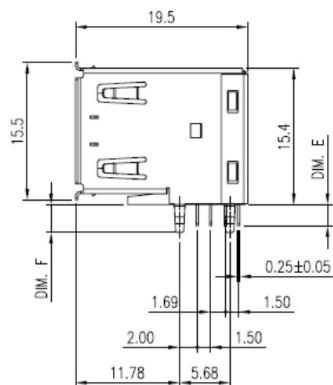
Background:

Tooling now is too old, and almost broken, and hard to keep manufacturing components. Amphenol has been duplicated the new tooling, and improved the design and material change.

Design change including:

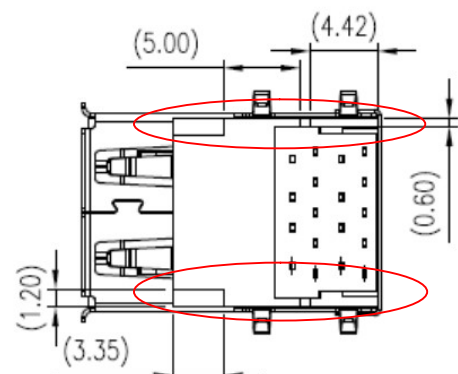
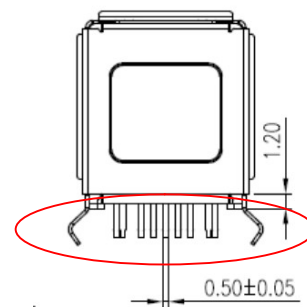
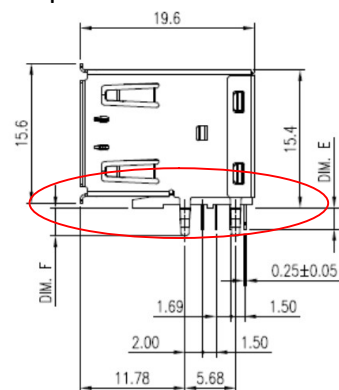
1. P/N: GSB4112~~3~~XXHR: REV:C → New P/N: GSB4112~~X~~XXHR:REV: D
2. The gap increasing between shell and PCB is to avoid short circuit and raise safety factor, and stand-off area change of housing is to avoid soldering overlapping.

Old version part:



New version part:

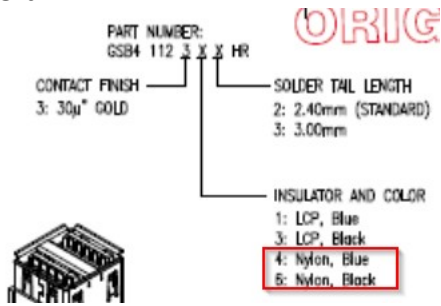
Update shell bottom outline



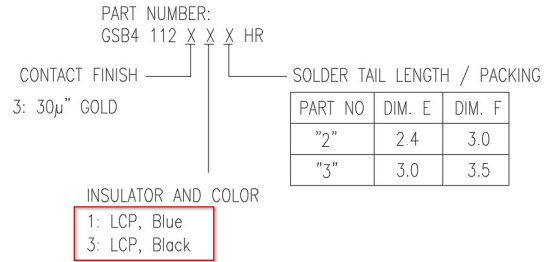
Amphenol Taiwan Corporation Product Change Notification

3. Obsolete P/N: GSB4112X4HR , & GSB4112X6HR.

Old

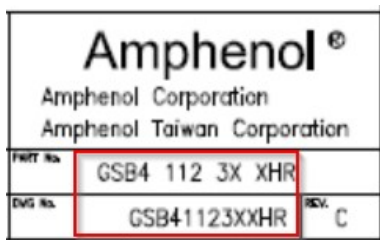


New

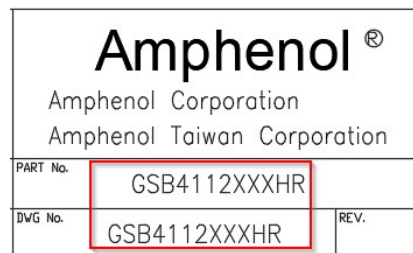


4. GSB4112XXXHR document number instead of GSB41123XXHR

Old

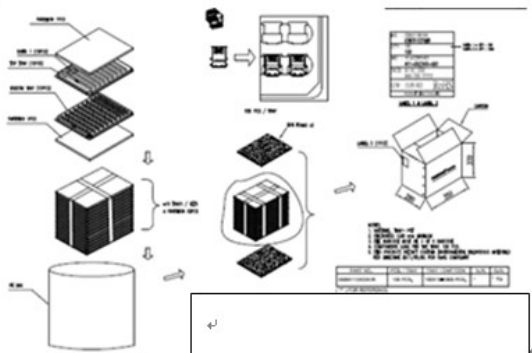


New

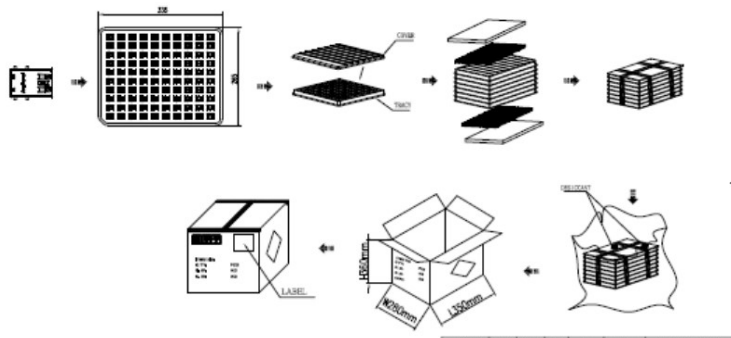


5. Update Packing drawing.

Old



New



Product Part Number Affected:
GSB41123XXHR part number system

Implementation date: 1st of October, 2021.
Running change

Recommended Action:

- Sales representative to inform customers for the drawing update.
- If customers need the new sample test, please come to product manager.
- Please update new document number **GSB4112XXXHR instead of GSB41123XXHR.**

Max Chang, Product Manager,
886-3-2647200 ext 273
Max.chang@amphenol.com.tw