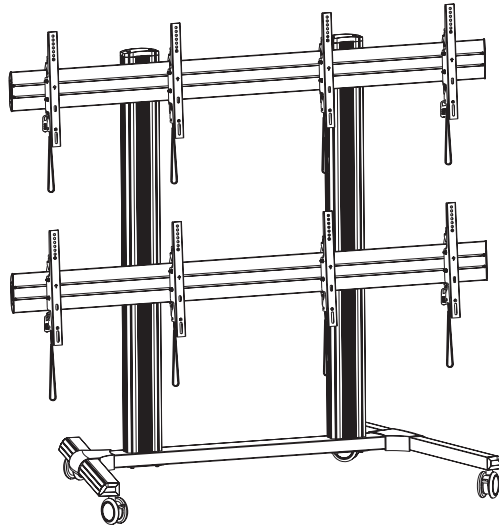


Owner's Manual

Heavy-Duty Quad-Monitor Mobile Video Wall

Model: DMCVW4555X4



200x200 / 300x300 / 400x200
400x400 / 600x400

55"
MAX



Este manual esta disponible en español en la página de Tripp Lite: www.tripplite.com

Ce manuel est disponible en français sur le site Web de Tripp Lite : www.tripplite.com

Русскоязычная версия настоящего руководства представлена на веб-сайте компании Tripp Lite по адресу: www.tripplite.com

Dieses Handbuch ist in deutscher Sprache auf der Tripp Lite-Website verfügbar: www.tripplite.com

PROTECT YOUR INVESTMENT!

Register your product for quicker service and ultimate peace of mind.

You could also win an ISOBAR6ULTRA surge protector—a \$100 value!

www.tripplite.com/warranty



TRIPP-LITE



1111 W. 35th Street, Chicago, IL 60609 USA • www.tripplite.com/support

Copyright © 2019 Tripp Lite. All rights reserved.

NOTE: Read the entire instruction manual before you start assembly and installation.



WARNING

- **Do not begin the installation until you have read and understood the instructions and warnings contained in this manual. If you have questions regarding any of the instructions or warnings, please visit www.tripplite.com/support.**
- **This product was designed to be installed and utilized ONLY as specified in this manual. Improper installation of this product may cause damage or serious injury.**
- **This product should only be installed by someone of good mechanical ability, with basic building experience and a full understanding of this instruction manual.**
- **Make sure the unit can safely support the combined load of the equipment and all attached hardware and components.**
- **Always use an assistant or mechanical lifting equipment to safely lift and position equipment.**
- **This product is intended for indoor use only. Using this product outdoors could lead to product failure and/or personal injury.**

Warranty and Product Registration

5-Year Limited Warranty

Seller warrants this product, if used in accordance with all applicable instructions, to be free from original defects in material and workmanship for a period of 5 years from the date of initial purchase. If the product should prove defective in material or workmanship within that period, Seller will repair or replace the product, in its sole discretion.

THIS WARRANTY DOES NOT APPLY TO NORMAL WEAR OR TO DAMAGE RESULTING FROM ACCIDENT, MISUSE, ABUSE OR NEGLIGENCE. SELLER MAKES NO EXPRESS WARRANTIES OTHER THAN THE WARRANTY EXPRESSLY SET FORTH HEREIN. EXCEPT TO THE EXTENT PROHIBITED BY APPLICABLE LAW, ALL IMPLIED WARRANTIES, INCLUDING ALL WARRANTIES OF MERCHANTABILITY OR FITNESS, ARE LIMITED IN DURATION TO THE WARRANTY PERIOD SET FORTH ABOVE; AND THIS WARRANTY EXPRESSLY EXCLUDES ALL INCIDENTAL AND CONSEQUENTIAL DAMAGES. (Some states do not allow limitations on how long an implied warranty lasts, and some states do not allow the exclusion or limitation of incidental or consequential damages, so the above limitations or exclusions may not apply to you. This warranty gives you specific legal rights, and you may have other rights which vary from jurisdiction to jurisdiction).

WARNING: The individual user should take care to determine prior to use whether this device is suitable, adequate or safe for the use intended. Since individual applications are subject to great variation, the manufacturer makes no representation or warranty as to the suitability or fitness of these devices for any specific application.

PRODUCT REGISTRATION

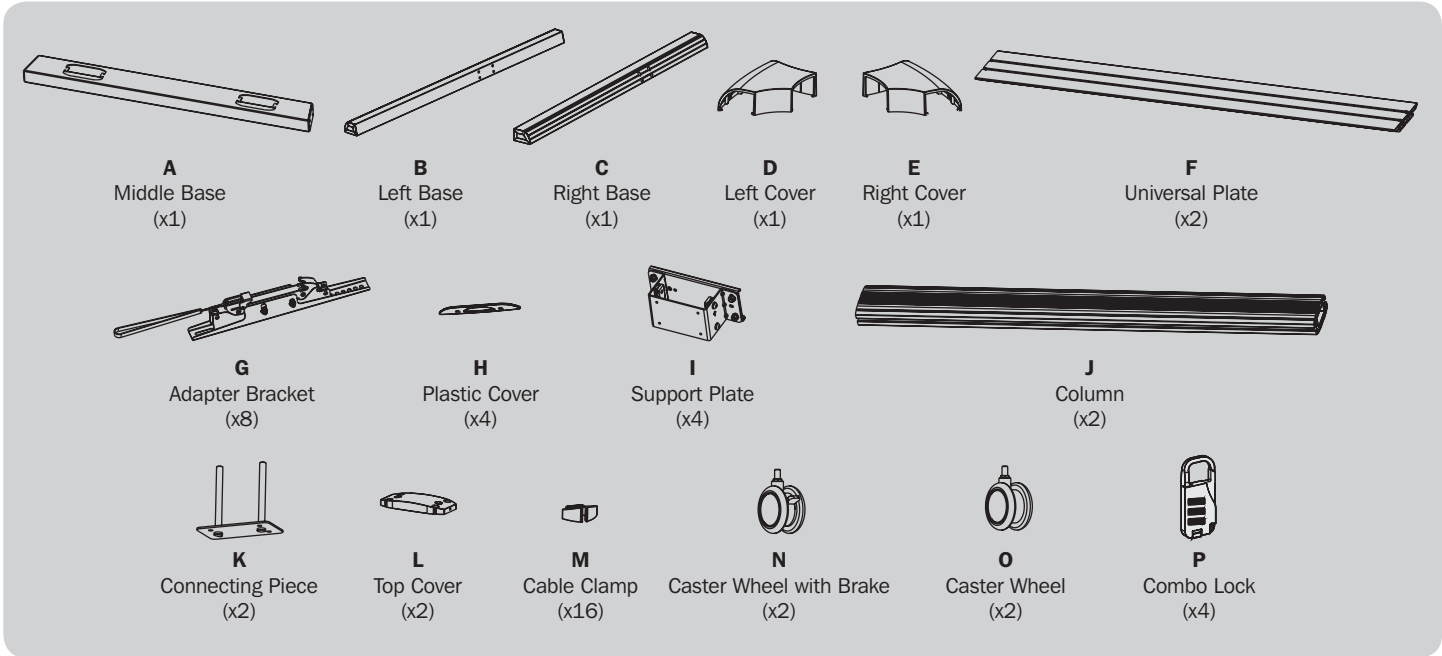
Visit www.tripplite.com/warranty today to register your new Tripp Lite product. You'll be automatically entered into a drawing for a chance to win a FREE Tripp Lite product!*

* No purchase necessary. Void where prohibited. Some restrictions apply. See website for details.

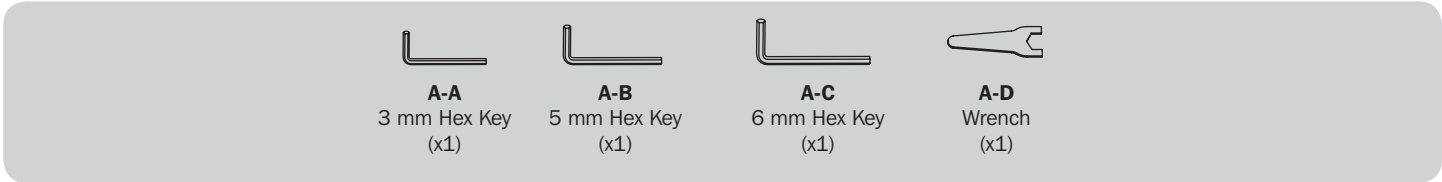
Tripp Lite has a policy of continuous improvement. Specifications are subject to change without notice. Photos and illustrations may differ slightly from actual products.

Component Checklist

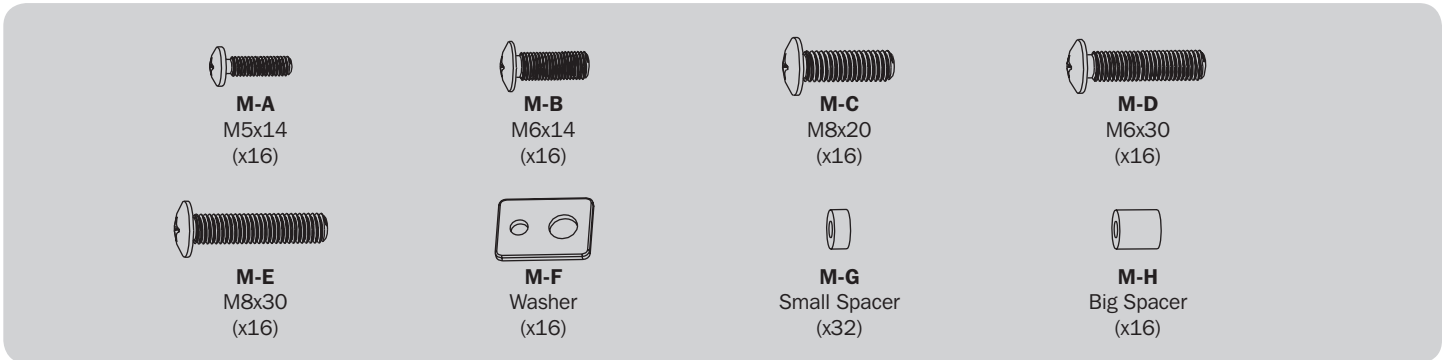
IMPORTANT: Ensure you have received all parts according to the component checklist prior to installing. If any parts are missing or faulty, visit www.tripplite.com/support for service.



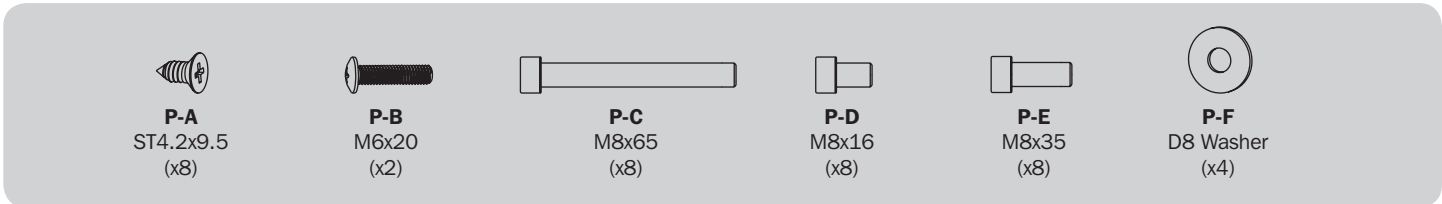
Package A



Package M

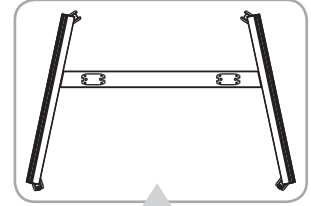
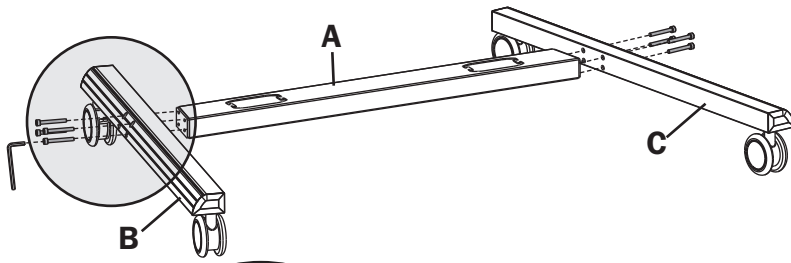


Package P

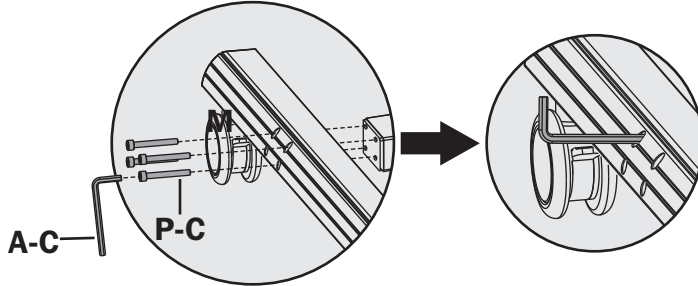


Assembly

1 Assemble the Base

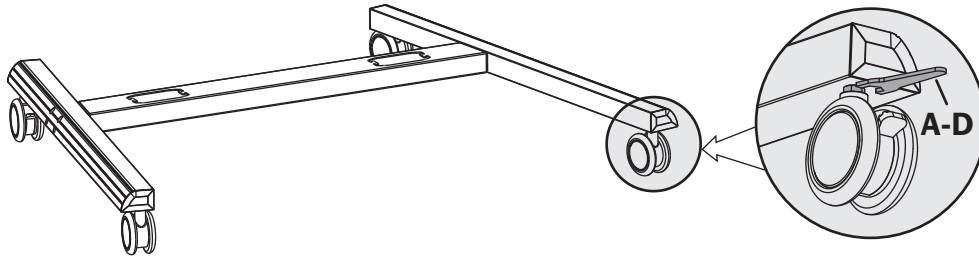


Note: Position base assembly with wheels facing forward.



Each caster can be adjusted independently for fine tuning. Using the wrench (A-D), slightly turn each caster nut to lower or raise the base.

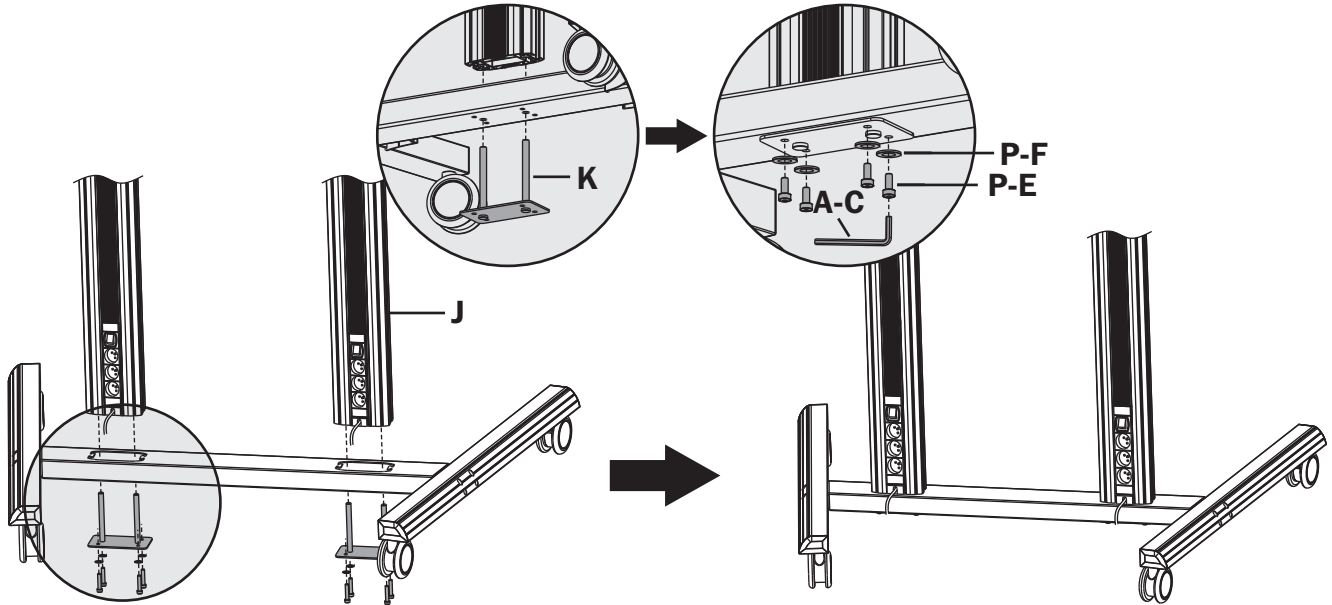
Note: Lock the brakes on the casters to avoid any sudden movements during installation.



Using M8x65 screws (P-C) and the 6 mm hex key (A-C), attach the left and right base to the middle base.

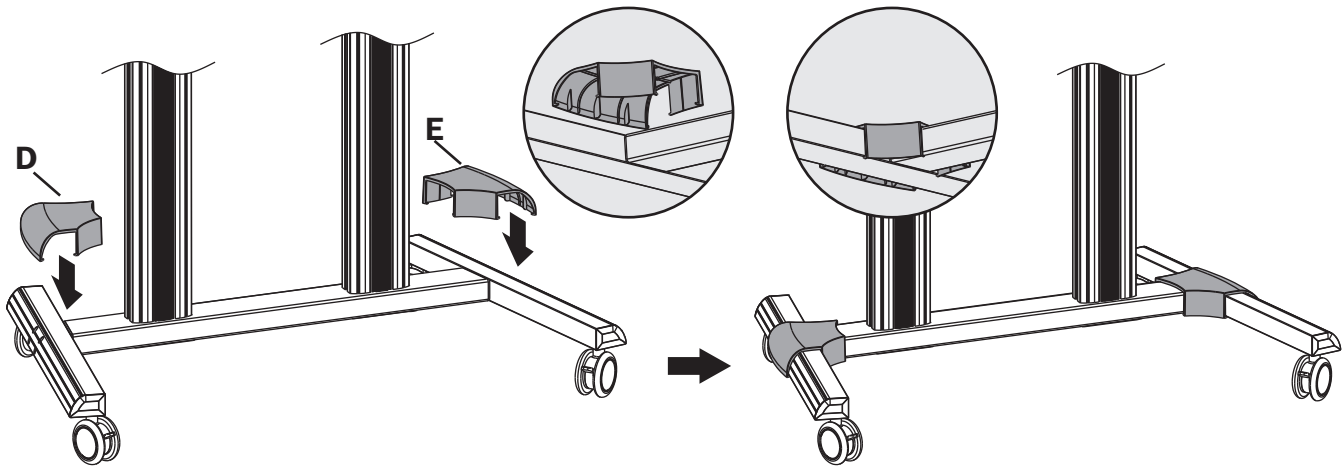
Assembly

2 Attach the Columns to the Base



Insert the two connecting pieces (K) to attach the columns (J) to the base. Use M8x35 screws (P-E), D8 washers (P-F) and the 6 mm hex key (A-C) to secure the connecting pieces and columns to the base.

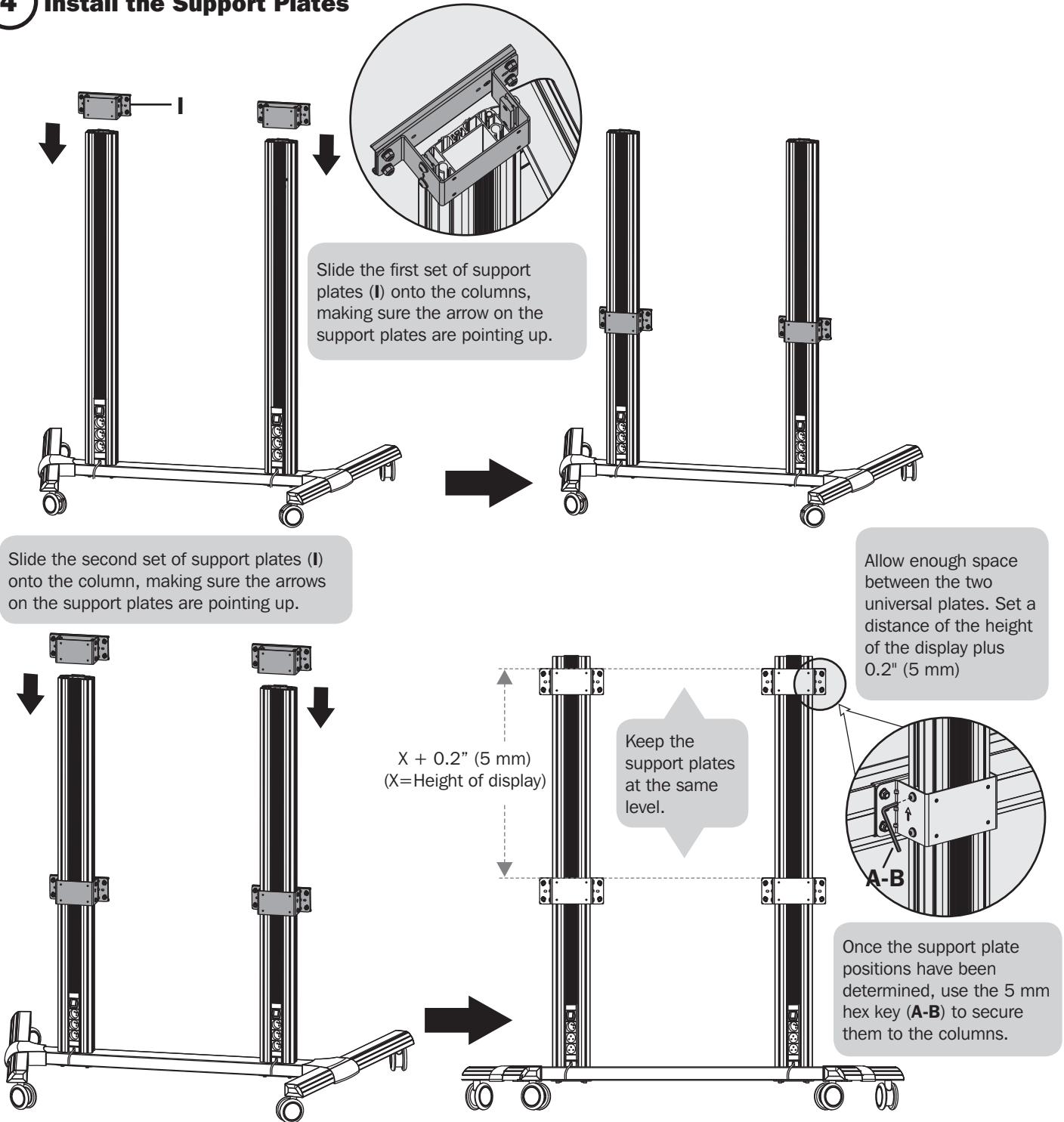
3 Install the Covers



Attach the left cover (D) and right cover (E) to the base.

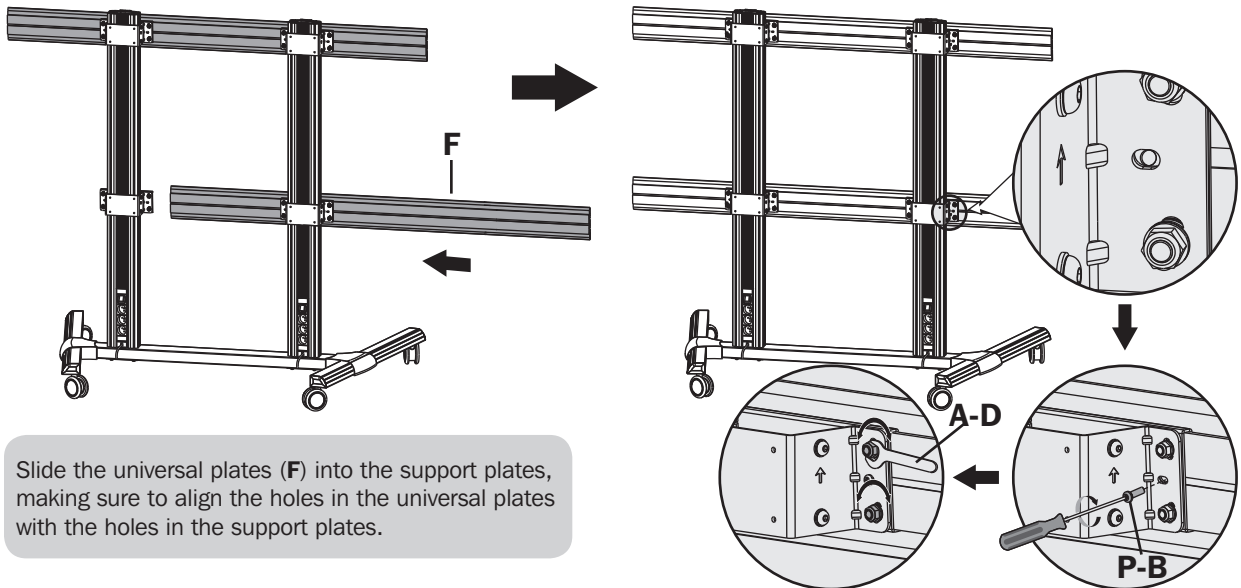
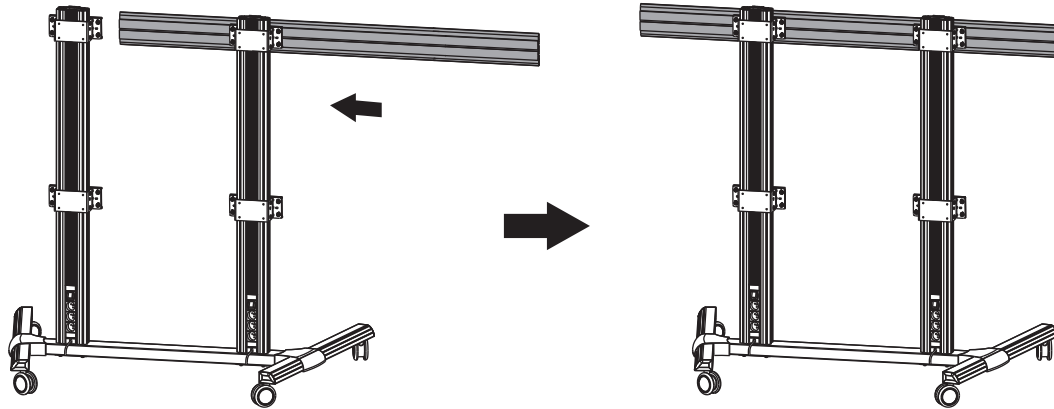
Assembly

4 Install the Support Plates

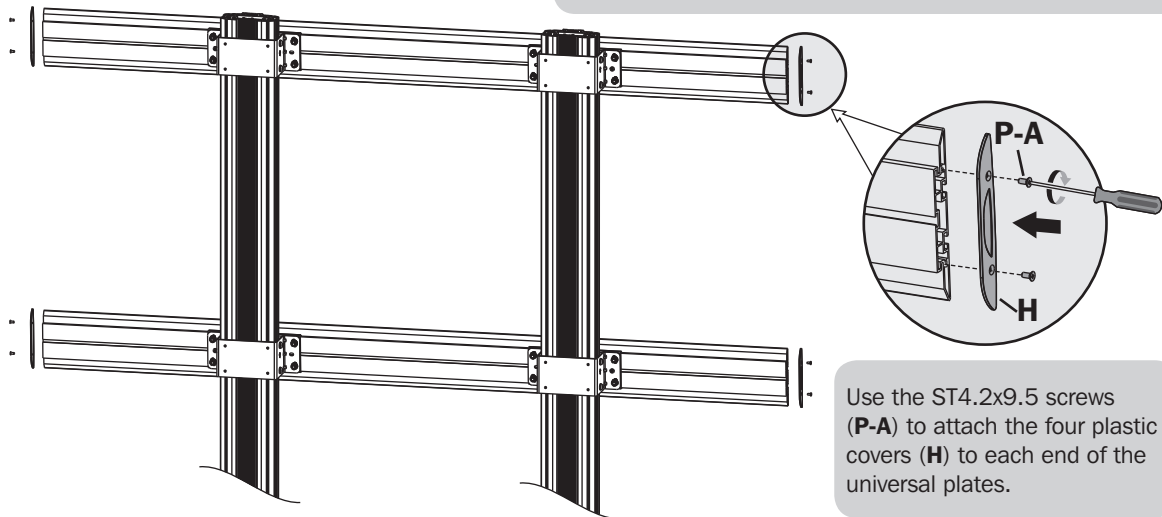


Assembly

5 Install the Universal Plates

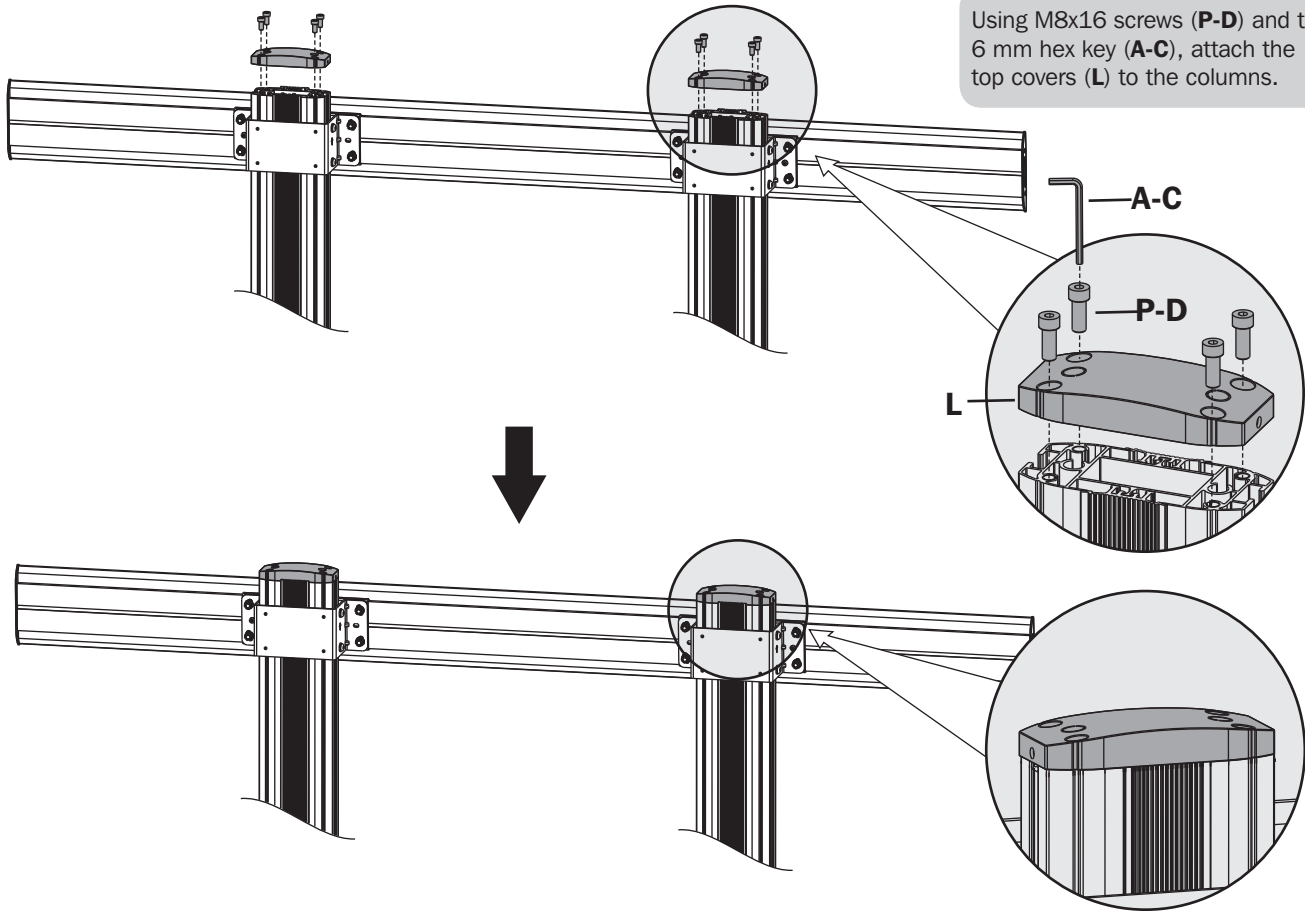


Use the M6x20 screws (P-B) and wrench (A-D) to secure the universal plates to the support plates. **Do not over-tighten the screws.**

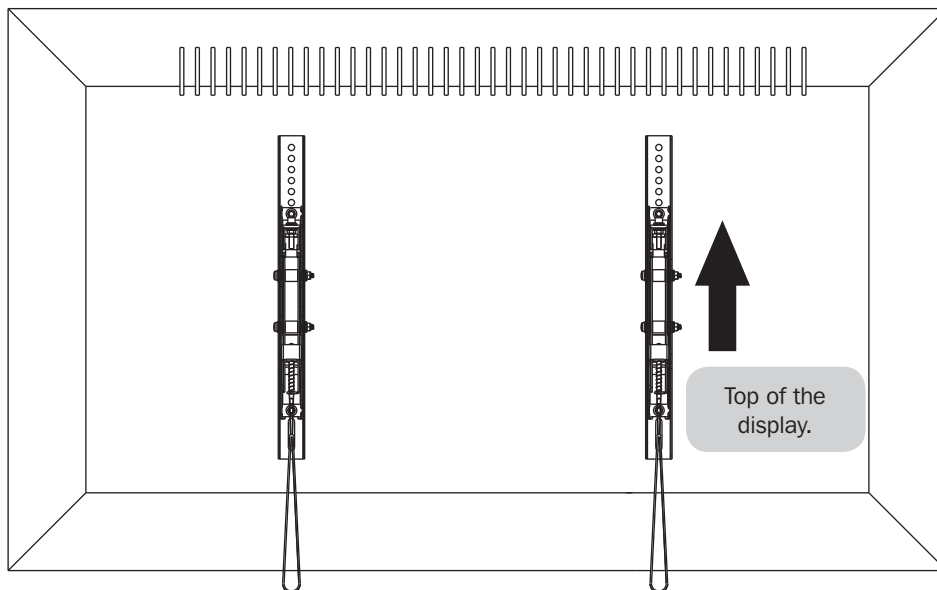


Assembly

6 Install the Top Covers

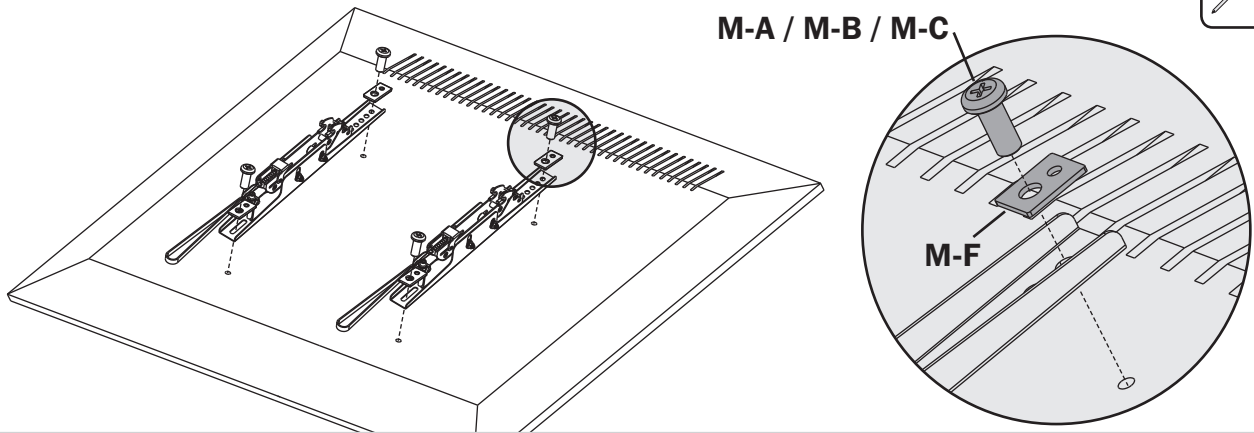
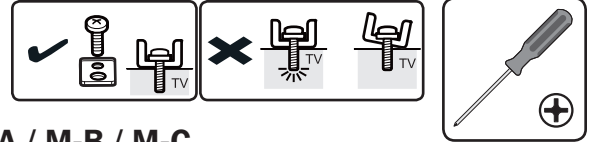


7 Install the Adapter Brackets



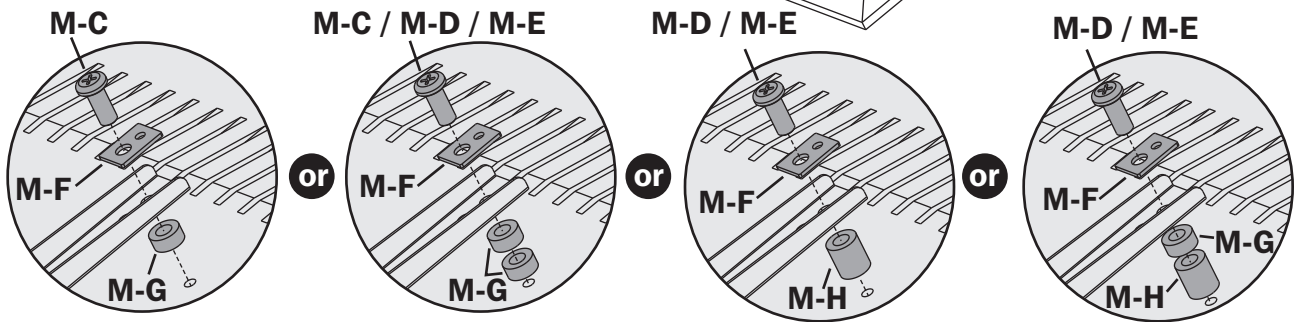
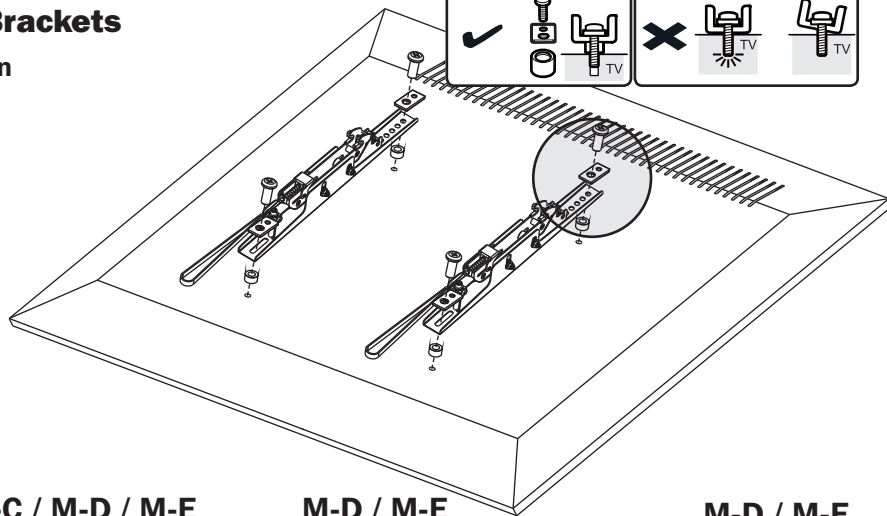
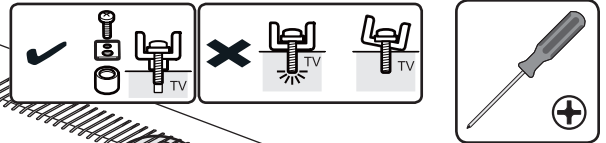
Assembly

7a Install the Adapter Brackets For Flat-Back Screens



- Note:** Choose appropriate screws and spacers according to the type of screens.
- Position the adapter brackets as close as possible to the center of the display.
 - Screw the adapter brackets onto the display.
 - Repeat procedure for the second display.
- !** Tighten all screws, but do not over-tighten.

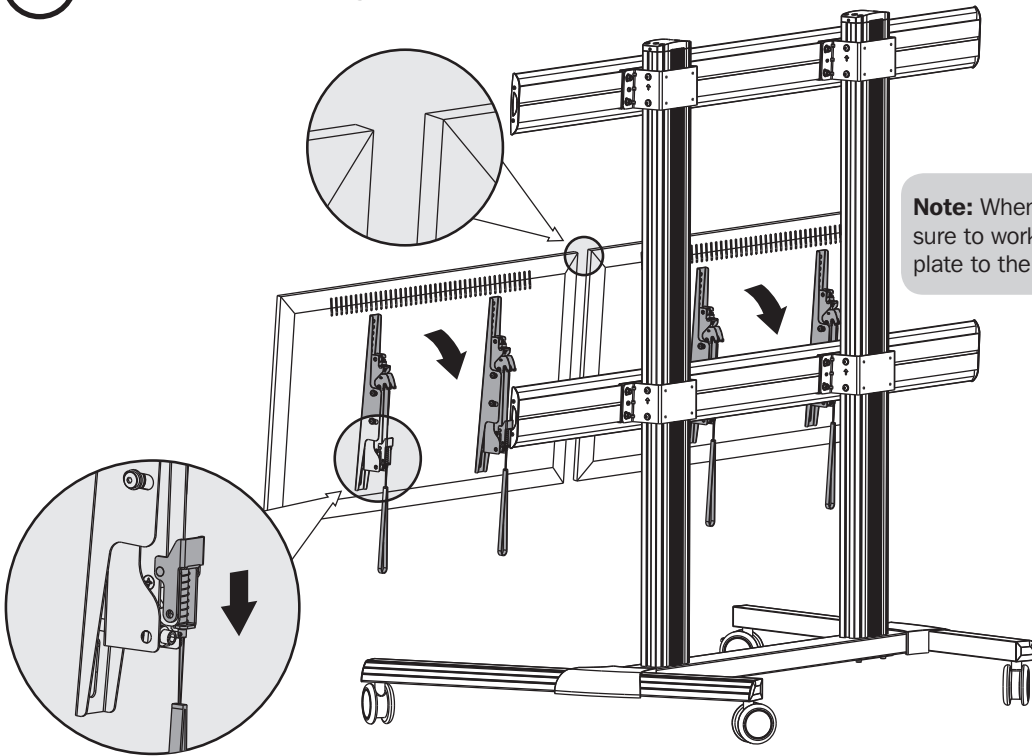
7b Install the Adapter Brackets For Recessed-Back Screen or to Access A/V Inputs



- Note:** Choose appropriate screws, washers and spacers (if necessary) according to the type of screen.
- Position the adapter brackets as close as possible to the center of the display.
 - Screw the adapter brackets onto the display.
 - Repeat procedure for the second display.
- !** Tighten all screws, but do not over-tighten.

Assembly

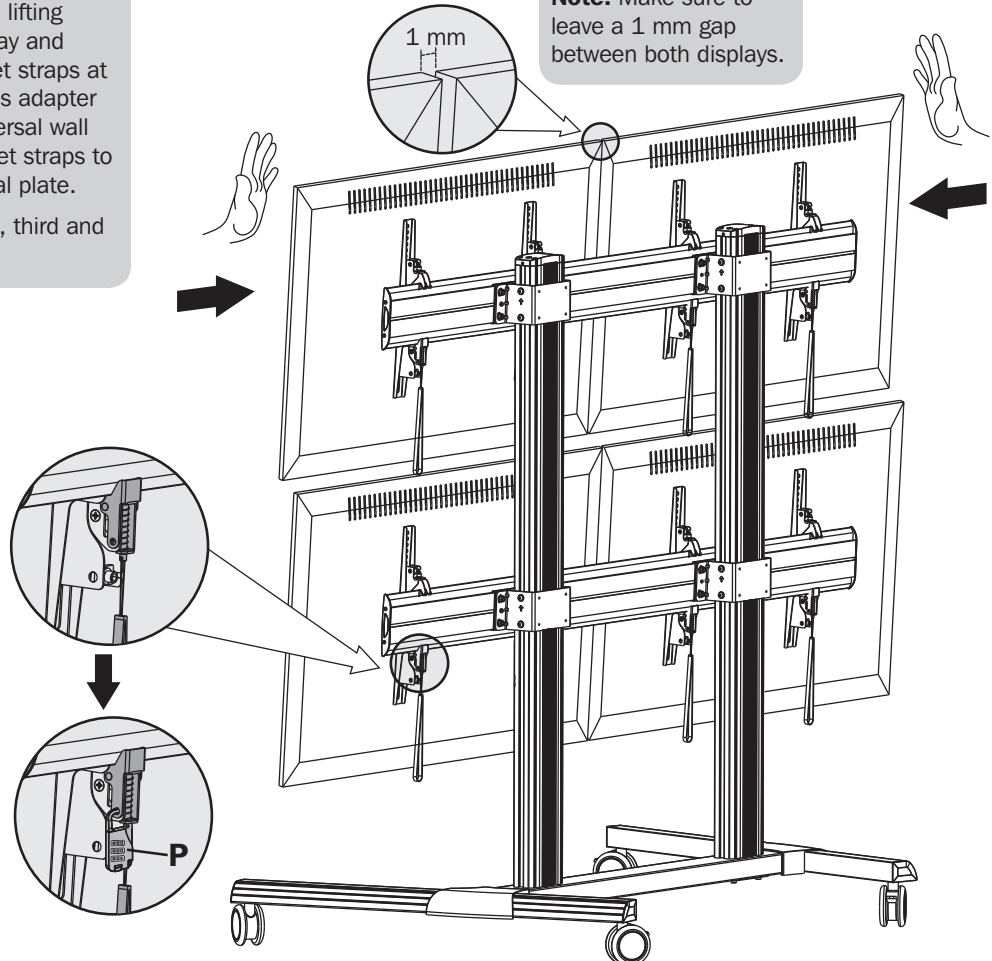
8 Attach the Displays onto the Universal Plates



Note: When installing the displays, make sure to work from the bottom universal plate to the top universal plate.

- Using an assistant or mechanical lifting equipment, carefully lift the display and pull down the two adapter bracket straps at the same time. Hook the display's adapter brackets over the top of the universal wall plate. Release the adapter bracket straps to secure the display to the universal plate.
- Repeat procedure for the second, third and fourth displays.

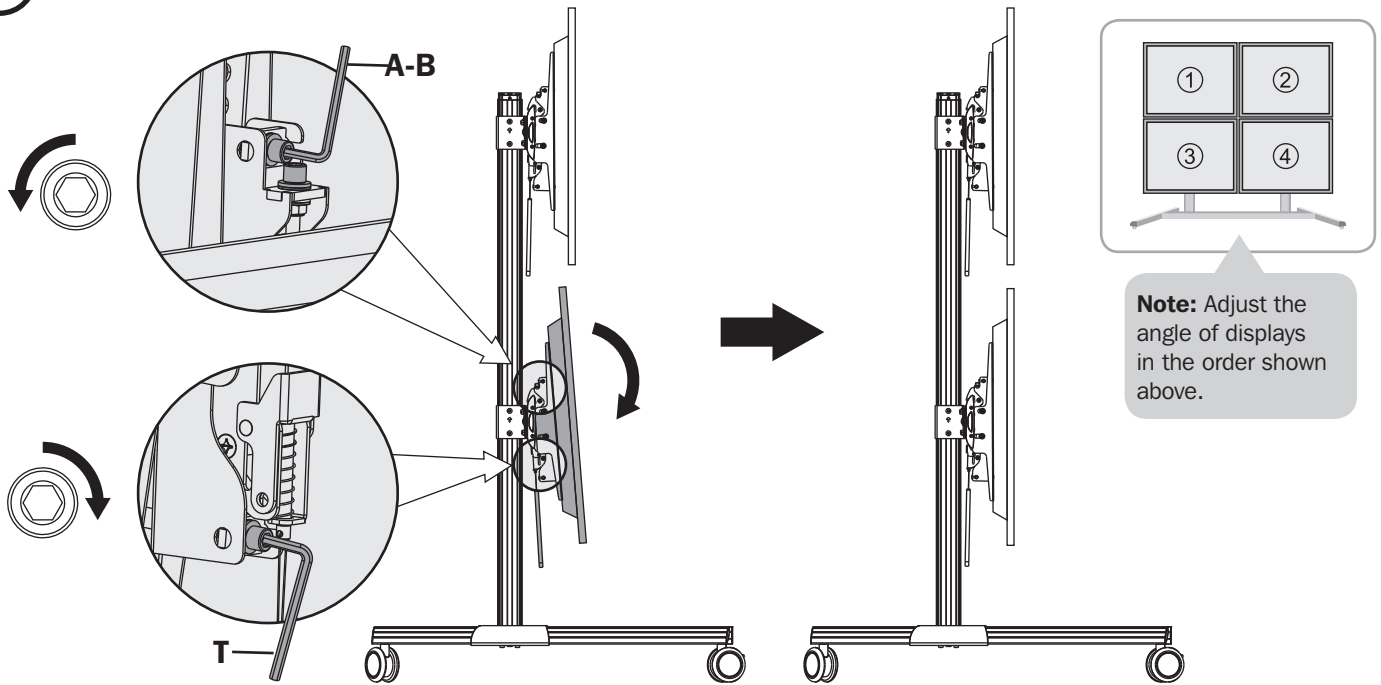
Note: Make sure to leave a 1 mm gap between both displays.



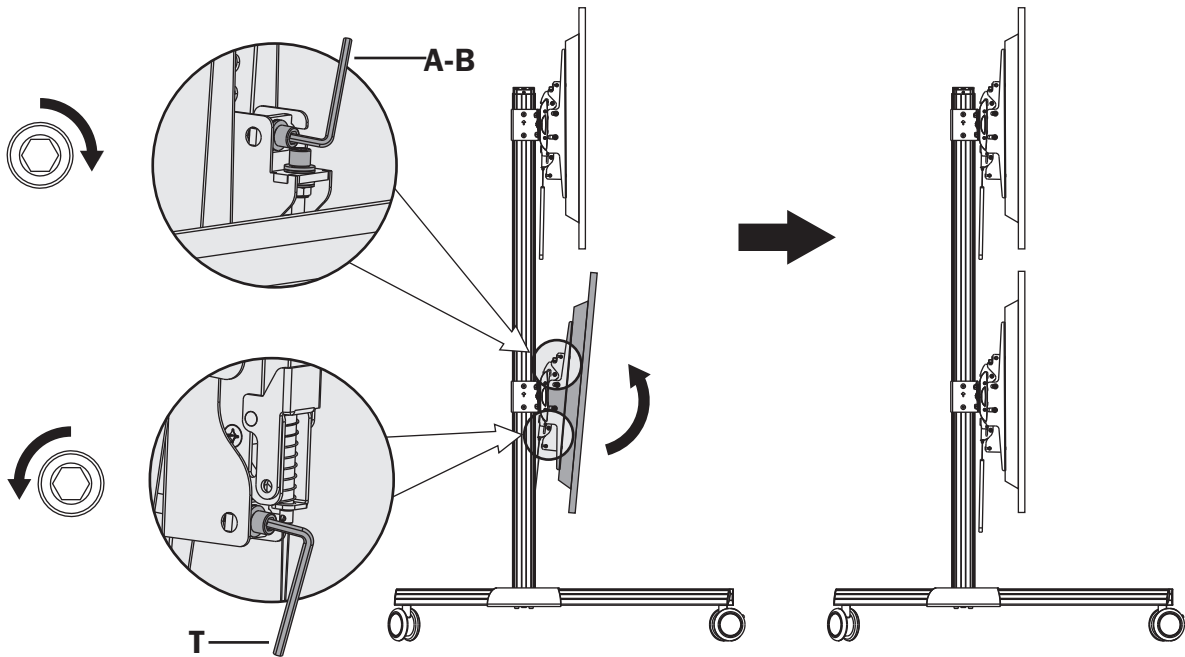
Use the combo locks (P) to protect the displays from tampering and theft.

Assembly

9 Micro-Adjustment



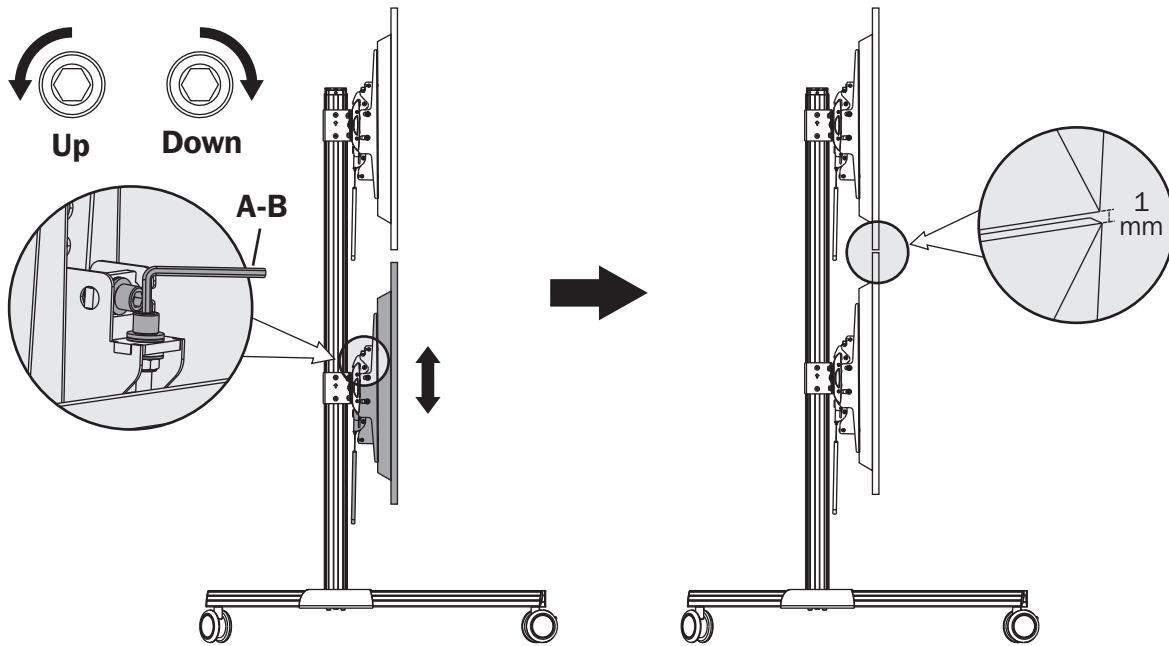
If the display tilts upward, adjust using the 5 mm hex key (**A-B**), as shown above.



If the display tilts downward, adjust using the 5 mm hex key (**A-B**), as shown above.

Assembly

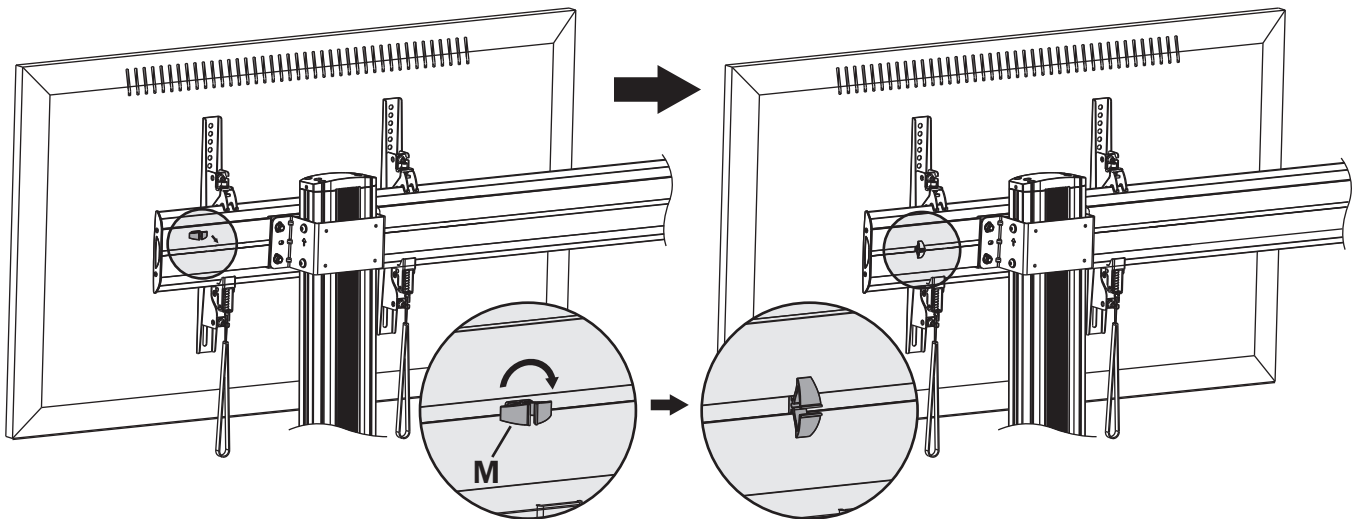
9 Micro-Adjustment



To move the displays up or down, adjust using the 5 mm hex key (A-B), as shown above.

Note: Make sure to leave a 1 mm gap between the upper and lower displays.

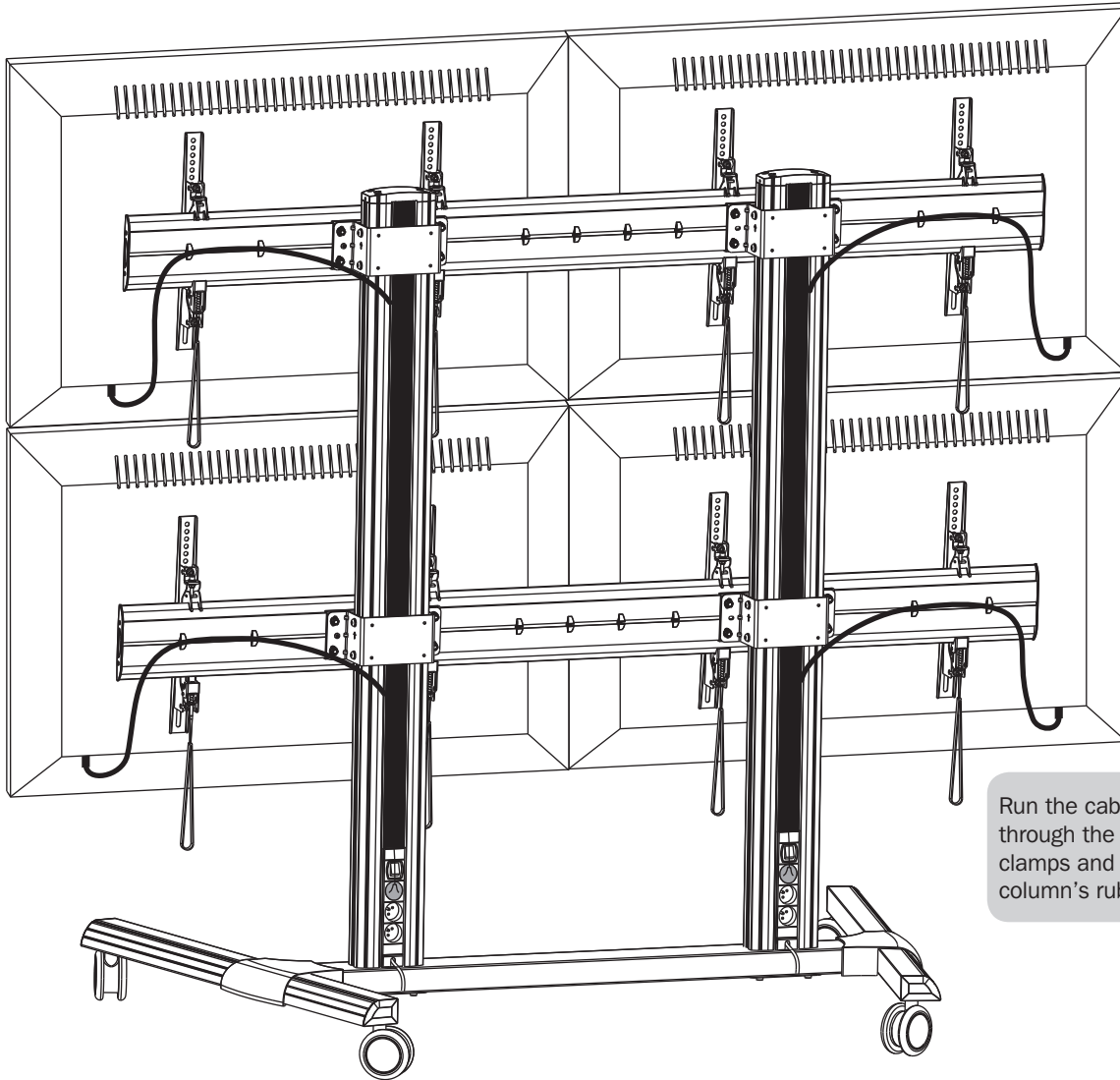
10 Cable Management



Insert the cable clamps (M) horizontally into the universal plates' slots, then turn the cable clamps vertically to secure them.

Assembly

10 Cable Management



Run the cables through the cable clamps and the column's rubber strip.

Maintenance

- Check that the bracket is secure and safe to use at regular intervals (at least every three months).
- Please visit www.tripplite.com/support if you have any questions.



1111 W. 35th Street, Chicago, IL 60609 USA • www.tripplite.com/support