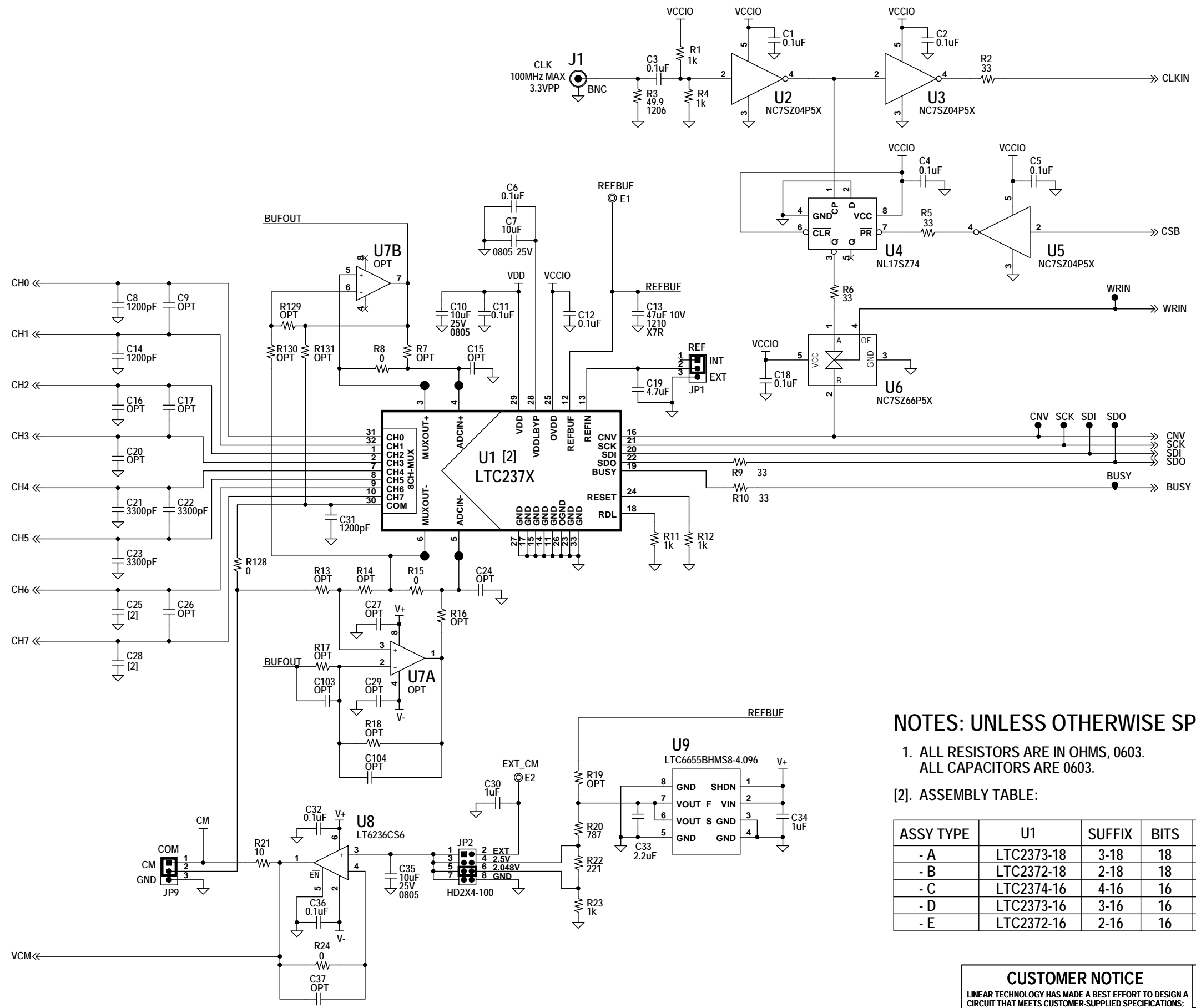


REVISION HISTORY				
ECO	REV	DESCRIPTION	APPROVED	DATE
	3	PRODUCTION	GUY H.	01-04-17



**NOTES: UNLESS OTHERWISE SPECIFIED**

- 1. ALL RESISTORS ARE IN OHMS, 0603.
- ALL CAPACITORS ARE 0603.

[2]. ASSEMBLY TABLE:

ASSY TYPE	U1	SUFFIX	BITS	MSPS	R79	U28 (P4)	R118,R119 (P4)	C25,C28
- A	LTC2373-18	3-18	18	1.0	300	LTC6362CMS8	35.7	1500pF
- B	LTC2372-18	2-18	18	0.5	300	LTC6362CMS8	35.7	1500pF
- C	LTC2374-16	4-16	16	1.6	OPT	LTC6363IMS8	100	180pF
- D	LTC2373-16	3-16	16	1.0	OPT	LTC6362CMS8	35.7	1500pF
- E	LTC2372-16	2-16	16	0.5	OPT	LTC6362CMS8	35.7	1500pF

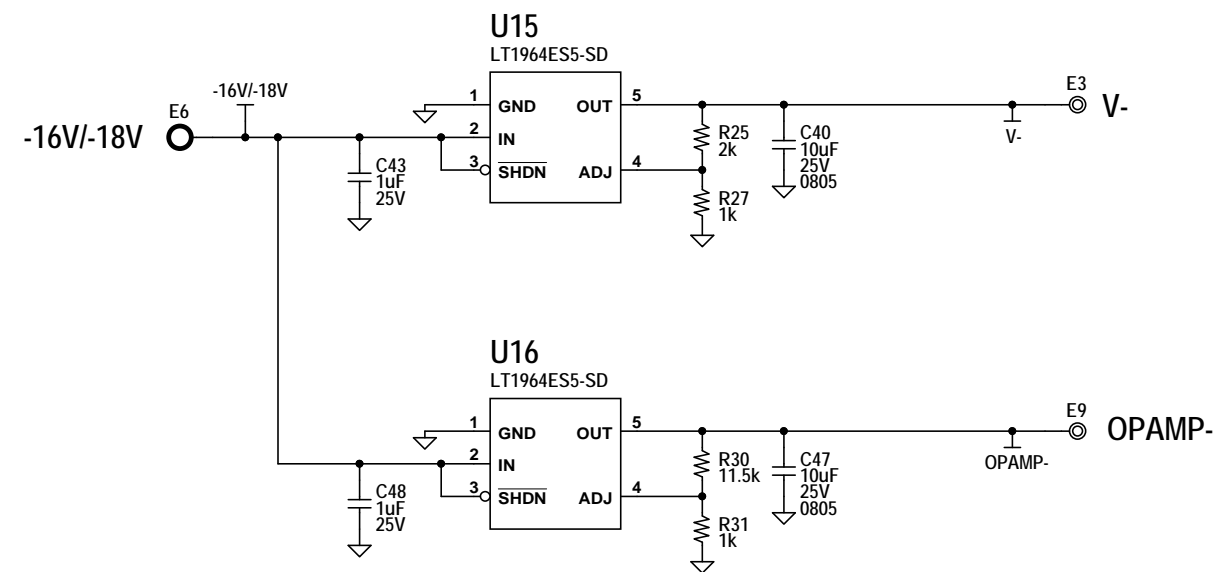
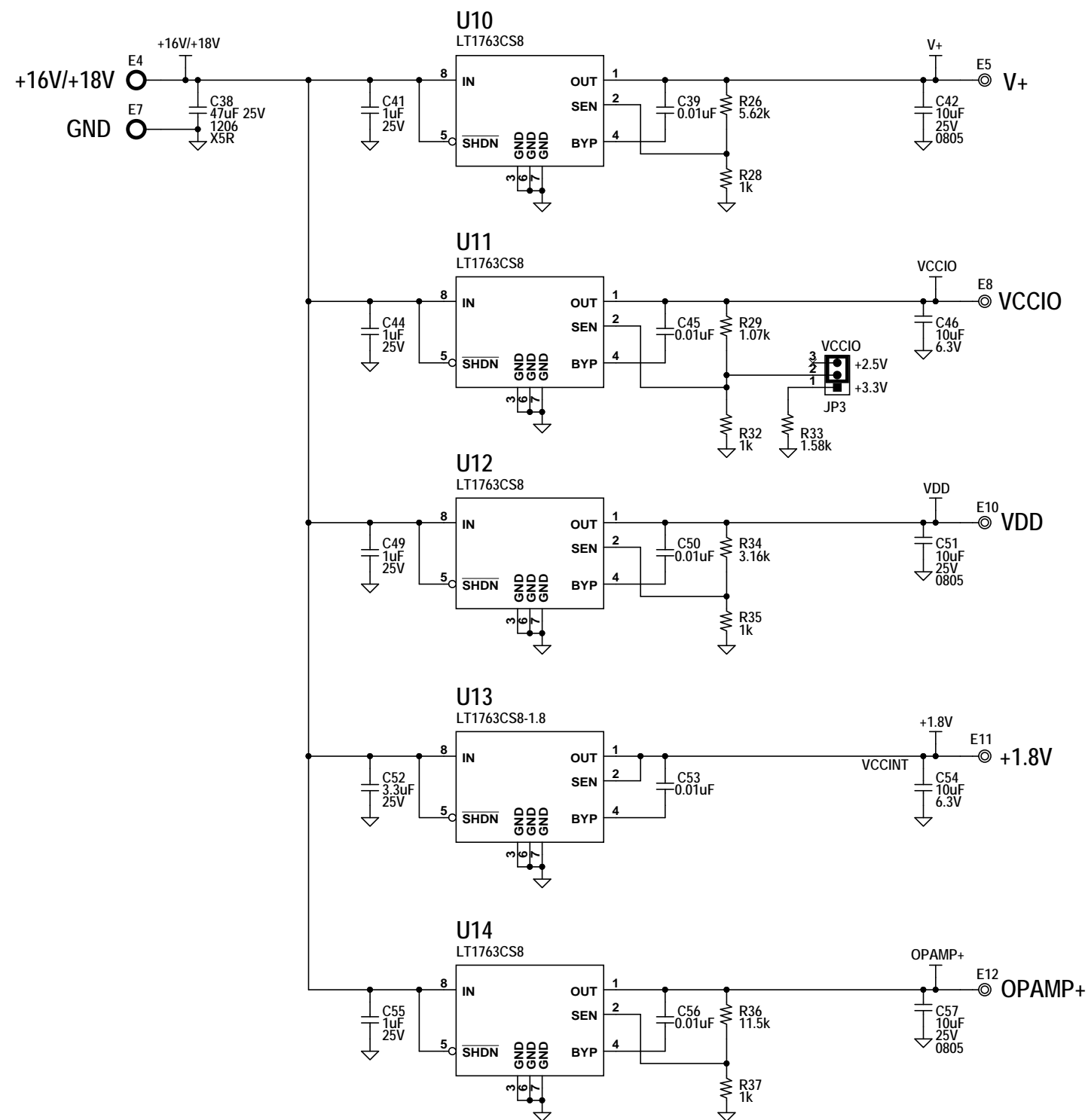
**CUSTOMER NOTICE**  
 LINEAR TECHNOLOGY HAS MADE A BEST EFFORT TO DESIGN A CIRCUIT THAT MEETS CUSTOMER-SUPPLIED SPECIFICATIONS; HOWEVER, IT REMAINS THE CUSTOMER'S RESPONSIBILITY TO VERIFY PROPER AND RELIABLE OPERATION IN THE ACTUAL APPLICATION. COMPONENT SUBSTITUTION AND PRINTED CIRCUIT BOARD LAYOUT MAY SIGNIFICANTLY AFFECT CIRCUIT PERFORMANCE OR RELIABILITY. CONTACT LINEAR TECHNOLOGY APPLICATIONS ENGINEERING FOR ASSISTANCE.

APPROVALS	
PCB DES.	KIM T.
APP ENG.	GUY H.
SCALE = NONE	

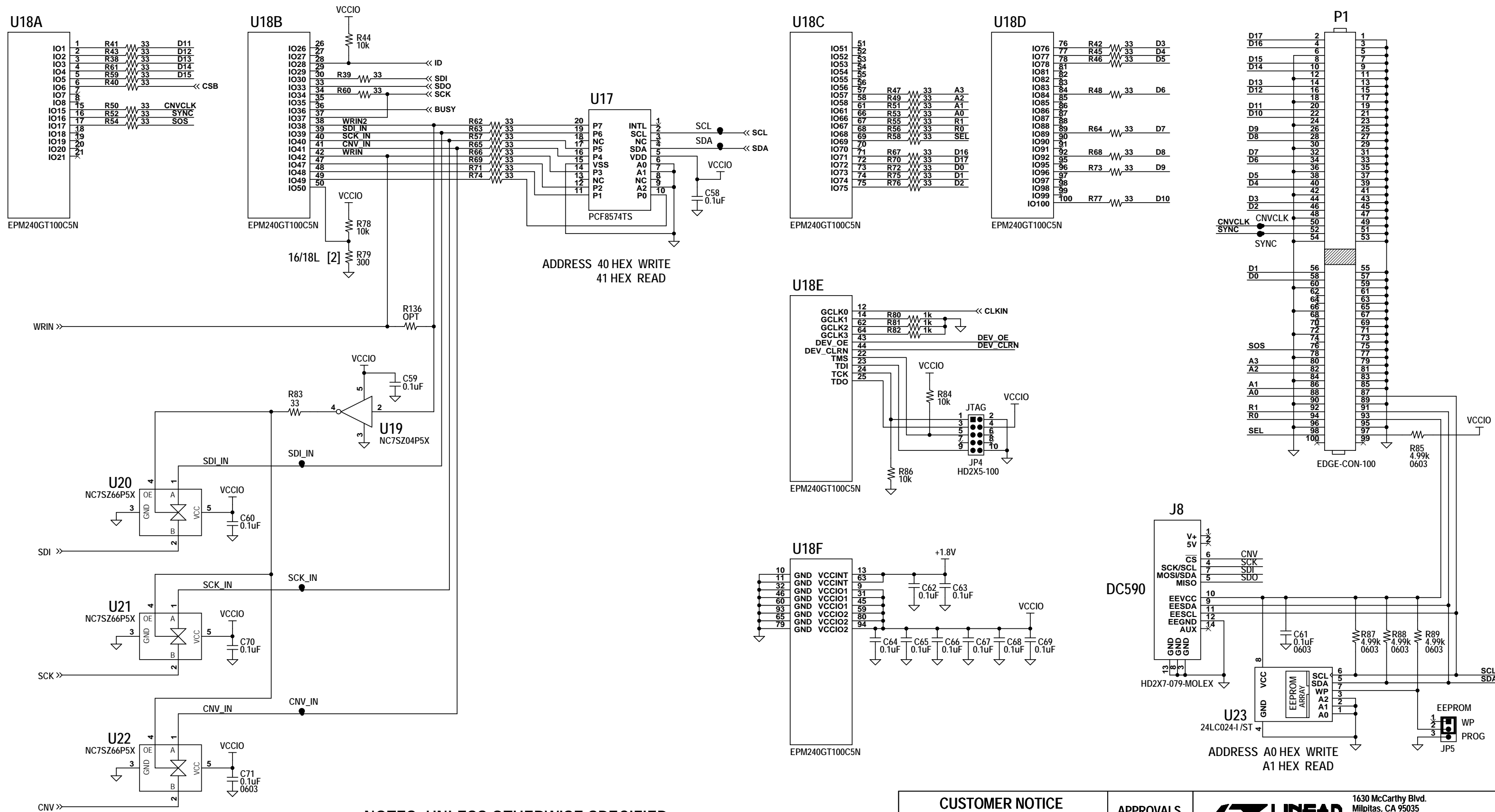
**LINEAR TECHNOLOGY**  
 1630 McCarthy Blvd.  
 Milpitas, CA 95035  
 Phone: (408)432-1900 www.linear.com  
 Fax: (408)434-0507  
 LTC Confidential-For Customer Use Only

TITLE: SCHEMATIC  
**8-CHANNEL, HIGH SPEED, SERIAL, SAR, ADC**

SIZE	IC NO.	LTC237XCUH-18/16 FAMILY	REV.
B		DEMO CIRCUIT 2071A	3
DATE:	Wednesday, January 04, 2017		SHEET 1 OF 4



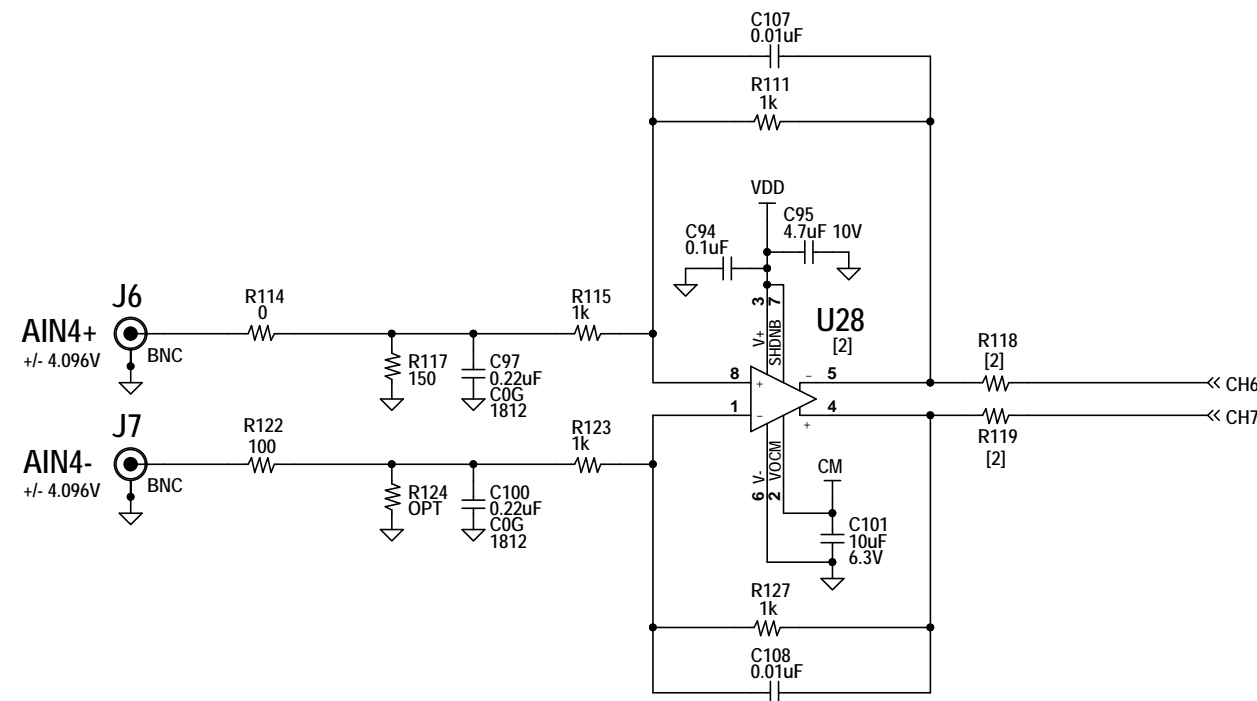
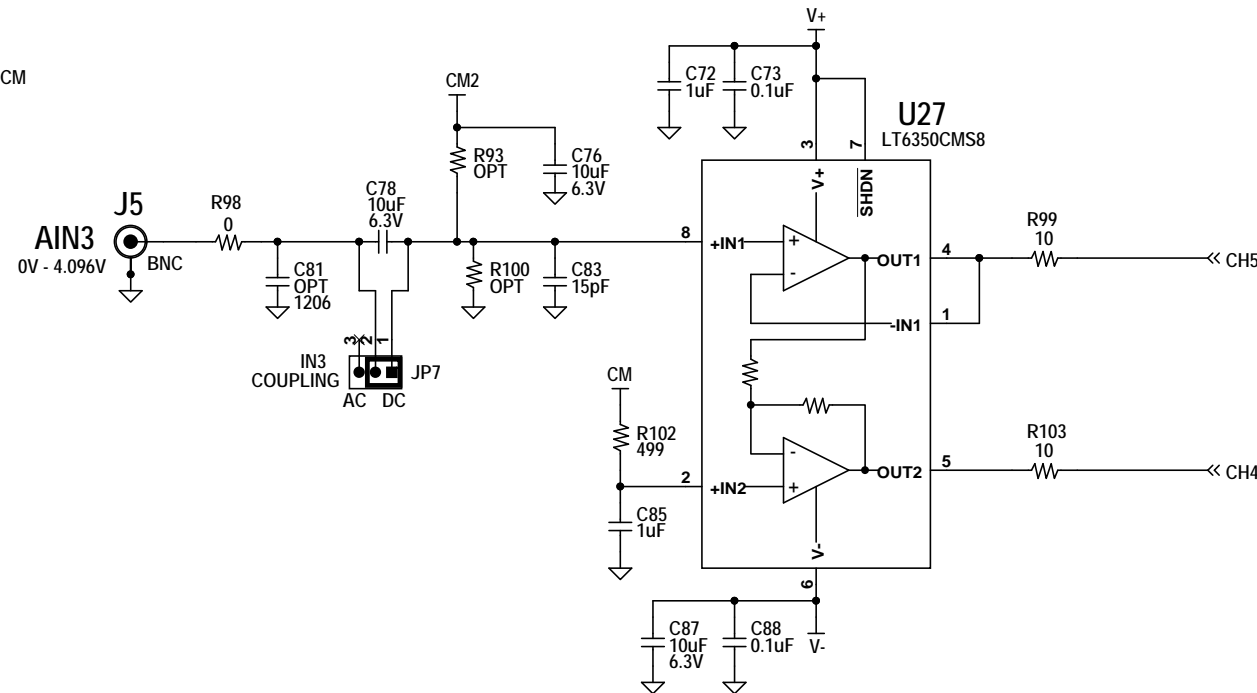
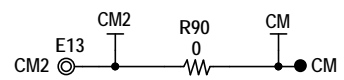
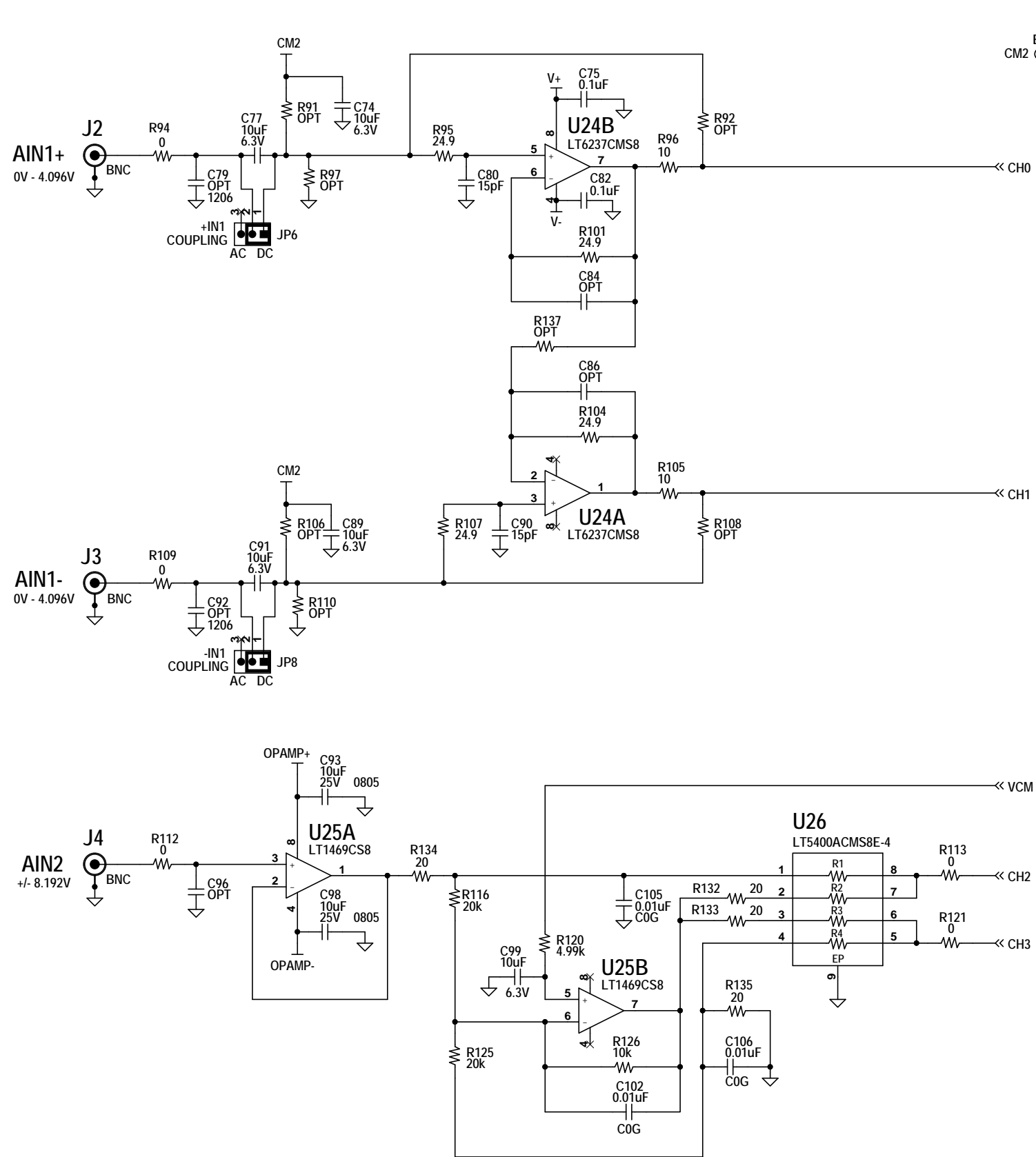
<b>CUSTOMER NOTICE</b> LINEAR TECHNOLOGY HAS MADE A BEST EFFORT TO DESIGN A CIRCUIT THAT MEETS CUSTOMER-SUPPLIED SPECIFICATIONS; HOWEVER, IT REMAINS THE CUSTOMER'S RESPONSIBILITY TO VERIFY PROPER AND RELIABLE OPERATION IN THE ACTUAL APPLICATION. COMPONENT SUBSTITUTION AND PRINTED CIRCUIT BOARD LAYOUT MAY SIGNIFICANTLY AFFECT CIRCUIT PERFORMANCE OR RELIABILITY. CONTACT LINEAR TECHNOLOGY APPLICATIONS ENGINEERING FOR ASSISTANCE.		<b>APPROVALS</b> PCB DES. KIM T. APP ENG. GUY H.		1630 McCarthy Blvd. Milpitas, CA 95035 Phone: (408)432-1900 www.linear.com Fax: (408)434-0507 LTC Confidential-For Customer Use Only	
		TITLE: SCHEMATIC <b>8-CHANNEL, HIGH SPEED, SERIAL, SAR, ADC</b>			
THIS CIRCUIT IS PROPRIETARY TO LINEAR TECHNOLOGY AND SUPPLIED FOR USE WITH LINEAR TECHNOLOGY PARTS.		SCALE = NONE	SIZE B	IC NO. LTC237XCUH-18/16 FAMILY <b>DEMO CIRCUIT 2071A</b>	REV. 3
DATE: Wednesday, January 04, 2017			SHEET 2 OF 4		



**NOTES: UNLESS OTHERWISE SPECIFIED**

1. ALL RESISTORS AND CAPACITORS ON THIS PAGE ARE 0402.
2. SEE ASSEMBLY TABLE ON PAGE 1.

CUSTOMER NOTICE		APPROVALS		LINEAR TECHNOLOGY	
LINEAR TECHNOLOGY HAS MADE A BEST EFFORT TO DESIGN A CIRCUIT THAT MEETS CUSTOMER-SUPPLIED SPECIFICATIONS; HOWEVER, IT REMAINS THE CUSTOMER'S RESPONSIBILITY TO VERIFY PROPER AND RELIABLE OPERATION IN THE ACTUAL APPLICATION. COMPONENT SUBSTITUTION AND PRINTED CIRCUIT BOARD LAYOUT MAY SIGNIFICANTLY AFFECT CIRCUIT PERFORMANCE OR RELIABILITY. CONTACT LINEAR TECHNOLOGY APPLICATIONS ENGINEERING FOR ASSISTANCE.		PCB DES.	KIM T.	1630 McCarthy Blvd. Milpitas, CA 95035 Phone: (408)432-1900 www.linear.com Fax: (408)434-0507 LTC Confidential-For Customer Use Only	
THIS CIRCUIT IS PROPRIETARY TO LINEAR TECHNOLOGY AND SUPPLIED FOR USE WITH LINEAR TECHNOLOGY PARTS.		APP ENG.	GUY H.		
SCALE = NONE		TITLE: SCHEMATIC		8-CHANNEL, HIGH SPEED, SERIAL, SAR, ADC	
DATE: Wednesday, January 04, 2017		SIZE	IC NO.	LTC237XCUH-18/16 FAMILY	REV. 3
SHEET 3 OF 4		ADDRESS A0 HEX WRITE A1 HEX READ		DEMO CIRCUIT 2071A	



NOTES: UNLESS OTHERWISE SPECIFIED  
[2]. SEE ASSEMBLY TABLE ON PAGE 1.

<b>CUSTOMER NOTICE</b> LINEAR TECHNOLOGY HAS MADE A BEST EFFORT TO DESIGN A CIRCUIT THAT MEETS CUSTOMER-SUPPLIED SPECIFICATIONS; HOWEVER, IT REMAINS THE CUSTOMER'S RESPONSIBILITY TO VERIFY PROPER AND RELIABLE OPERATION IN THE ACTUAL APPLICATION. COMPONENT SUBSTITUTION AND PRINTED CIRCUIT BOARD LAYOUT MAY SIGNIFICANTLY AFFECT CIRCUIT PERFORMANCE OR RELIABILITY. CONTACT LINEAR TECHNOLOGY APPLICATIONS ENGINEERING FOR ASSISTANCE.		<b>APPROVALS</b> PCB DES. KIM T. APP ENG. GUY H.		1630 McCarthy Blvd. Milpitas, CA 95035 Phone: (408)432-1900 www.linear.com Fax: (408)434-0507 LTC Confidential-For Customer Use Only	
		TITLE: SCHEMATIC <b>8-CHANNEL, HIGH SPEED, SERIAL, SAR, ADC</b>			
THIS CIRCUIT IS PROPRIETARY TO LINEAR TECHNOLOGY AND SUPPLIED FOR USE WITH LINEAR TECHNOLOGY PARTS.		SCALE = NONE	SIZE B	IC NO. LTC237XCUH-18/16 FAMILY DEMO CIRCUIT 2071A	REV. 3
DATE: Wednesday, January 04, 2017			SHEET 4 OF 4		