

1

2

3

4

5

6

7

A

A

B

B

C

C

D

D

E

E

F

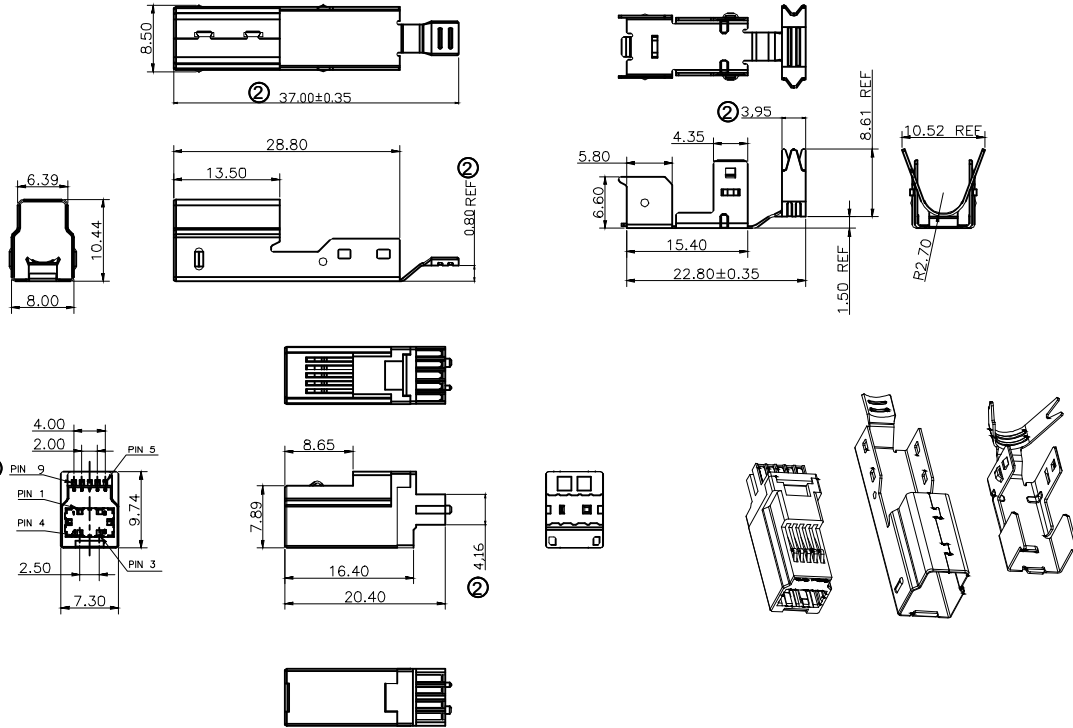
F

G

G

H

H



NOTES:

1.Material:

1.1 Housing: PBT+30%GF UL94V-0, Color Blue

1.2 Shell: SPCC

1.3 Contact :Copper Alloy

2. FINISH:

2.1 Contact Area: Selective 15u"Au

Solder Area: Tin Plated

Under: Ni Plated

3.MECHANICAL:

3.1 Mating Force:3.57kgf Max.

3.2 Unmating Force:1.02kgf Min

3.3 Durability:1500 cycles Min

4.ELECTRICAL:

4.1 Current Rating:1.0A at 30V

4.2 Dielectric Strength:300V AC FOR 1 MINUTE

4.3 Contact Resistance:30mΩ Max


4.4 Insulation Resistance:100 MΩ Min

③ 4.5 Voltage Rating: 30VAC

5.Operating temperature: -20°C TO +85°C

6.PACKIING: PE Bag

RoHS compliant

Scale	Free					Date	Name	Customer-No.
TOLERANCE						Drawn	07.06.2013	Winnie
.X	±0.30							
.XX	±0.20	③	Update	08.11.2019	Carson	Approved	08.11.2019	Carson
.XXX	±0.10	②	Update the dimension	06.02.2018	Tom			
DIM	TOL	①	Update P/N to A-USBPB-3	19.01.2018	Winnie			
X.°	±5°	①	Drawn	07.06.2013	Winnie			
Angle	TOL	①	Drawn	07.06.2013	Winnie	Drawing-No.		
UNIT	mm	Id.	Modification	Date	Name	ASS 5771 CO		rev03
						Replace	SHEET	

1

2

3

4

5

6

7