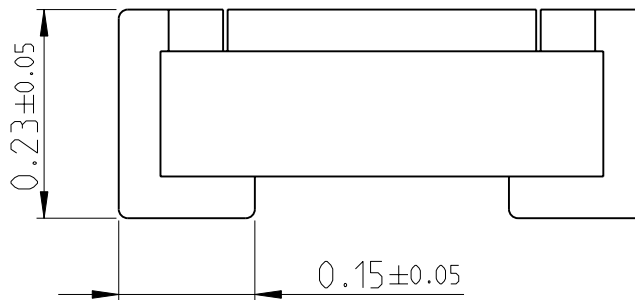
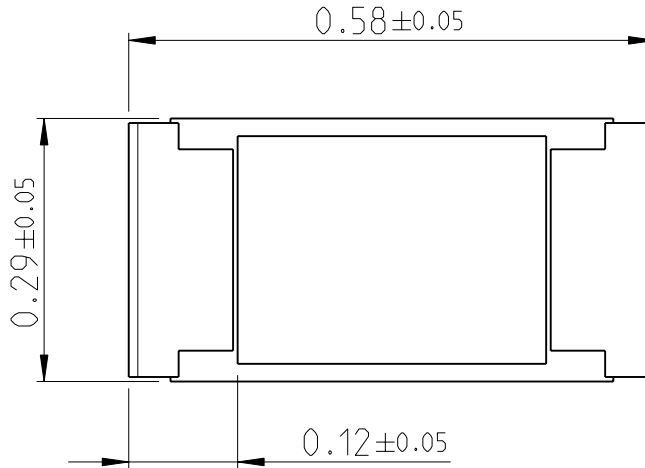
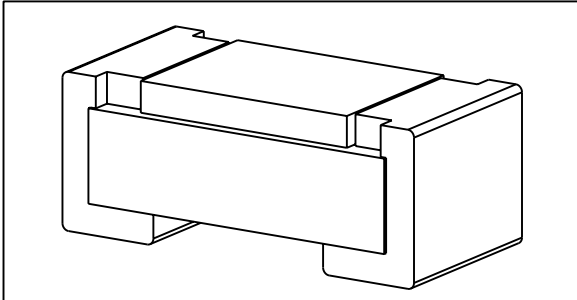


LOC	DIST	REVISIONS					
-	-	P	LTR	DESCRIPTION	DATE	DWN	APVD
		BA		NEW DRAWING	24APR2012	KR	St.P



FOR FURTHER INFORMATION SEE DATA SHEET FOR
PRECISION THIN FILM PRECISION RESISTORS- CPF SERIES

RoHS Compliant



20

RELEASED FOR PUBLICATION

ALL RIGHTS RESERVED.

THIS DRAWING IS UNPUBLISHED.

BY -

© COPYRIGHT 20

DIMENSIONS: mm	DWN RAGHAVENDRA K	24APR2012	MATERIAL	-	FINISH	-	
	CHK ALLAN P	24APR2012	TE Connectivity				
TOLERANCES UNLESS OTHERWISE SPECIFIED:	APVD STEPHEN.P	24APR2012					NAME
	0 PLC ±	PRODUCT SPEC	-	SIZE	CAGE CODE	DRAWING NO	RESTRICTED TO
1 PLC ±0.5	APPLICATION SPEC	-	A 4	00779	C-2176072	-	
2 PLC ±0.13	WEIGHT	0.00014 Gram	SCALE		40:1	SHEET 1 OF 1	REV BA
3 PLC ±0.013	CUSTOMER DRAWING						
4 PLC ±0.0001							
ANGLES ±							

