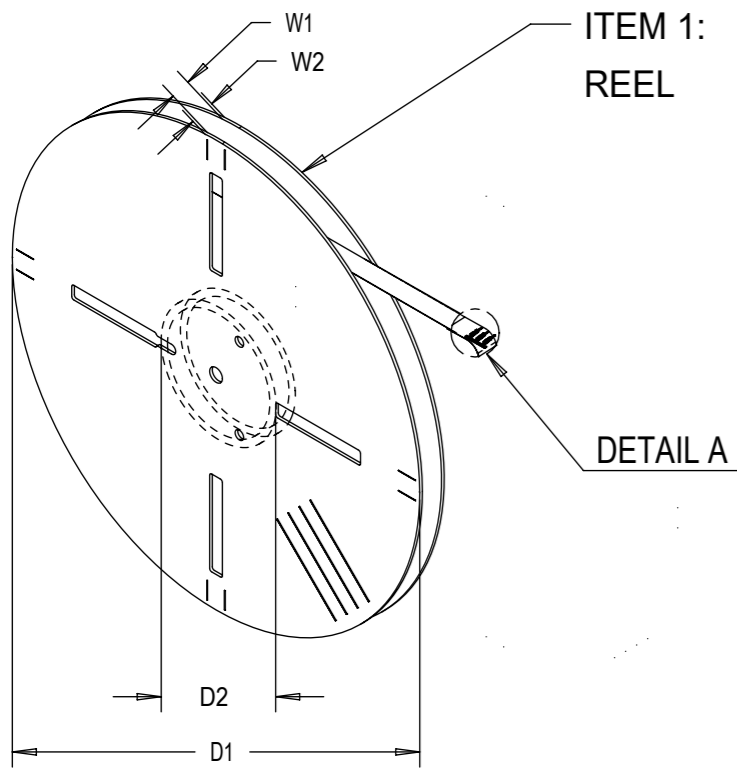
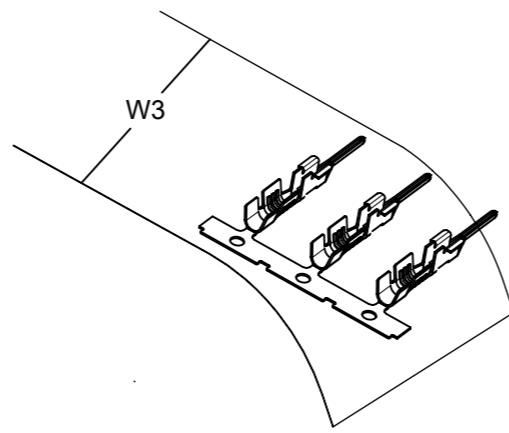


ULTRA-FIT ANGLESS PLUG TERMINALS IN CARTONS				
MATERIAL NUMBER	TERMINAL DESCRIPTION	QTY. PER REEL	REELS PER CARTON	TERMINALS PER CARTON
216946-5013	16-18 AWG, TIN PLATED	7,000	5	35,000
216946-5113	20-22 AWG, TIN PLATED	7,000	5	35,000
216946-5011	16-18 AWG, 15μ" GOLD	7,000	5	35,000
216946-5111	20-22 AWG, 15μ" GOLD	7,000	5	35,000
216946-5012	16-18 AWG, 30μ" GOLD	7,000	5	35,000
216946-5112	20-22 AWG, 30μ" GOLD	7,000	5	35,000

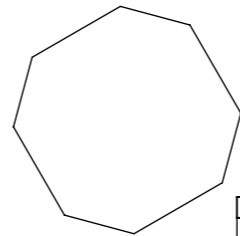
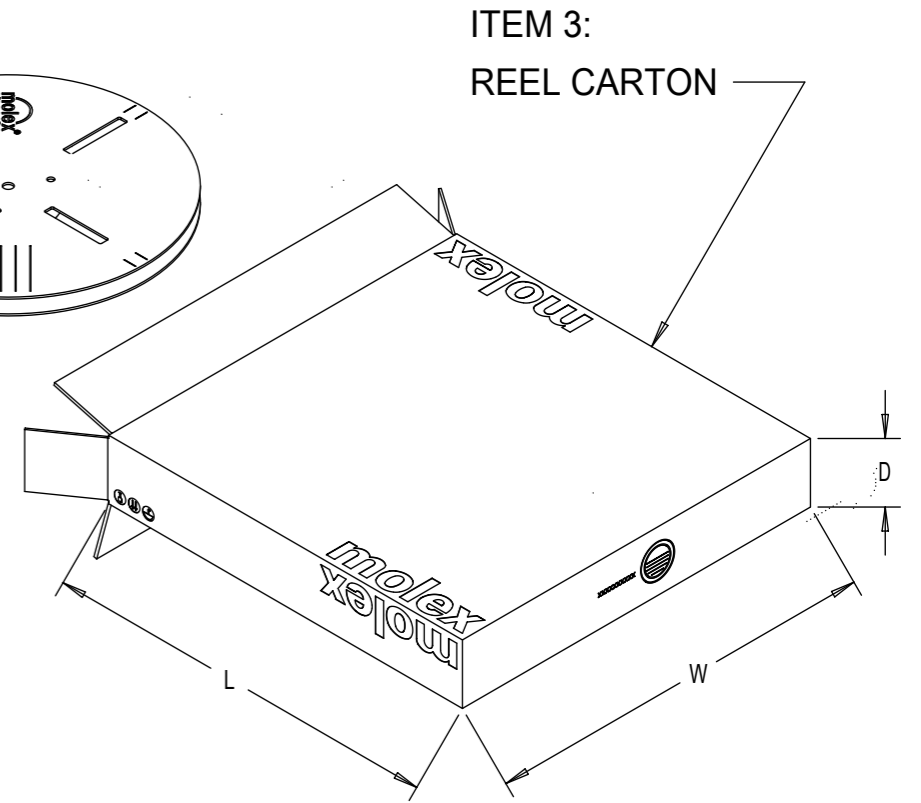
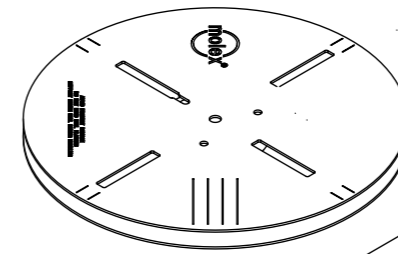
REEL CARTON MATERIAL NUMBERS			
ITEM NO.	DESCRIPTION	QTY. PER REEL	MATERIAL NUMBER
1	REEL ASSEMBLY (D1=610, D2=200, W1=29)	1	885961181
2	INTERLEAF PAPER (W3=27)	1	885961470
3	CARTON (L=615, W=615, D=218)	1/5	885961374



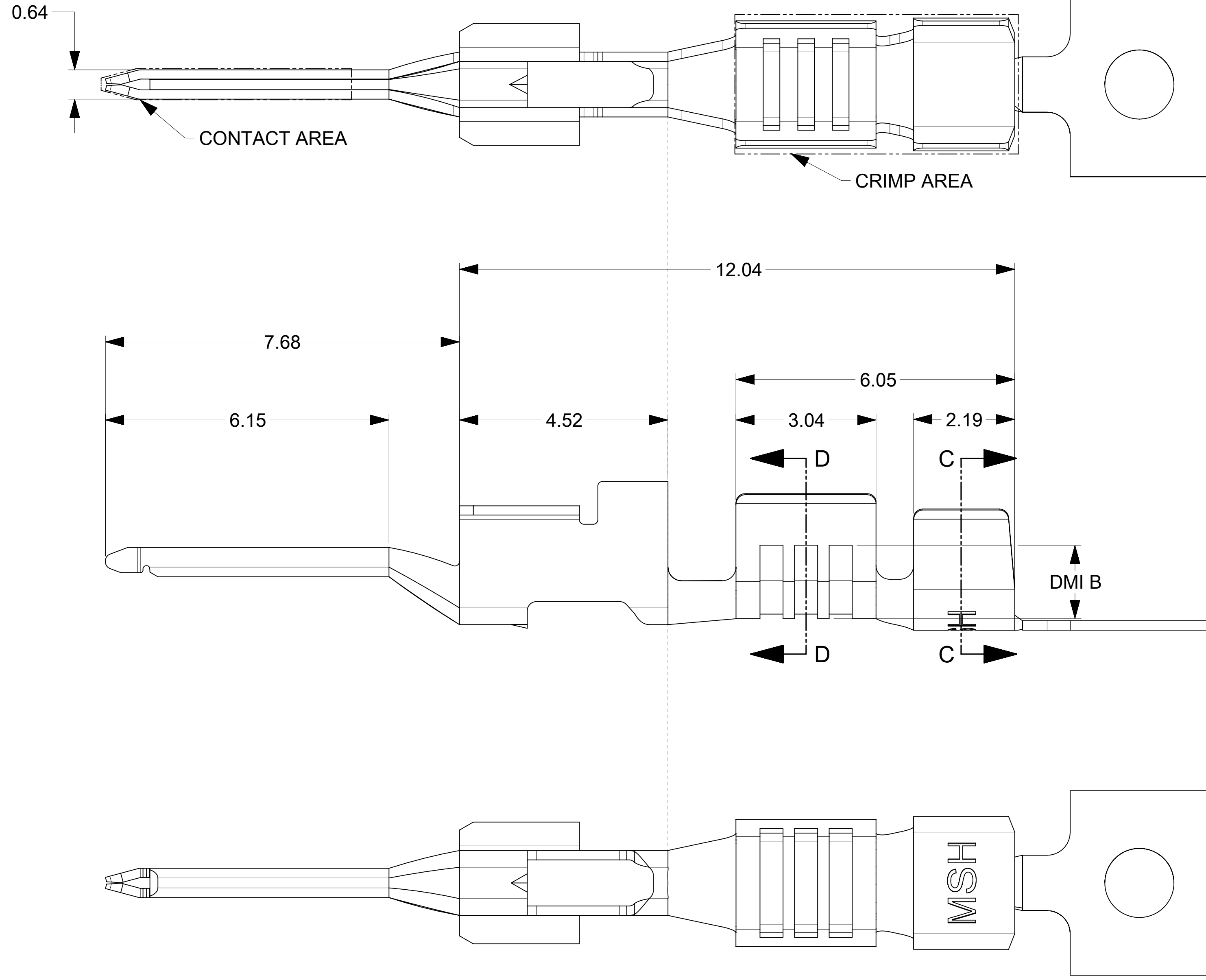
REEL ASSEMBLY



TERMINAL ORIENTATION

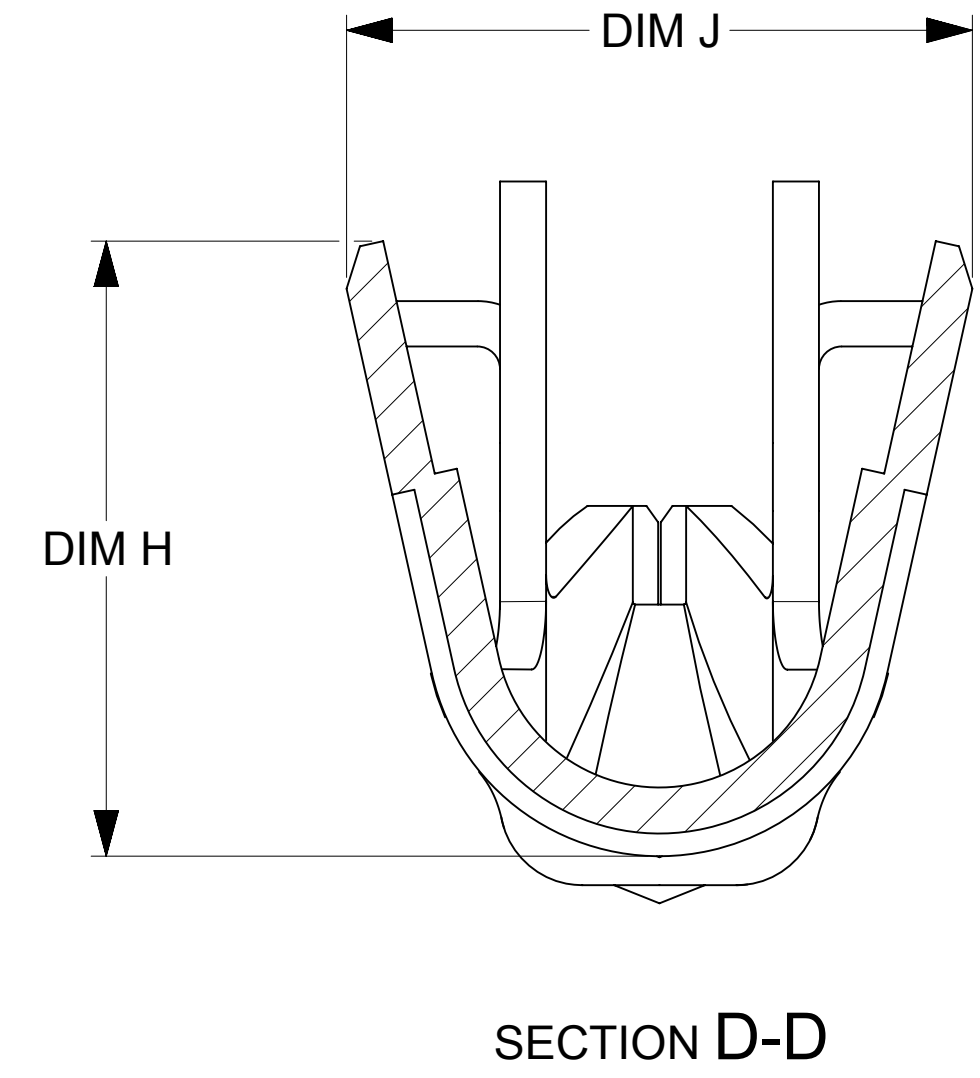
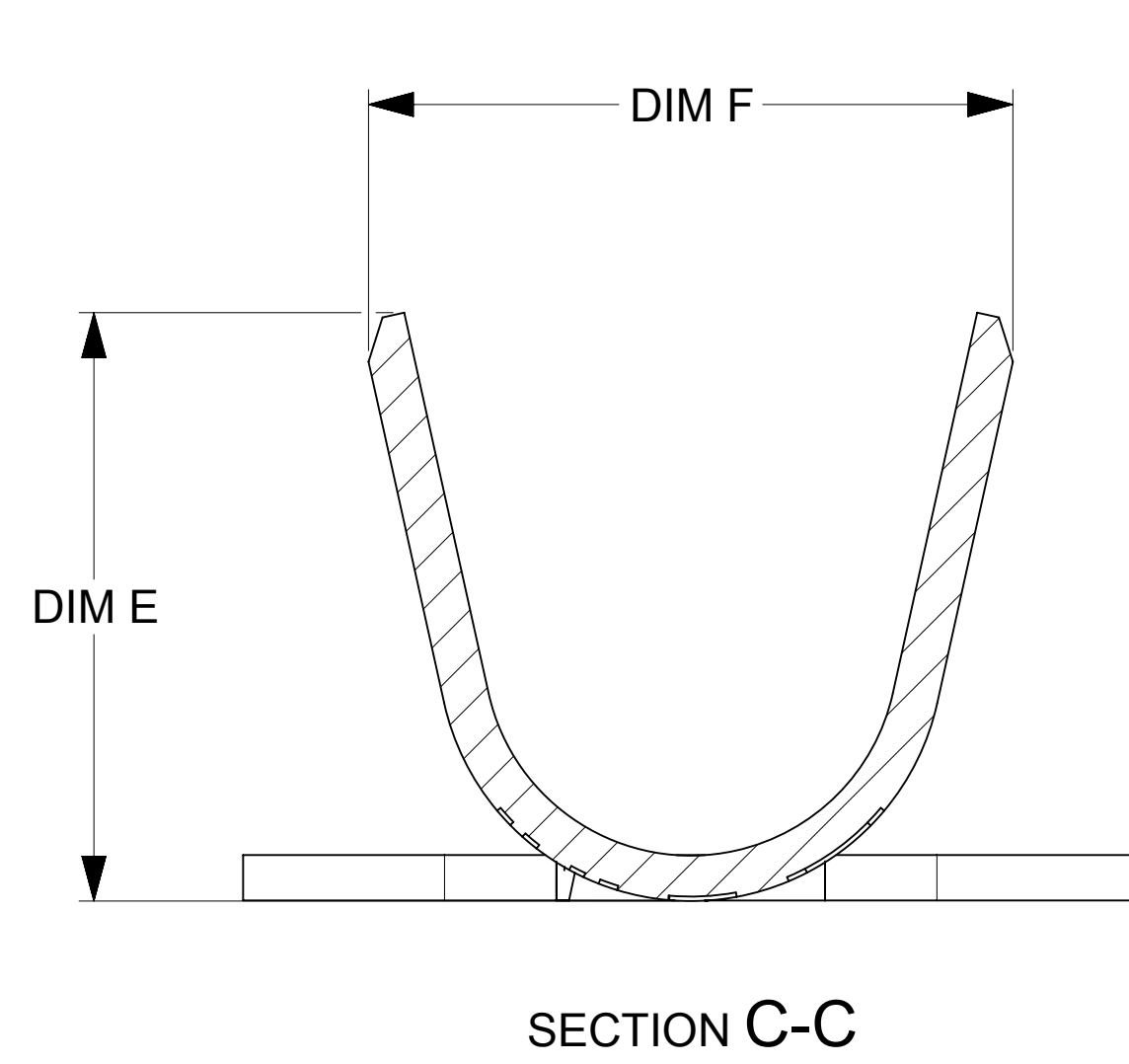


THIS DRAWING CONTAINS INFORMATION THAT IS PROPRIETARY TO MOLEX ELECTRONIC TECHNOLOGIES, LLC AND SHOULD NOT BE USED WITHOUT WRITTEN PERMISSION									
DIMENSION UNITS		SCALE		CURRENT REV DESC:				molex	
mm		NTS							
GENERAL TOLERANCES (UNLESS SPECIFIED)				EC NO: 726545				PACKAGING DRAWING FOR ULTRA-FIT WTW TML	
ANGULAR TOL ± °				DRWN: LEOW 2022/10/31					
4 PLACES ±				CHK'D: EDUGGER 2022/11/01				PRODUCT CUSTOMER DRAWING	
3 PLACES ± 0.1				APPR: EDUGGER 2022/11/01					
2 PLACES ± 0.2				INITIAL REVISION:				DOCUMENT NUMBER	
1 PLACE ± 0.3				DRWN: GLLI 2021/07/30					
0 PLACES ±				APPR: EDUGGER 2022/11/01				2169461000-PK	
DRAFT WHERE APPLICABLE MUST REMAIN WITHIN DIMENSIONS		THIRD ANGLE PROJECTION		DRAWING		SERIES		CUSTOMER	
				A3-SIZE		216946		SHEET NUMBER	
								1 OF 1	



NOTES:

1. MATERIAL: PHOSPHER BRONZE ALLOY
2. FINISH:
 "A" - REFLOW MATTE TIN PLATING 1.5-2.5 μ m OVERALL, UNDER NICKEL PLATING 1.25-2.5 μ m OVERALL.
 "B" - GOLD PLANTING 0.38 μ m MIN ON CANTACT AREA, MATTE TIN PLATING 2.5 μ m MIN ON CRIMP AREA, UNDER NICKEL PLATING 1.25-2.5 μ m OVERALL.
 "C" - GOLD PLANTING 0.76 μ m MIN ON CANTACT AREA, MATTE TIN PLATING 2.5 μ m MIN ON CRIMP AREA, UNDER NICKEL PLATING 1.25-2.5 μ m OVERALL.
3. PRODUCT SPECIFICATION: 2169461000-PS
4. PACKAGING SPECIFICATION: 2169461000-PK
5. TERMINAL FOR USE IN PLUG HOUSING SERIES 216945 AND 202569
6. SOME GOLD MAY BE PRESENT ON INSIDE SURFACE.



PART NUMBER(AFTER PLATING AND LUBRICATING)	LUBRICATING	PLATING	CRIMP SIZE	DIM B	DIM E	DIM F	DIM H	DIM J
216946-5011	NO	B	16-18	1.59	2.63	2.89	2.71	2.77
216946-5111	NO	B	20-22	1.05	2.08	2.33	2.16	2.20
216946-5012	NO	C	16-18	1.59	2.63	2.89	2.71	2.77
216946-5112	NO	C	20-22	1.05	2.08	2.33	2.16	2.20
216946-5013	YES	A	16-18	1.59	2.63	2.89	2.71	2.77
216946-5113	YES	A	20-22	1.05	2.08	2.33	2.16	2.20

THIS DRAWING CONTAINS INFORMATION THAT IS PROPRIETARY TO MOLEX ELECTRONIC TECHNOLOGIES, LLC AND SHOULD NOT BE USED WITHOUT WRITTEN PERMISSION

DIMENSION UNITS mm	SCALE NTS	CURRENT REV DESC:	molex		
GENERAL TOLERANCES (UNLESS SPECIFIED)					
ANGULAR TOL	± °	EC NO: 726545	ULTRA-FIT PLUG CRIMP TERMINAL		
4 PLACES	±	DRWN: LEOW 2022/10/31			
3 PLACES	±	CHK'D: EDUGGER 2022/11/01	PRODUCT CUSTOMER DRAWING		
2 PLACES	± 0.25	APPR: EDUGGER 2022/11/01			
1 PLACE	± 0.35	INITIAL REVISION:	DOCUMENT NUMBER		
0 PLACES	±	DRWN: LEOW 2022/10/21			
DRAFT WHERE APPLICABLE MUST REMAIN WITHIN DIMENSIONS		APPR: EDUGGER 2022/11/01	DOC TYPE DOC PART REVISION		
THIRD ANGLE PROJECTION					
DRAWING		SERIES	MATERIAL NUMBER CUSTOMER SHEET NUMBER		
D-SIZE		216946			
SEE TABLE		GENERAL MARKET	1 OF 1		