

6

5

4

3

2

1

E

E

D

D

C

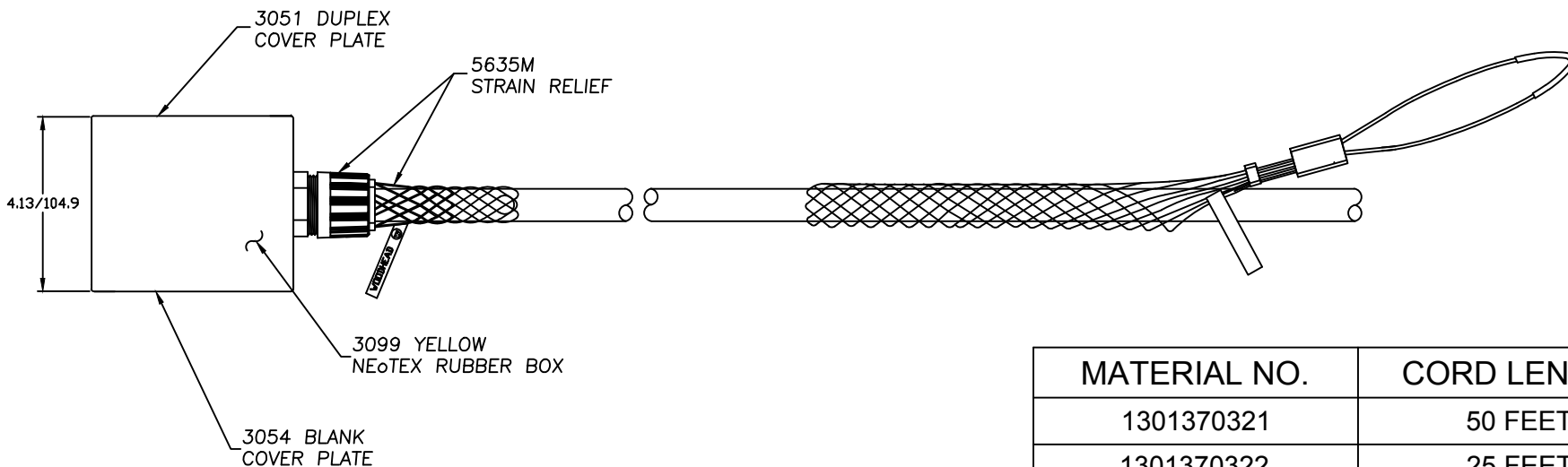
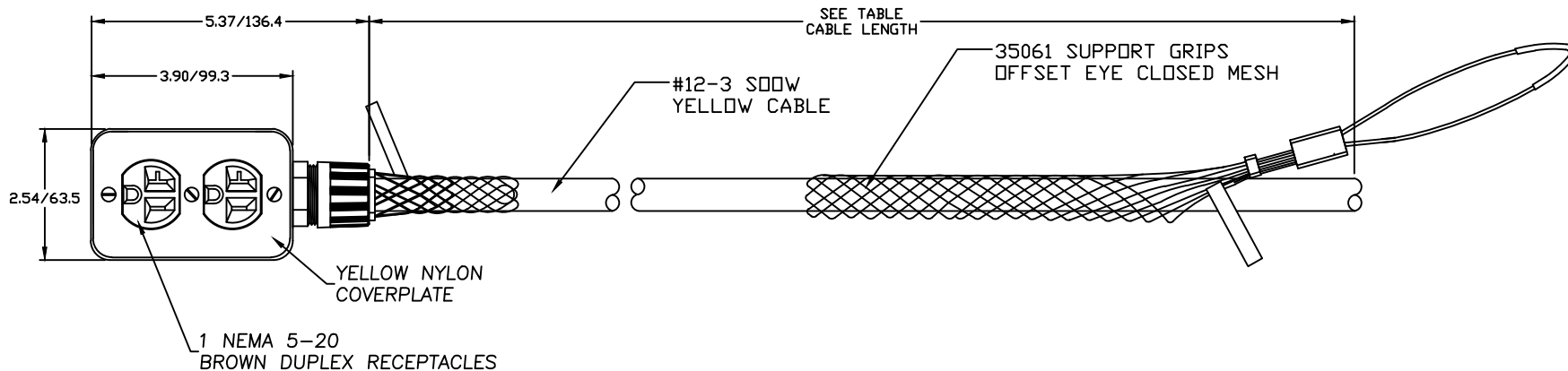
C

B

B

A

A



MATERIAL NO.	CORD LENGTH
1301370321	50 FEET
1301370322	25 FEET

CUSTOMER APPROVAL DWG EC NO: IPC2017-0130 DRWN: HKNEELAN 2016/08/03 CHKD: HKNEELAN 2016/08/22 APPR: JFMURPHY 2016/08/22	DESCRIPTION REV A	QUALITY SYMBOLS ▽=0 ▽C=0	GENERAL TOLERANCES (UNLESS SPECIFIED)		DIMENSION STYLE IN/MM	SCALE NTS	DESIGN UNITS INCH	THIRD ANGLE PROJECTION			
			mm	INCH	DRAWN BY HKNEELAN	DATE 2016/08/03	TITLE MULTIPLE OUTLET BOX W/ #12-3 CABLE & MESH 1 NEMA 5-20 DPLX RECPT				
		4 PLACES	±---	±---	CHECKED BY HKNEELAN	DATE 2016/08/22					
		3 PLACES	±---	±.005	APPROVED BY JFMURPHY		DATE 2016/08/22		MOLEX INCORPORATED		
		2 PLACES	±0.13	±.010							
1 PLACE	±0.25	±.020	ANGULAR ±.5°		MATERIAL NO. SEE CHART		DOCUMENT NO. SD-130137-048		SHEET NO. 1 OF 1		
DRAFT WHERE APPLICABLE MUST REMAIN WITHIN DIMENSIONS			SIZE A		THIS DRAWING CONTAINS INFORMATION THAT IS PROPRIETARY TO MOLEX INCORPORATED AND SHOULD NOT BE USED WITHOUT WRITTEN PERMISSION						