

6

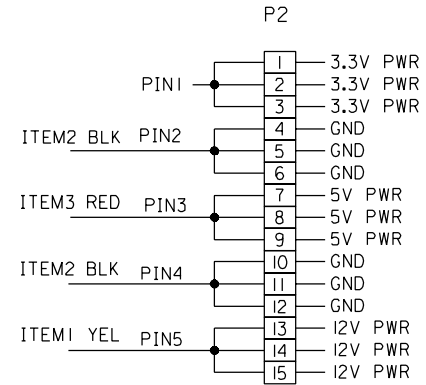
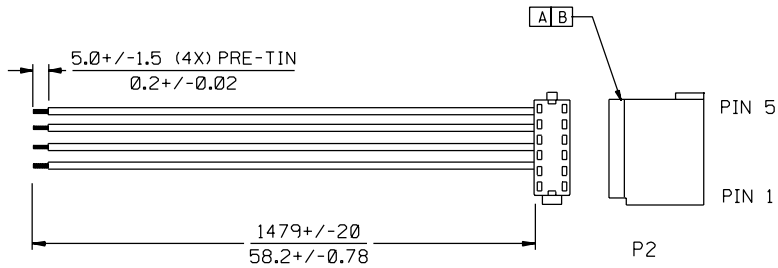
5

4

3

2

1



NOTE: I. ELECTRIC PERFORMANCE:
 DIELECTRONIC STRENGTH: 500 V DC/0.01Sec.
 INSULATION RESISTANCE: 100M OHMS Min.
 CONDUCTIVE RESISTANCE: 2 OHMS Max.

887614610	679260012	30u" Gold-plated
887614600	679260011	Gold Flash
MATERIAL NO	S-ATA CONN.	DESCRIPTION

B	COVER 679260040	1	
A	S-ATA CONN. : SEE TABLE	1	
3	UL1007 #18 RED 887711351	1	1485
2	UL1007 #18 BLK 887711350	2	2970
1	UL1007 #18 YEL 887711353	1	1485
ITEM	DESCRIPTION	QTY	L(mm)

EC NO. DRWN: Louis 04/03/11 CHK: APPR:	DESCRIPTION REV	QUALITY SYMBOLS MAJOR ▼ = 0 CRITICAL ▽ = 0	GENERAL TOLERANCES: (UNLESS SPECIFIED)		SCALE N.T.S	DESIGN UNITS <input checked="" type="checkbox"/> mm <input type="checkbox"/> INCH	THIRD ANGLE PROJECTION	DIMENSIONS: <input checked="" type="checkbox"/> mm <input type="checkbox"/> INCH <input type="checkbox"/> mm ONLY		SHT	REV
			4 PLACES ±0.	±.	DRAWN BY & DATE Louis Chen 03/09/08	TITLE: S-ATA IDT PWR TO PIGTAIL CABLE, 1.5M, (5V+12V)					
			3 PLACES ±0.	±.	CHECKED BY & DATE David Wang 03/09/08	APPROVED BY & DATE Ricky Leung 03/09/08				MOLEX INCORPORATED	
			2 PLACES ±0.	±.	CAD FILENAME J6146-XX .DGN		MATERIAL NO. 887-6146-XX	DRAWING NO. SD-88755-007	SHEET NO. 1 OF 1		
A			1 PLACE ±0.	±.	THIS DRAWING CONTAINS INFORMATION THAT IS PROPRIETARY TO MOLEX INCORPORATED AND SHOULD NOT BE USED WITHOUT WRITTEN PERMISSION.						SIZE A4
			ANGULAR: ± °								