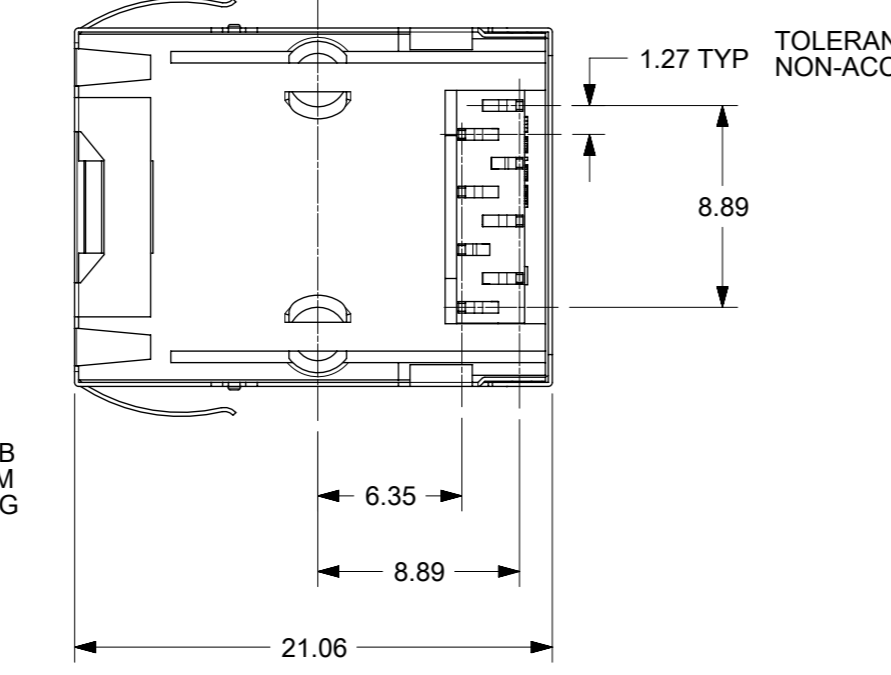
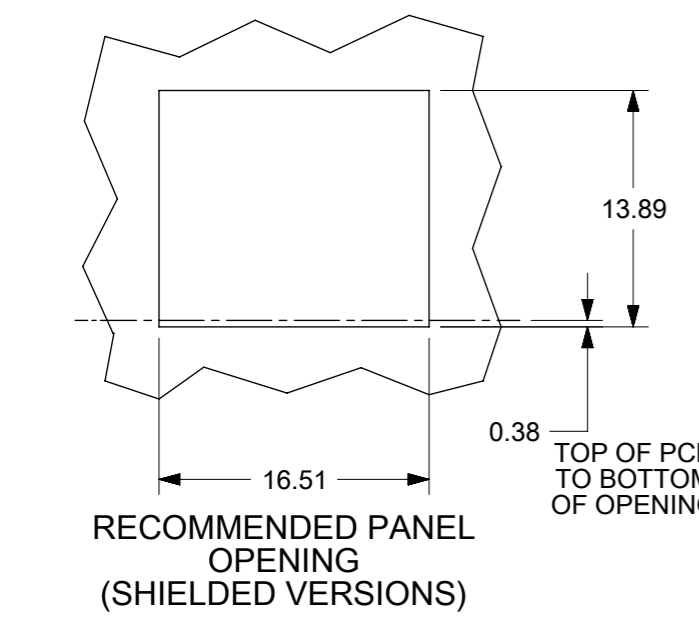
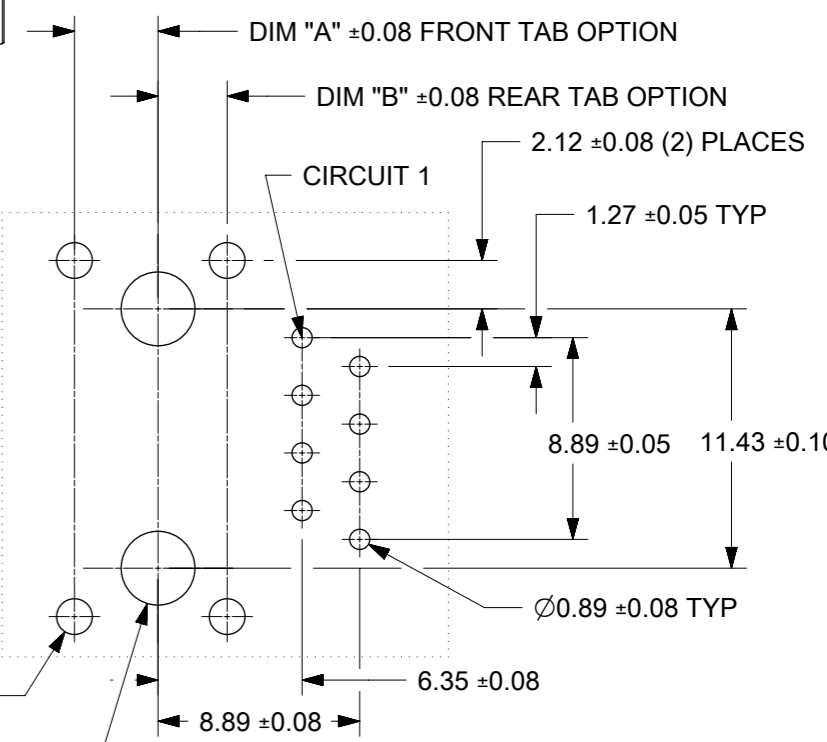
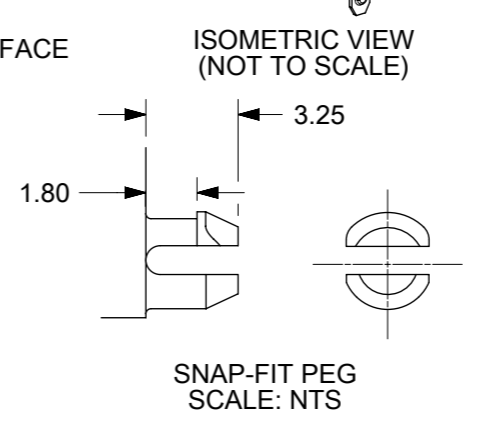
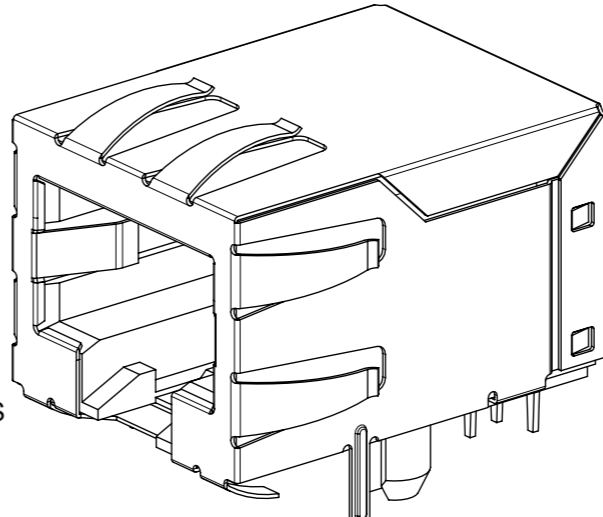
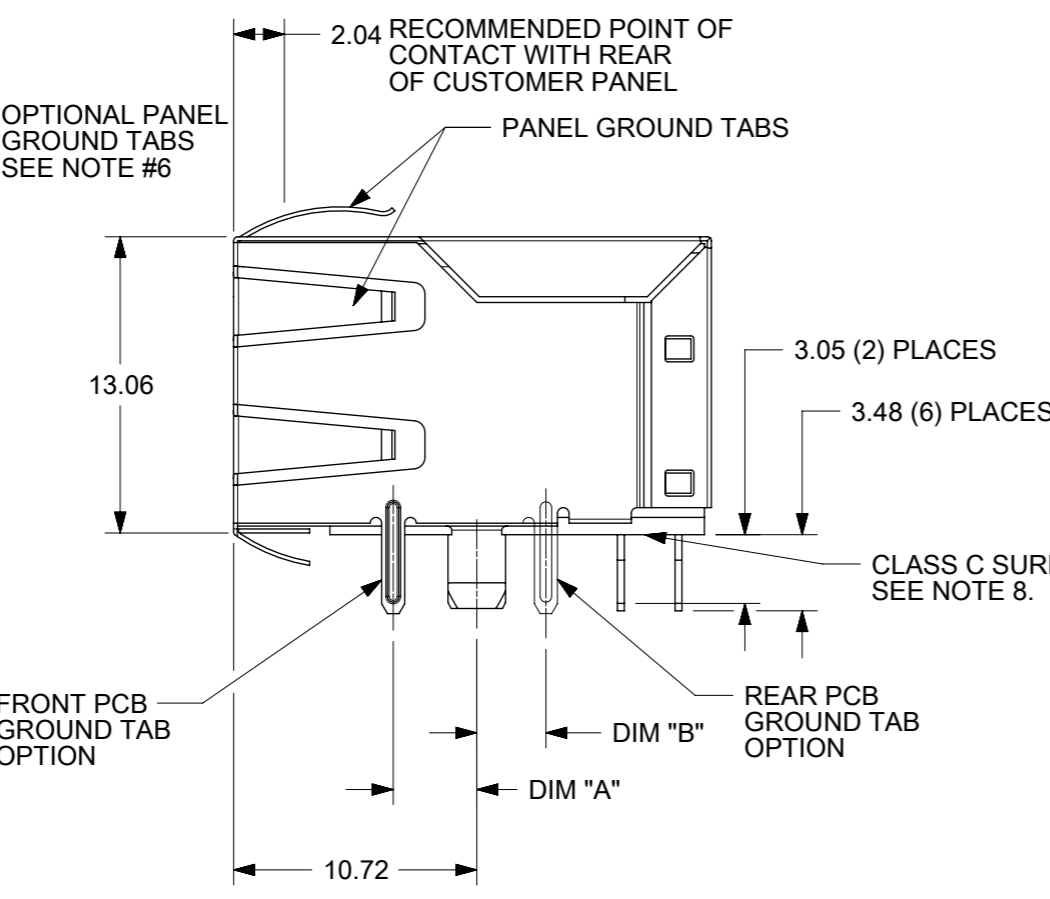
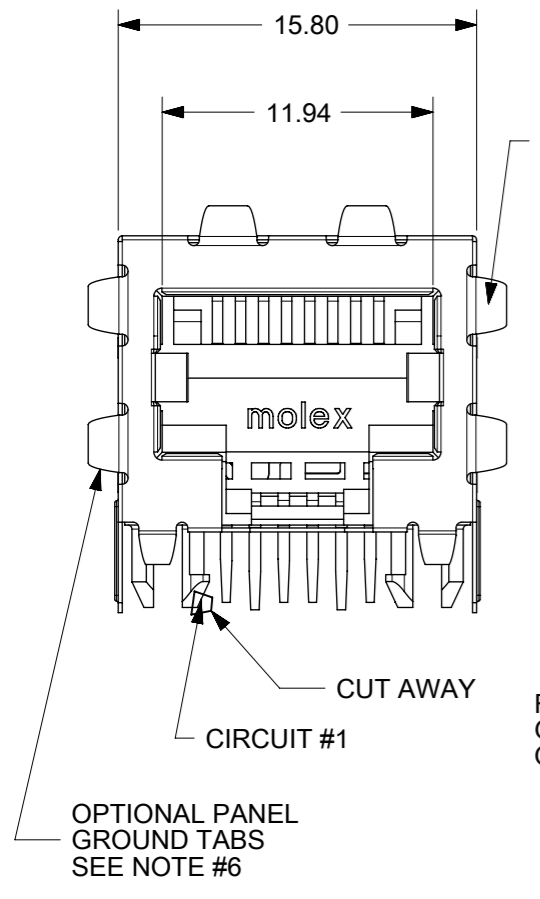


- NOTES:
- 1) MATERIAL:  
HOUSING: NYLON(PA), GLASS FILLED, UL94V-0, COLOR: BLACK  
TERMINALS: PHOSPHOR BRONZE
  - 2) FINISH:  
TERMINALS:  
SELECT GOLD IN CONTACT AREA: 1.27 MICROMETERS MIN.,  
SELECT MATTE TIN IN PC TAIL AREA: 2.54 MICROMETERS MIN.,  
WITH OVERALL NICKEL UNDERPLATE: 1.27 MICROMETERS MIN.
  - 3) PRODUCT SPECIFICATION AND PROCESSING PARAMETERS: PS-44050-003.
  - 4) PACKAGING SPECIFICATION:  
CONNECTOR ASSEMBLIES IN THERMOFORMED TRAYS PER MOLEX PACKAGING SPECIFICATION PK-44050-004.
  - 5) MATES WITH: MODULAR PLUGS THAT CONFORM TO FCC REGULATION PART 68.5.
  - 6) TERMINAL LENGTHS MAY BE DIFFERENT FROM TERMINAL TO TERMINAL.
  - 7) THIS PART CONFORMS TO CLASS B REQUIREMENTS OF COSMETIC SPECIFICATION PS-45499-002 WITH THE EXCEPTION OF THE SURFACE INDICATED, WHICH IS A CLASS C SURFACE.

FUNCTIONAL SYMBOLS	THIS DRAWING CONTAINS INFORMATION THAT IS PROPRIETARY TO MOLEX ELECTRONIC TECHNOLOGIES, LLC AND SHOULD NOT BE USED WITHOUT WRITTEN PERMISSION		CURRENT REV DESC: MIGRATED TO NX			<b>molex</b>		
	GENERAL TOLERANCES (UNLESS SPECIFIED)	SCALE						
△/A = 0	mm	4:1	EC NO: 709829			PRODUCT CUSTOMER DRAWING		
△/E = 0	GENERAL TOLERANCES (UNLESS SPECIFIED)		DRWN: CCV			2018/02/27		
△/V = 0	ANGULAR TOL ± 0.5°		CHK'D: KLANG			2022/06/29		
DIVISIONAL SYMBOLS	4 PLACES ±		APPR: KLANG			2022/06/29		
	3 PLACES ±		INITIAL REVISION:			DOCUMENT NUMBER		
	2 PLACES ±	0.25	DRWN: KMARANTO			SD-44050-002		
	1 PLACE ±		APPR: MMAYO			PSD 001 E5		
0 PLACES ±			0097/12/11			DOC TYPE DOC PART REVISION		
DRAFT WHERE APPLICABLE MUST REMAIN WITHIN DIMENSIONS		THIRD ANGLE PROJECTION	DRAWING	SERIES	MATERIAL NUMBER	CUSTOMER	SHEET NUMBER	
			A3-SIZE	44050	SEE CHART	GENERAL MARKET	1 OF 2	



- NOTES:**
- MATERIAL:**  
HOUSING: NYLON(PA), GLASS FILLED, UL94V-0, COLOR: BLACK  
TERMINALS: PHOSPHOR BRONZE  
SHIELD: BRASS
  - FINISH:**  
TERMINALS:  
SELECT GOLD IN CONTACT AREA: 1.27 MICROMETERS MIN.,  
SELECT TIN IN PC TAIL AREA: 2.54 MICROMETERS MIN.,  
WITH OVERALL NICKEL UNDERPLATE: 1.27 MICROMETERS MIN.
  - SHIELD:**  
2.54 MICROMETERS NICKEL OVER 1.27 MICROMETERS  
COPPER UNDERPLATE, PCB GROUND TABS DIPPED IN TIN
  - PRODUCT SPECIFICATION AND PROCESSING PARAMETERS:** PS-44050-003.
  - PACKAGING SPECIFICATION:**  
CONNECTOR ASSEMBLIES IN THERMOFORMED TRAYS PER MOLEX PACKAGING SPECIFICATION PK-44050-004.
  - MATES WITH:** MODULAR PLUGS THAT CONFORM TO FCC REGULATION PART 68.5.
  - AVAILABLE WITH THE (2) SPECIFIED PANEL GROUND TABS OMITTED FOR SIDE TO SIDE STACKABILITY, PER THE ASSEMBLY MATERIAL NUMBER TABLE.**
  - TERMINAL LENGTHS MAY BE DIFFERENT FROM TERMINAL TO TERMINAL.**
  - THIS PART CONFORMS TO CLASS B REQUIREMENTS OF COSMETIC SPECIFICATION PS-45499-002 WITH THE EXCEPTION OF THE SURFACE INDICATED, WHICH IS A CLASS C SURFACE.**

"X"=NOT TOOLED	ASSEMBLY MATERIAL NUM	DIM "A"	DIM -B-	PANEL GROUND TAB OPTION
	440500007	3.05	N/A	ALL
	440500002	3.68	N/A	ALL
	440500006	4.57	N/A	ALL
	440500003	N/A	3.05	ALL
X	440500009	3.05	N/A	SEE NOTE #6
X	440500004	3.68	N/A	SEE NOTE #6
X	440500008	4.57	N/A	SEE NOTE #6
X	440500005	N/A	3.05	SEE NOTE #6

FUNCTIONAL SYMBOLS		THIS DRAWING CONTAINS INFORMATION THAT IS PROPRIETARY TO MOLEX ELECTRONIC TECHNOLOGIES, LLC AND SHOULD NOT BE USED WITHOUT WRITTEN PERMISSION		CURRENT REV DESC: MIGRATED TO NX		<b>molex</b>	
▽A = 0	mm	SCALE	4:1				
GENERAL TOLERANCES (UNLESS SPECIFIED)						CATEGORY 5 MODULAR JACK ASSEMBLIES, SINGLE PORT	
▽E = 0	ANGULAR TOL		± 0.5°			PRODUCT CUSTOMER DRAWING	
▽F = 0	4 PLACES		±			DOCUMENT NUMBER	
DIVISIONAL SYMBOLS		3 PLACES		±		DOC TYPE	
		2 PLACES		± 0.25		DOC PART	
		1 PLACE		±		REVISION	
		0 PLACES		±		SD-44050-002	
DRAFT WHERE APPLICABLE MUST REMAIN WITHIN DIMENSIONS		THIRD ANGLE PROJECTION		DRAWING		SERIES	
		A3-SIZE		44050		MATERIAL NUMBER	
		SEE CHART		GENERAL MARKET		CUSTOMER	
		2 OF 2		SHEET NUMBER			