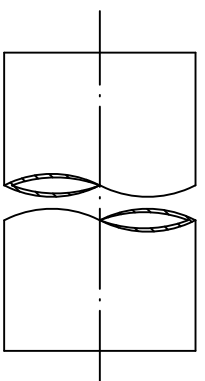
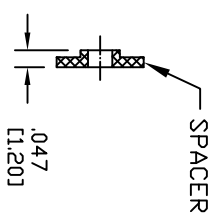
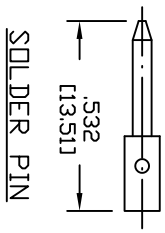
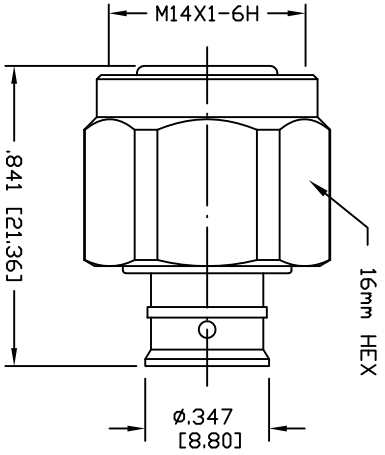


PART NO.		RFD-225M-HPL	
REV	DESCRIPTION	DWN	DATE
—	ENGINEERING RELEASE	CZS	10/05/20
			APPROVED
			JDMc

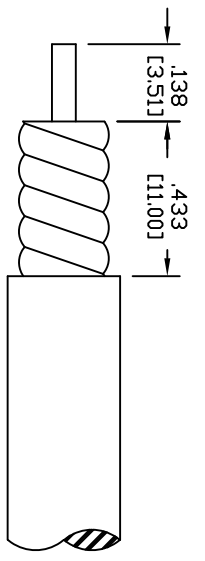


TUBING NOT TO SCALE

SPECIFICATIONS:

INTERFACE: IEC61169-54
 IMPEDANCE: 50 Ohms
 FREQUENCY RANGE: 0-6 GHz
 INSERTION LOSS: -.01 dB MAX
 VSWR: <1.15:1 THRU 3 GHz
 3rd ORDER IM: S-160 dBc @ 700 MHz & 1900 MHz
 3rd ORDER IM TEST METHOD: 2x43 dBm CARRIERS
 DC TEST VOLTAGE: 2500 V @ SEA LEVEL
 INSULATION RESISTANCE: 5000 MΩ
 TEMPERATURE RANGE: -55°C TO 90°C
 MATING TORQUE: 3 Nm (2.2/5)
 MATING CYCLES: >500
 NET WEIGHT: 0.05 lb
 CERTIFICATIONS: RoHS
 ENVIRONMENTAL: IEC 60529, IPX8 (2.5 BAR, 1 HOUR)
 IEC 61169-1 CLAUSE 9.4.6 48 HOUR SALT MIST, 35°C
 USED ON: SPP-250-LLPP, SPO-250, SCF14-50U, SPF-250,
 FSJ1-50A, SCF14-50U, PTS1-50-P, TFT-401, EC1-50-HF

#	DESCRIPTION	QTY	MATERIAL	FINISH
7	COUPLING NUT	1	BRASS	CUSnZn
6	O-RING	1	RUBBER	RED
5	C-RING	1	SST	CUSnZn
4	SPACER	1	PIFE	NATURAL
3	CONTACT	1	BRASS	SILVER
2	INSULATOR	1	PIFE	NATURAL
1	BODY	1	BRASS	CUSnZn



RECOMMENDED STRIPING DIMENSIONS
 USE COMPATIBLE TRIM TOOL SUCH AS MCPT-1412

CUSTOMER OUTLINE DRAWING
 ALL DIMENSIONS ARE REFERENCE ONLY
 UNLESS OTHERWISE SPECIFIED:
 DIMENSIONS ARE IN INCHES
 AND [MILLIMETERS]

ROHS COMPLIANT
 PROPRIETARY AND CONFIDENTIAL
 THIS DRAWING CONTAINS INFORMATION PROPRIETARY TO RF INDUSTRIES. ANY UNAUTHORIZED USE OF THIS DRAWING IS EXPRESSLY PROHIBITED WITHOUT WRITTEN PERMISSION FROM RF INDUSTRIES. ANY VIOLATION IS PUNISHABLE UNDER U.S. COPYRIGHT LAWS.

RF Industries
 DIVISION OF RF INDUSTRIES, LTD. (858) 549-6345 FAX
2.5/5 PLUG
 FOR 1/4" SUPERFLEX CABLE
 RFINDUSTRIES.COM
 7610 MIRAMAR RD.
 SAN DIEGO, CA 92126
 (858) 549-6340

DRW	CHECKED	10/05/20	FORMAT	SCALE	CONTROL #	SHEET 1 OF 1
C. ZUNIGA			A	NTS	000000	