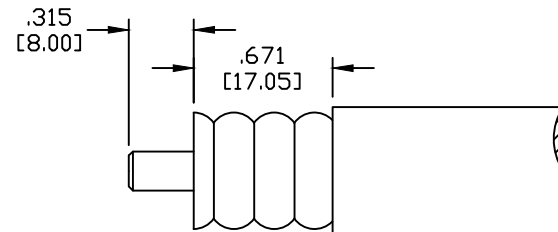
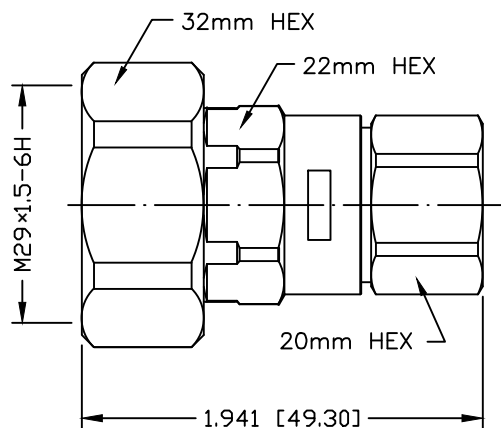


PART NO.

RFD-1601C-H1

REV	DESCRIPTION	DWN	DATE	APPROVED
A	UPDATED TRIM TOOL P/N	CZS	07/19/19	JDMc



RECOMMENDED STRIPING DIMENSIONS

USE OF CABLE TRIM TOOL IS RECOMMENDED
 USE COMPATIBLE TRIM TOOL SUCH AS TRIM-SET-C12-C02

SPECIFICATIONS:

INTERFACE: IEC61169-4
 IMPEDANCE: 50 OHMS
 FREQUENCY RANGE: DC-3 GHz
 VSWR MAX: <1.15:1
 3rd ORDER IM: ≤-155 dBc
 DIELECTRIC WITHSTANDING VOLTAGE: 1500V
 INSULATION RESISTANCE: 10000M OHM
 TEMPERATURE RANGE: -40°C TO +155°C
 FOR LCF12-50JFN, LDF4-50A, ICA12-50JPL, PD353784 & SPF CABLE

12	TUBING (NOT SHOWN)	1	HEAT SHRINK	---	<p>CUSTOMER OUTLINE DRAWING</p> <p>ALL DIMENSIONS ARE REFERENCE ONLY</p> <p>UNLESS OTHERWISE SPECIFIED: DIMENSIONS ARE IN INCHES AND [MILLIMETERS]</p> <p>DRAWN C. ZUNIGA 07/19/19</p> <p>CHECKED</p> <p>ORJ DRAWN C. ZUNIGA 08/08/16</p>	<p>RoHS COMPLIANT</p>	<p>RFconnectors DIVISION OF RF INDUSTRIES, LTD.</p> <p>7610 MIRAMAR RD. SAN DIEGO, CA 92126 (858) 549-6340 (858) 549-6345 FAX</p>			
11	COUPLING NUT	1	BRASS	WHITE BRONZE						
10	RETAINING RING	1	BeCu	WHITE BRONZE						
9	O-RING	1	SI RUBBER	---						
8	O-RING	1	SI RUBBER	---						
7	O-RING	1	SI RUBBER	---						
6	COLLET RING	1	BRASS	WHITE BRONZE						
5	COLLET FLARE	1	BRASS	WHITE BRONZE						
4	INSULATOR	1	PTFE	---						
3	PIN	1	BRASS	SILVER						
2	INSULATOR	1	PTFE	---						
1	BODY	1	BRASS	WHITE BRONZE						
#	DESCRIPTION	QTY	MATERIAL	FINISH						

7/16 DIN MALE CAPTIVATED CLAMP

FOR 1/2" FLEXIBLE CORRUGATED CABLE

SIZE	CABLE GROUP	DWG NO.	REVISION
A	H1	RFD-1601C-H1	A
SCALE:	ENGINEERING ID:	000000	SHEET 1 OF 1
NTS			