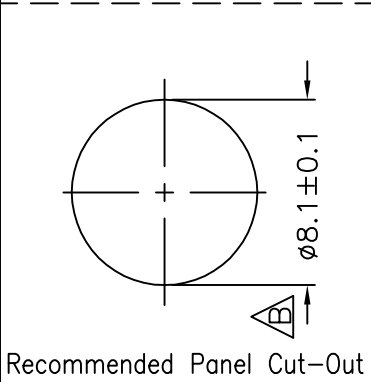
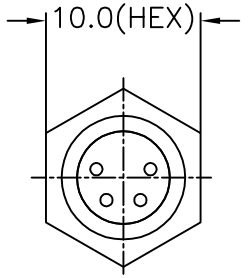
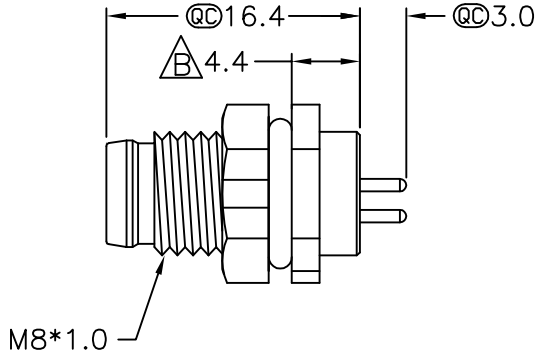
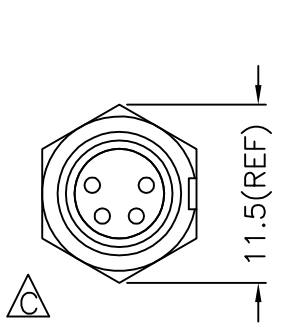
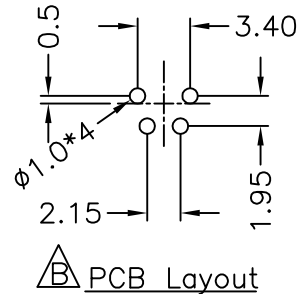
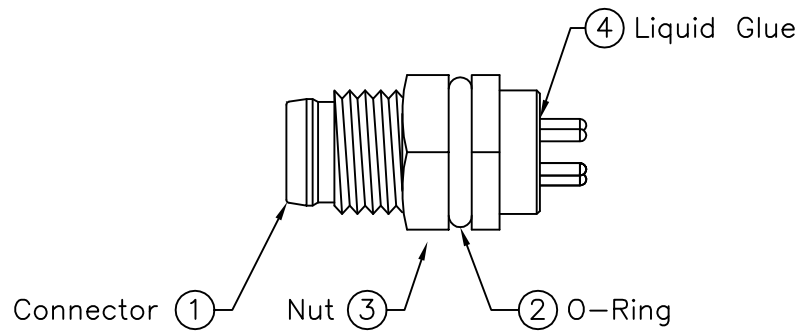


REV.	ECN NO.	DATE	SIGN	DESCRIPTION
B	LEN-910194	2009/01/07	Ivan Lin	Change rev. to ECN note
C	LEN-080067	2010/08/16	Zhang Xing	Change View.

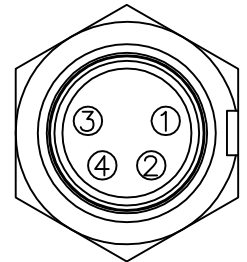
THIS DOCUMENT IS SUBJECT TO CHANGE WITHOUT NOTICE. IT IS CONFIDENTIAL AND A PROPERTY OF Amphenol LTW. DISCLOSURE TO THIRD PARTY HAS TO BE AUTHORIZED BY Amphenol LTW.



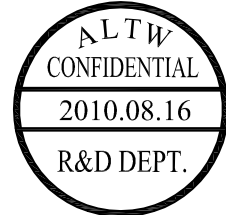
Recommended Panel Cut-Out



PCB Layout



Pin Assignments Front View



Note:

- * @C Important Dimension To Check.
- * Waterproof Rate: IP67
- * Housing: Nylon+GF,Black
- * Male Pin: Copper Alloy, Gold Plated
- * Nut: Nylon+GF,Black
- * O-Ring: EPDM,Black
- * For Panel Thickness Max 3.0mm

UNIT:mm	
TOLERANCE	
.X	±0.25
.XX	±0.1
.XXX	±0.05
ANGLES	±1°

TITLE	M8 Conn	
	Panel Screw 4P M Conn M Pin	
SCALE	Free	SHEET 1 OF 1
REV. C	SIZE A4	@C :Inspection Item

Amphenol LTW

安費諾亮泰企業股份有限公司

ITEM NO	8P-04PMMP-SF7001
DWG NO	8P-04PMMP-SF7001
CUSTOMER	ALTW

DRAWN BY	Zhang Xing
CHECKED BY	Tina
APPROVED BY	Can

DATE	2010/08/16
DATE	2010/08/16
DATE	2010/08/16