

LAYOUT SHOWN AS EXAMPLE

Keying Shown as example

CHARACTERISTICS

- Standard : Based on MIL-DTL-38999 Series III
- Shell Material : Stainless Steel
- Shell Plating : Nickel
- Insulator : Thermoplastic
- Contacts : Copper Alloy
- Seals & Grommet : Silicon Elastomer
- Contact Plating : Gold over copper Alloy 0.8µm minimum
- Durability : 500 Mating cycles
- Delivered with Souriau contacts and Accessories
- Temperature Range : -65°C to +200°C
- Salt Spray : 500 hours

Connector dimension	
Dim	Nominal
A	41.3±0.3
B	26.97+0.1/-0.15
R	32.5Max
S	38.1±0.4
W	2.2+0.9/-0.1
VV THREAD	M22x1-6g

SOURIAU shall not be liable for any non-conformity or damage due to a use of the Products which does not comply with the Specifications issued by either of the Parties or by a third party (professional recommendation, technical notice.)

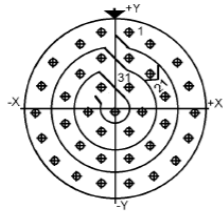
Country	Jurisdiction & Control List
FR	Not Listed

PN: 8D715S35BN

A	08-11-2016	First Release	
ISS	DATE	Latest modification - by	MOD N°
Designed By:		Date:	CUSTOMER DRAWING
TITLE	Stainless Steel Receptacle 8D series		
SCALE		General linear Tolerances: ±--	NPRDS / PROJECT 859
NA			
SOURIAU	WWW.SOURIAU.COM		This document is the property of SOURIAU it must not be reproduced or communicated without permission
FORMAT	SOURIAU DRG N° 8D715S35BN-C		SHEET 1/2

BASIC SERIES:	8D	7	-	15	S	35	B	N	ORIENTATION : N
SHELL TYPE :	Jam nut Receptacle								
CONTACT TYPE :	Standard Crimp Contact								
SHELL SIZE :	15								
PLATING :	S = Nickel								
	CONTACT TYPE : SOCKET(500 Matings)								
	CONTACT LAYOUT : 15-35								

Contact Layout



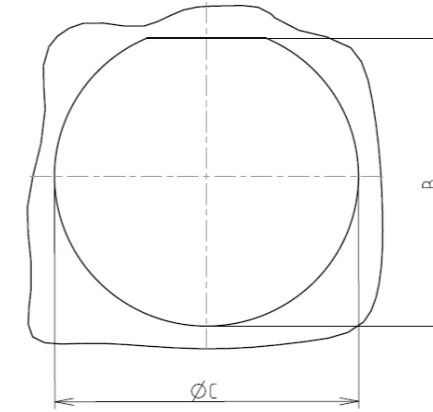
Contacts (Insert arrangement 15-35)					
Contact position ID	Location		Contact position ID	Location	
	X-axis (mm)	Y-axis (mm)		X-axis (mm)	Y-axis (mm)
1	+045 (1.14)	+262 (6.65)	20	+123 (3.12)	+119 (3.02)
2	+123 (3.12)	+217 (5.51)	21	+170 (4.32)	+040 (1.02)
3	+211 (5.36)	+160 (4.06)	22	+170 (4.32)	-050 (1.27)
4	+254 (6.45)	+080 (2.03)	23	+123 (3.12)	-127 (3.23)
5	-200 (0.70)	-010 (2.5)	24	-045 (1.14)	-172 (4.37)
6	+247 (6.27)	-098 (2.49)	25	-045 (1.14)	-127 (4.37)
7	+200 (5.08)	-175 (4.45)	26	-123 (3.12)	-127 (3.23)
8	+130 (3.30)	-232 (5.89)	27	-170 (4.32)	-050 (1.27)
9	+045 (1.14)	-262 (6.65)	28	-170 (4.32)	+040 (1.02)
10	-045 (1.14)	-262 (6.65)	29	-123 (3.12)	+119 (3.02)
11	-130 (3.30)	-232 (5.89)	30	-045 (1.14)	+172 (4.37)
12	-200 (5.08)	-175 (4.45)	31	+045 (1.14)	+074 (1.88)
13	-247 (6.27)	-098 (2.49)	32	+090 (2.29)	-004 (0.10)
14	-266 (6.76)	-010 (2.5)	33	+045 (1.14)	-082 (2.08)
15	-254 (6.45)	+080 (2.03)	34	-045 (1.14)	-082 (2.08)
16	-211 (5.36)	+160 (4.06)	35	-090 (2.29)	-004 (0.10)
17	-123 (3.12)	+217 (5.51)	36	-045 (1.14)	+074 (1.88)
18	-045 (1.14)	+262 (6.65)	37	+000 (0.00)	-004 (0.10)
19	+045 (1.14)	+172 (4.37)			

(Applicable to MIL-DTL-38999 only)

Shell size	Arrangement no.	Number of contacts	Size contacts	Service rating	Contact location	Supersedes
15	-35	37	22D	M	All	MS27528-35

Panel cutout

JAM NUT RECEPTACLE (TYPE 7)



Max. thickness panel for receptacle: Type 7: 3.2 mm

Dim	Nominal
B	27.56+0/-0.25
ØC	28.83+0.25/-0

SOURIAU shall not be liable for any non-conformity or damage due to a use of the Products which does not comply with the Specifications issued by either of the Parties or by a third party (professional recommendation, technical notice.)

Country	Jurisdiction & Control List
FR	Not Listed

PN: 8D715S35BN

A	08-11-2016	First Release	
ISS	DATE	Latest modification - by	MOD N°
Designed By:		Date:	CUSTOMER DRAWING
TITLE	Stainless Steel Receptacle 8D series		
SCALE		General linear Tolerances:	NPRDS / PROJECT
NA		±--	859
SOURIAU	WWW.SOURIAU.COM		This document is the property of SOURIAU it must not be reproduced or communicated without permission
FORMAT	SOURIAU DRG N° 8D715S35BN-C		SHEET 2/2