

4

3

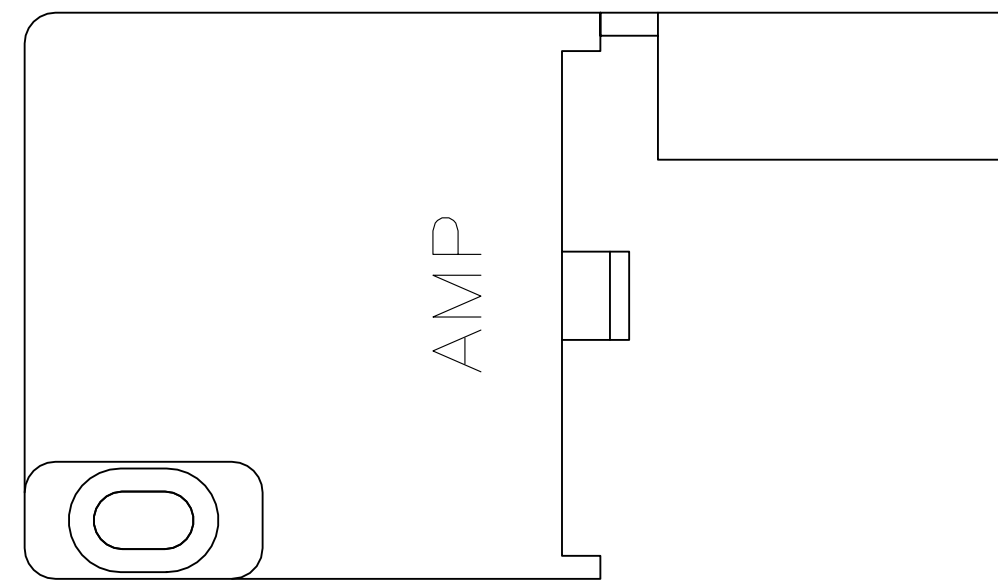
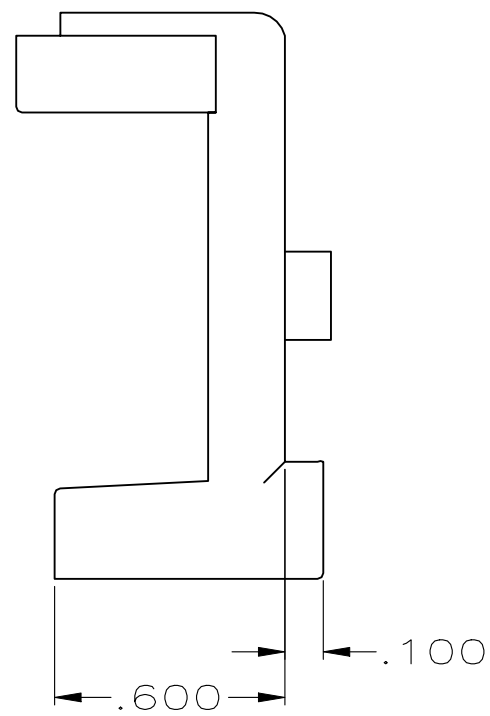
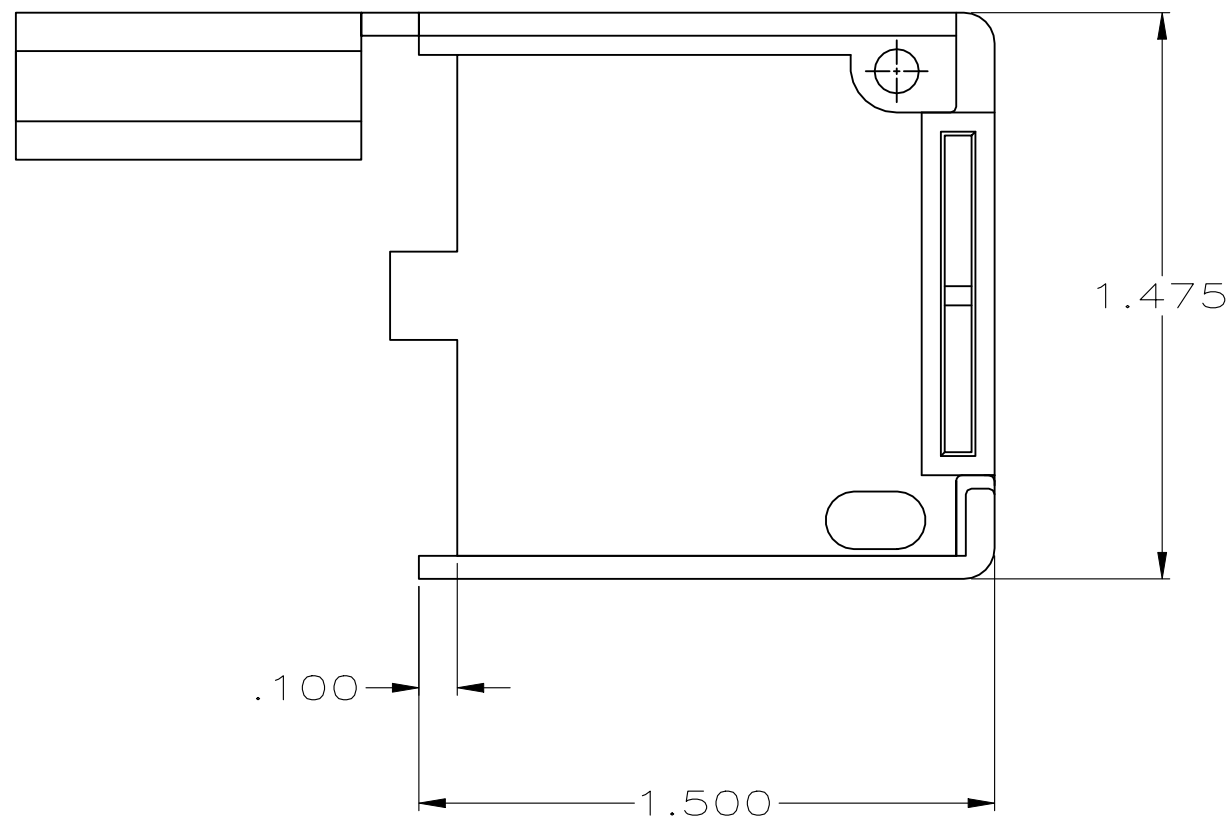
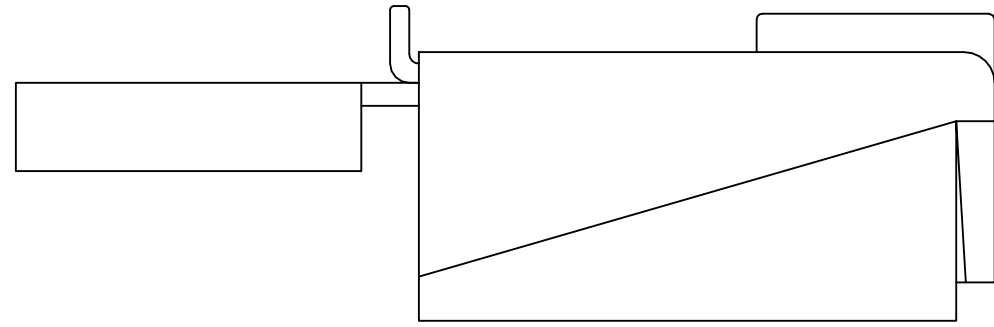
2

1

© - TE Connectivity. All Rights Reserved.

REVISIONS

P	LTR	DESCRIPTION	DATE	DWN	APVD
G		ECN-22-144047	17MAR2022	RK	JMV



643266

B

643266-1

PART NUMBER

THIS DRAWING IS A CONTROLLED DOCUMENT.		DWN	2-14-90		
		J GALLUCCI	BG		
		CHK	3-19-90		
		APVD	3-19-90		
DIMENSIONS: INCHES		TOLERANCES UNLESS OTHERWISE SPECIFIED:		NAME	
		0 PLC ± -		STRAIN RELIEF, HIGH CURRENT COMMERCIAL CONNECTOR	
		1 PLC ± -		-	
		2 PLC ± -		-	
		3 PLC ± .015		-	
		4 PLC ± -		-	
MATERIAL: NYLON, 94V-0		FINISH: COLOR: BLACK		SIZE: A2	
				CAGE CODE: 00779	
				DRAWING NO: C-643266	
				RESTRICTED TO: -	
		WEIGHT: -		SCALE: 2:1	
		CUSTOMER DRAWING		SHEET 1 OF 1	
				REV G	

A