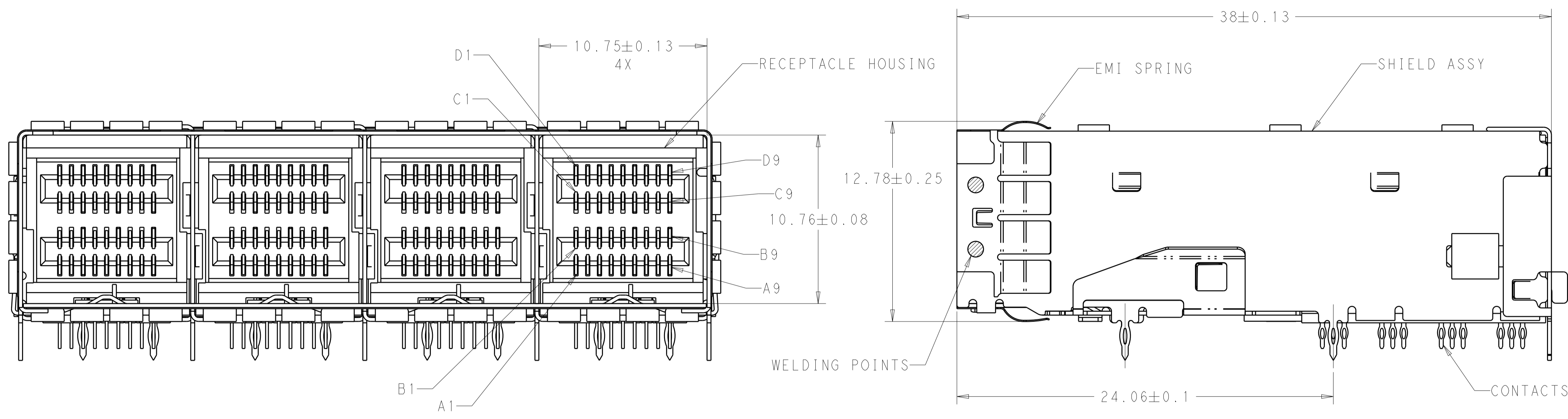
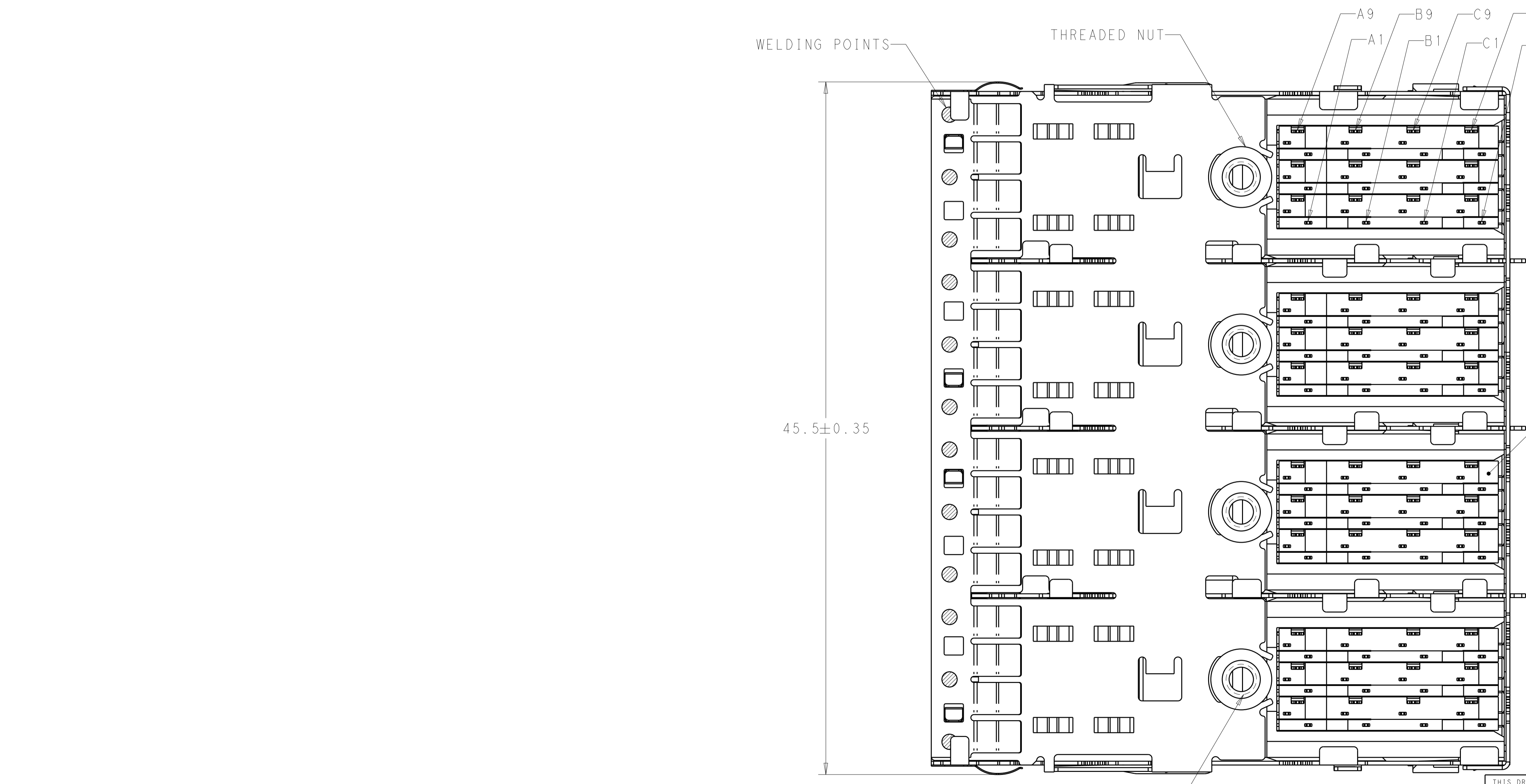


LOC	DIST	REVISIONS					
		P	LTN	DESCRIPTION	DATE	DWN	APVD
AG	00	A		REVISED PER ECO-14-018497	16DEC2014	AP	DG
		B		REVISED PER ECO-15-013876	17JUN2016	JY	SH



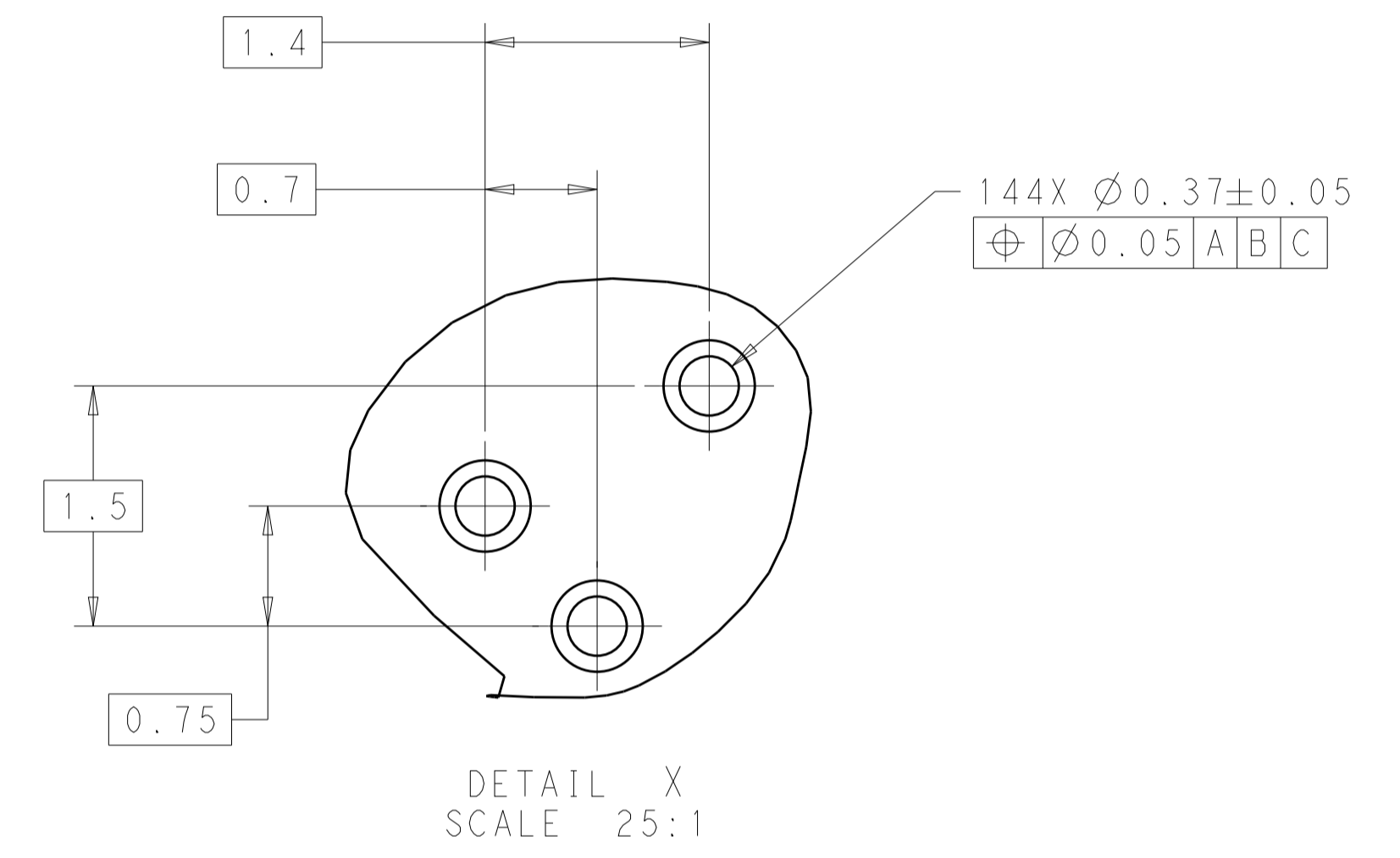
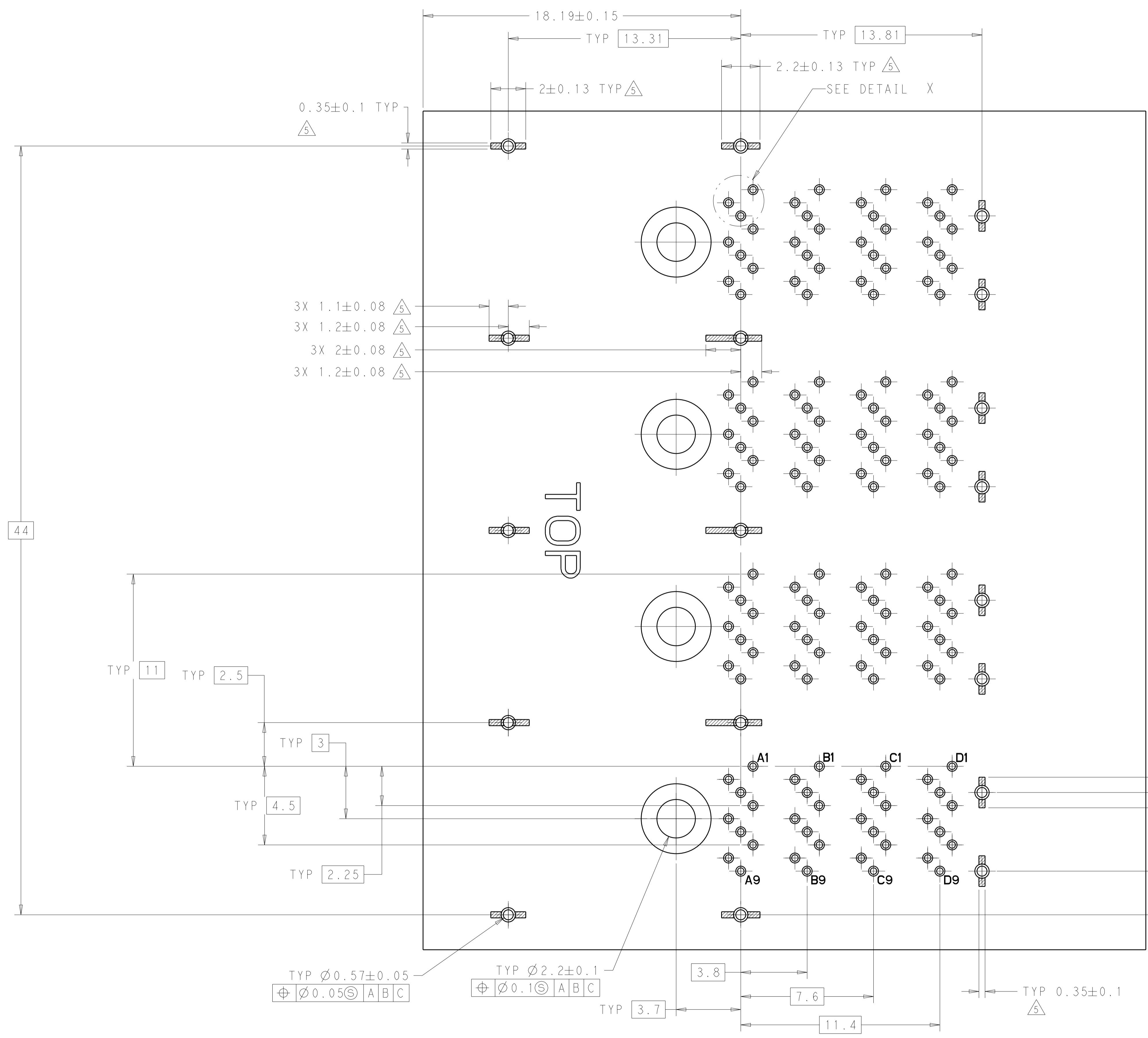
- 1. MATERIALS**  
 RECEPTACLE HOUSING, LCP, BLACK, UL94V-0 RATED  
 SHIELD ASSY: NICKEL SILVER COPPER ALLOY  
 CONTACTS: COPPER ALLOY  
 EMI SPRING: COPPER ALLOY  
 THREADED NUT: BRASS  
 CHICKLETS: LCP, BLACK, UL 94V-0 RATED
- 2. FINISH**  
 EMI SPRING: TIN PLATE OVER NICKEL PLATE  
 NON-PLATED EDGES PERMISSABLE  
 THREADED NUT: NICKEL PLATE
- 3. CONTACT FINISH:** CONFORMS TO THE REQUIREMENTS OF TE PRODUCT SPECIFICATION, 108-2462. BASED ON EIA/ECA-364-1000.01A. (CONTROLLED ENVIRONMENT APPLICATIONS) ON MATING END. TIN PLATED ON PCB TAIL
- 4. THREAD LENGTH OF FASTENER = PCB THICKNESS+1.45 MAX**
- 5. RECOMMENDED TRACE KEEP OUT ZONE**



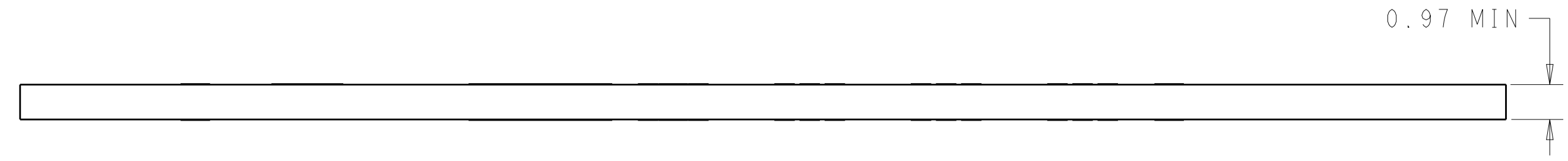
2149375-1  
PART NUMBER

THIS DRAWING IS A CONTROLLED DOCUMENT.		DWN P. KERLIN CHK J. SECHRIST	06DEC2010 06DEC2010	TE Connectivity NAME RECEPTACLE ASSEMBLY, MINI-SAS HD, 4X
DIMENSIONS: mm		APVD		
TOLERANCES UNLESS OTHERWISE SPECIFIED: 0 PLC ± 1 PLC ± 2 PLC ± 3 PLC ± 4 PLC ± ANGLES ±		PRODUCT SPEC 108-2462	APPLICATION SPEC 114-13316	RESTRICTED TO
MATERIAL		FINISH	WEIGHT	SIZE A1
				CAGE CODE 00779
				DRAWING NO C=2149375
				REV B
				SCALE 6:1
				SHEET 1 OF 3
				CUSTOMER DRAWING

LOC		DIST		REVISIONS			
P	LTN	DESCRIPTION	DATE	DMN	APVD		
AG	00	SEE SHEET 1					



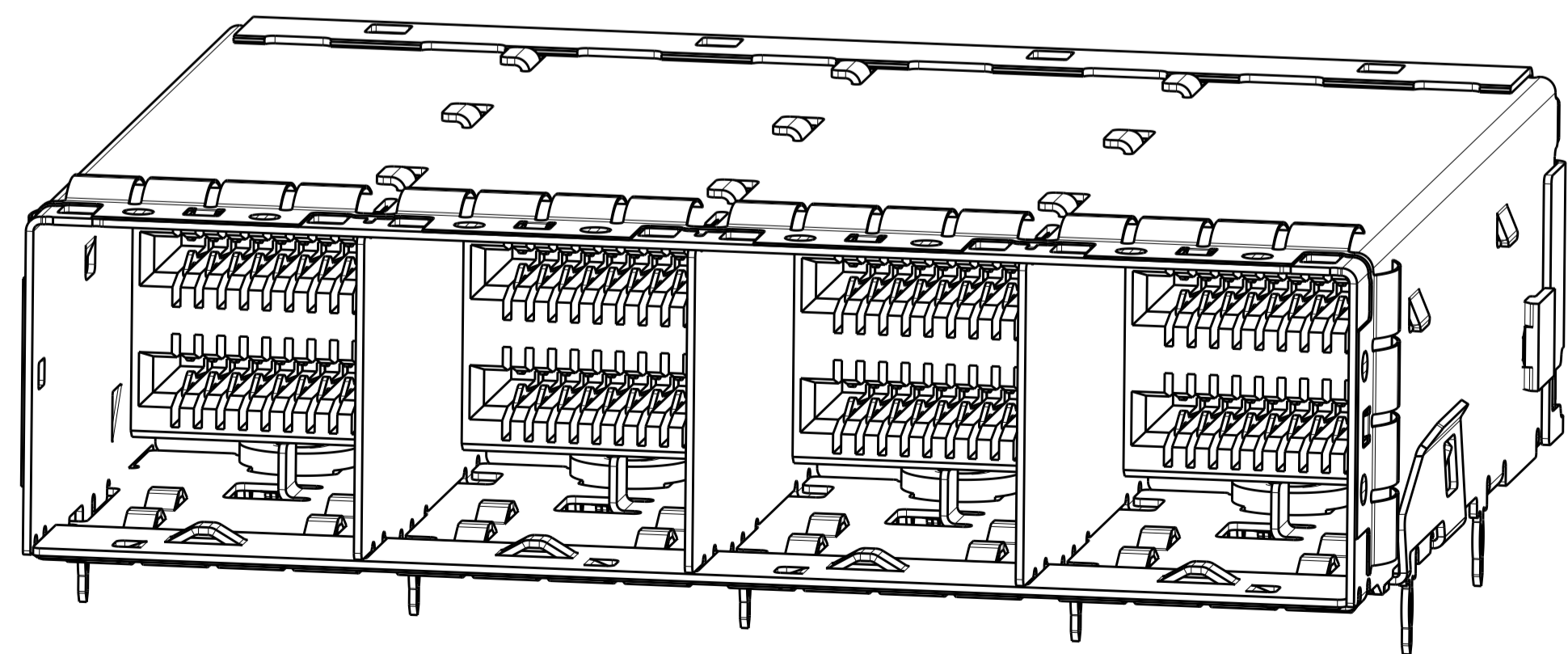
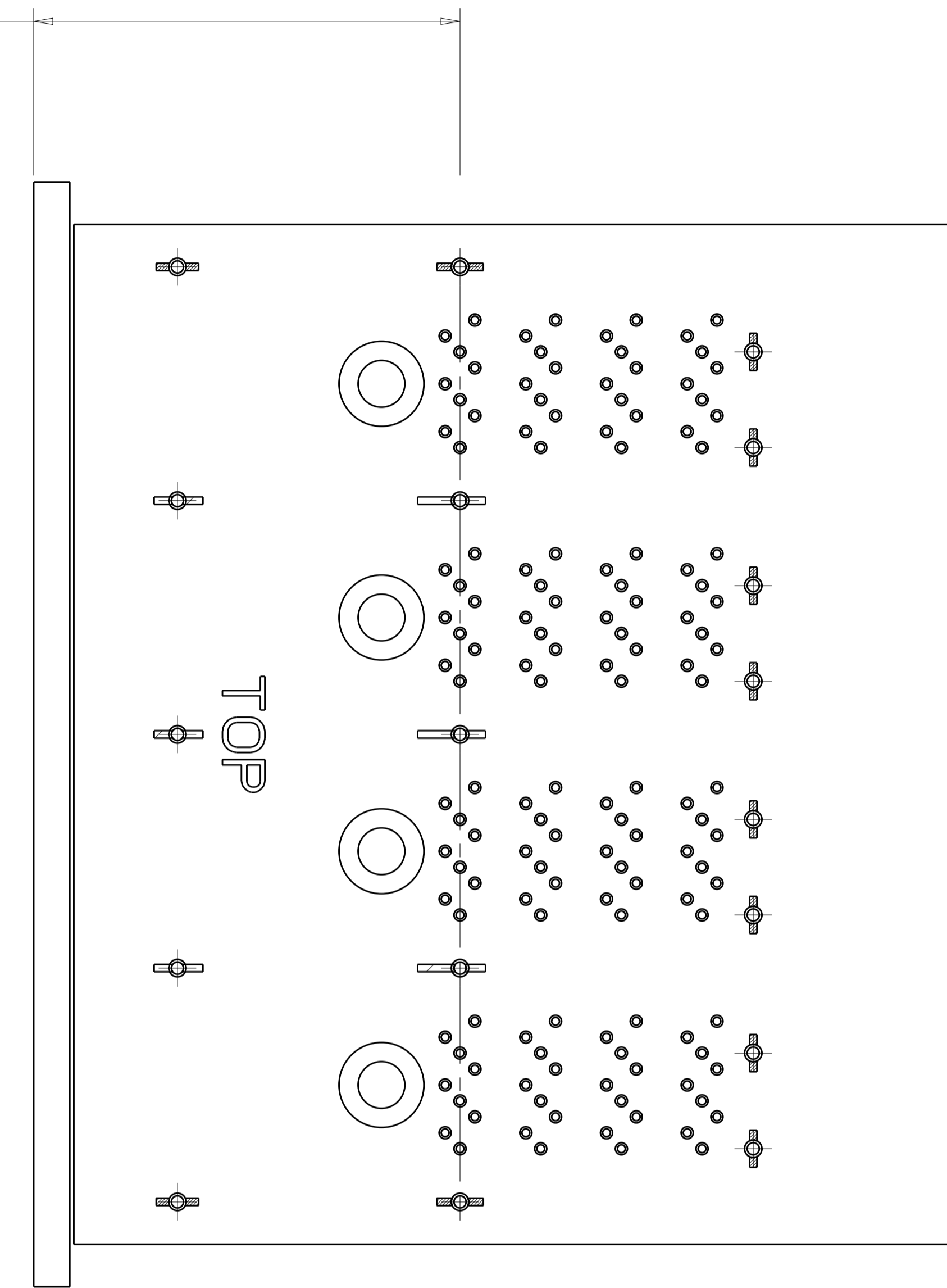
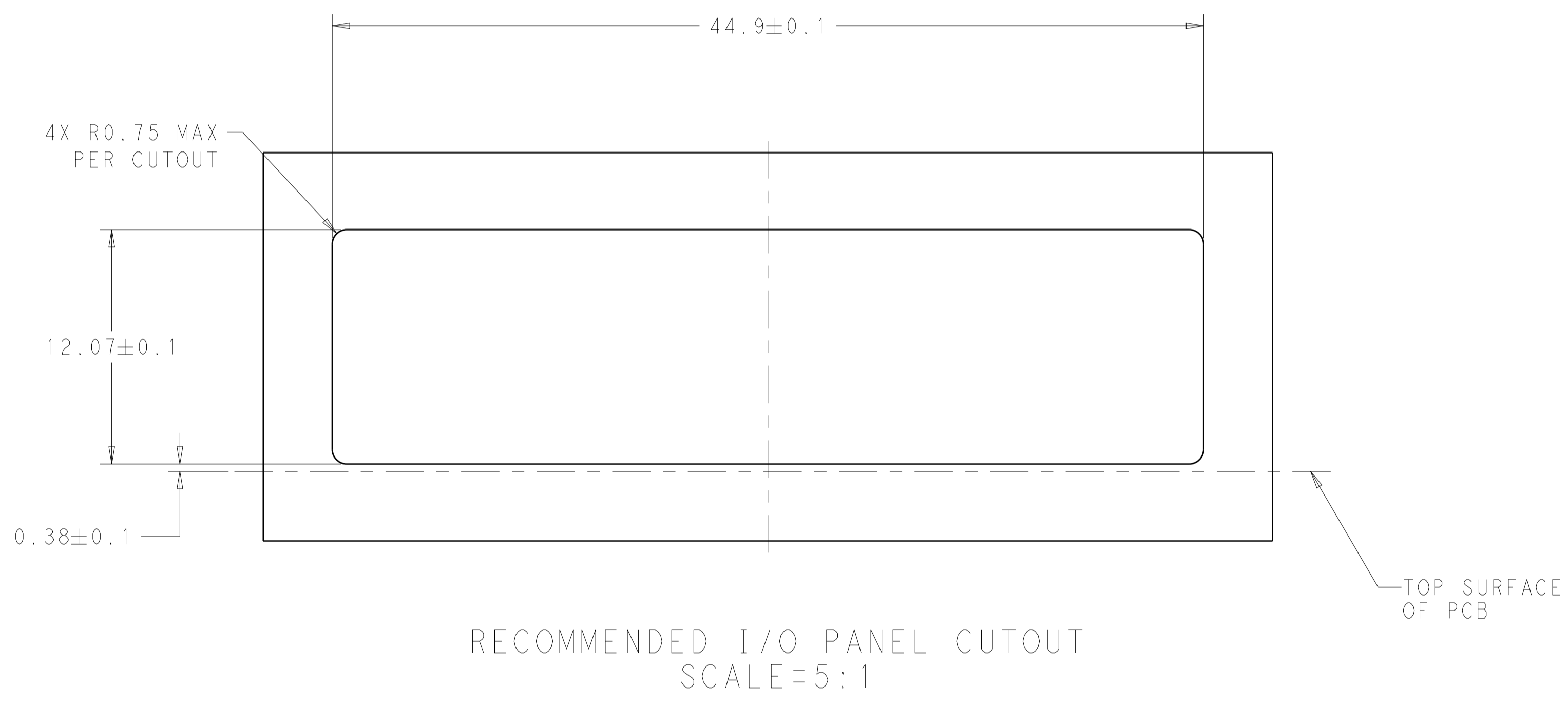
RECOMMENDED PCB LAYOUT



THIS DRAWING IS A CONTROLLED DOCUMENT.		DMN P. KERLIN 06DEC2010	TE Connectivity
DIMENSIONS: mm		CHK J. SECHRIST 06DEC2010	
TOLERANCES UNLESS OTHERWISE SPECIFIED:		APVD -	NAME
0 PLC ±		PRODUCT SPEC	RECEPTACLE ASSEMBLY, MINI-SAS HD, 4X
1 PLC ±		108-2462	
2 PLC ±		APPLICATION SPEC	
3 PLC ±		114-13316	SIZE CAGE CODE DRAWING NO
4 PLC ±		WEIGHT	A100779C=2149375
ANGLES ±		CUSTOMER DRAWING	RESTRICTED TO
FINISH		SCALE 6:1	SHEET 2 OF 3
			REV B

LOC		DIST		REVISIONS			
P	LTN	DESCRIPTION	DATE	DWN	APVD		
-	-	SEE SHEET 1	-	-	-		

19 PCI APPLICATION  
 20.08 ALL OTHER  
 APPLICATIONS



THIS DRAWING IS A CONTROLLED DOCUMENT.		DWN P. KERLIN CHK J. SECHRIST	06DEC2010 06DEC2010		NAME
DIMENSIONS:		TOLERANCES UNLESS OTHERWISE SPECIFIED:			PRODUCT SPEC
mm	0 PLC ±	108-2462		APPLICATION SPEC	SIZE
	2 PLC ±	114-13316		WEIGHT	A100779C=2149375
	3 PLC ±	-		CUSTOMER DRAWING	SCALE 5:1 SHEET 3 OF 3 REV B
MATERIAL	FINISH	-		RESTRICTED TO	