

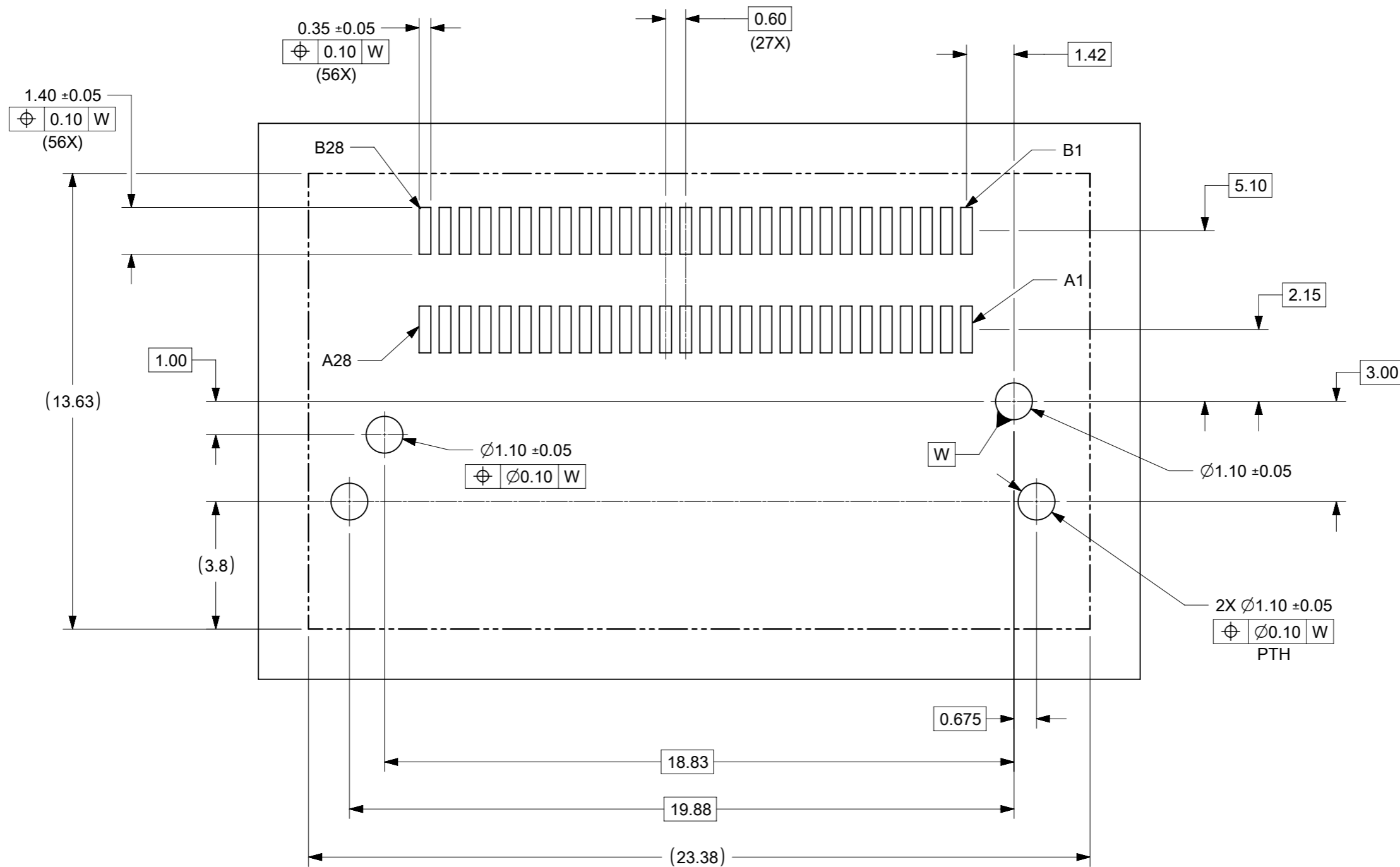
- NOTES:
- MATERIAL:
HOUSING - GLASS FILLED LIQUID CRYSTAL POLYMER, 94-V0, BLACK
TERMINALS - COPPER ALLOY
 - FINISH : REFER TABLE
 - PRODUCT SPECIFICATION : REFER TABLE
 - PACKAGING SPECIFICATION : REFER TABLE
PRODUCT SHALL BE PACKED IN TAPE AND REEL, SEE TABLE
 - APPLICATION SPECIFICATION : REFER TABLE
 - MATING CARD THICKNESS : 1.57 ± 0.13

THIS DESIGN IS BASED ON DESIGN OBJECTIVES AND IS STRICTLY TENTATIVE. IT MAY CHANGE BASED ON RESULT OF ADDITIONAL DESIGN REVIEWS AND VERIFICATIONS

ASSEMBLY PART NO.	PLATING OPTION	PRODUCT SPECIFICATION	PACKAGING SPECIFICATION	APPLICATION SPECIFICATION
2069230056	0.76 MICROMETER /30 MICROINCH MIN. GOLD ON CONTACT. 2.54 MICROMETER /100 MICROINCH MIN. PURE MATTE TIN ON SOLDER TAILS OVER 1.27 MICROMETER /50 MICROINCH MIN. NICKEL UNDERPLATE	2069230001-PS	2069230056-PKG	2066530001-AS

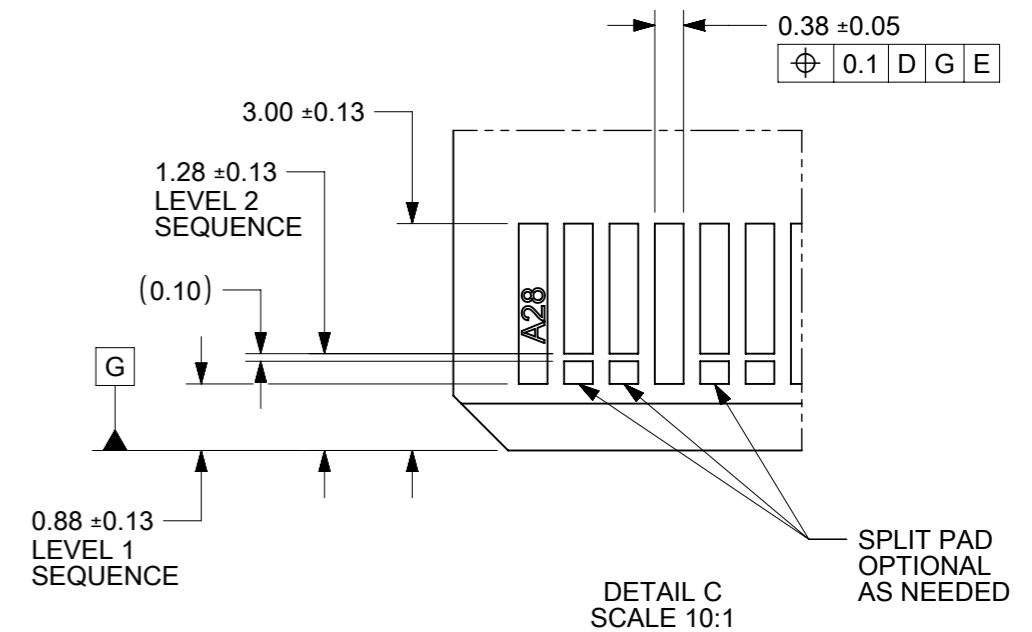
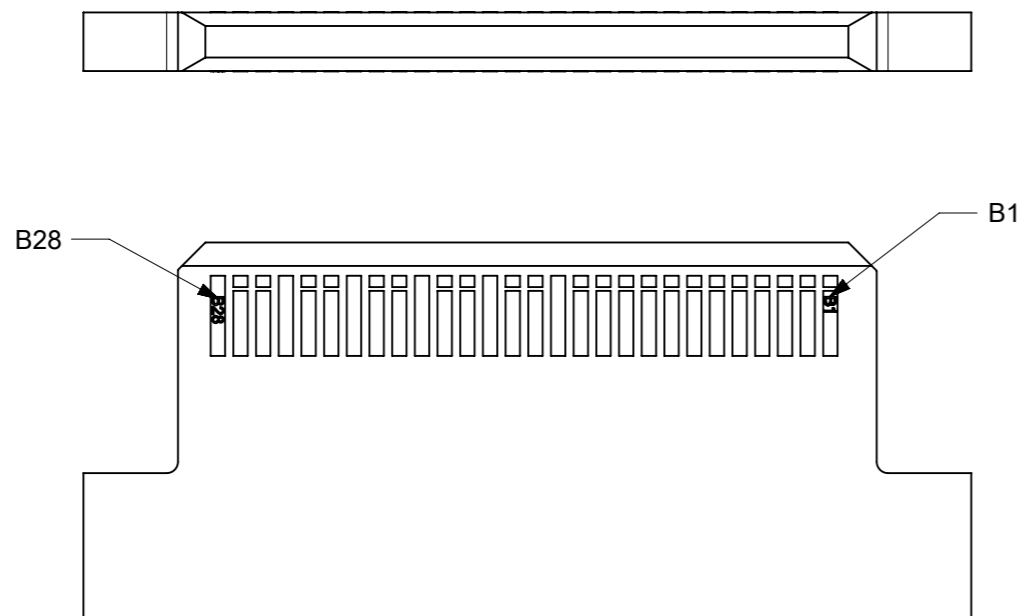
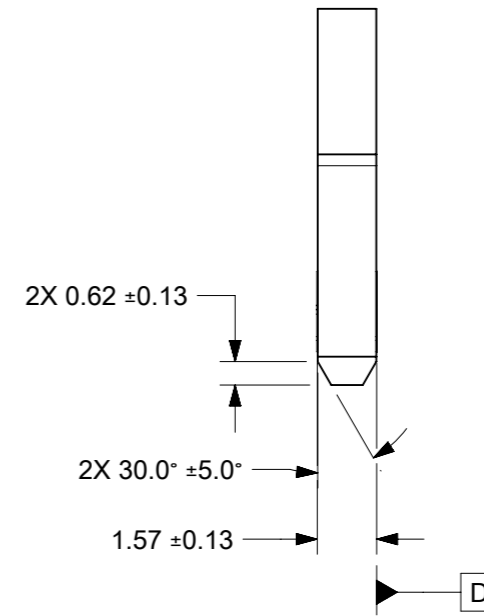
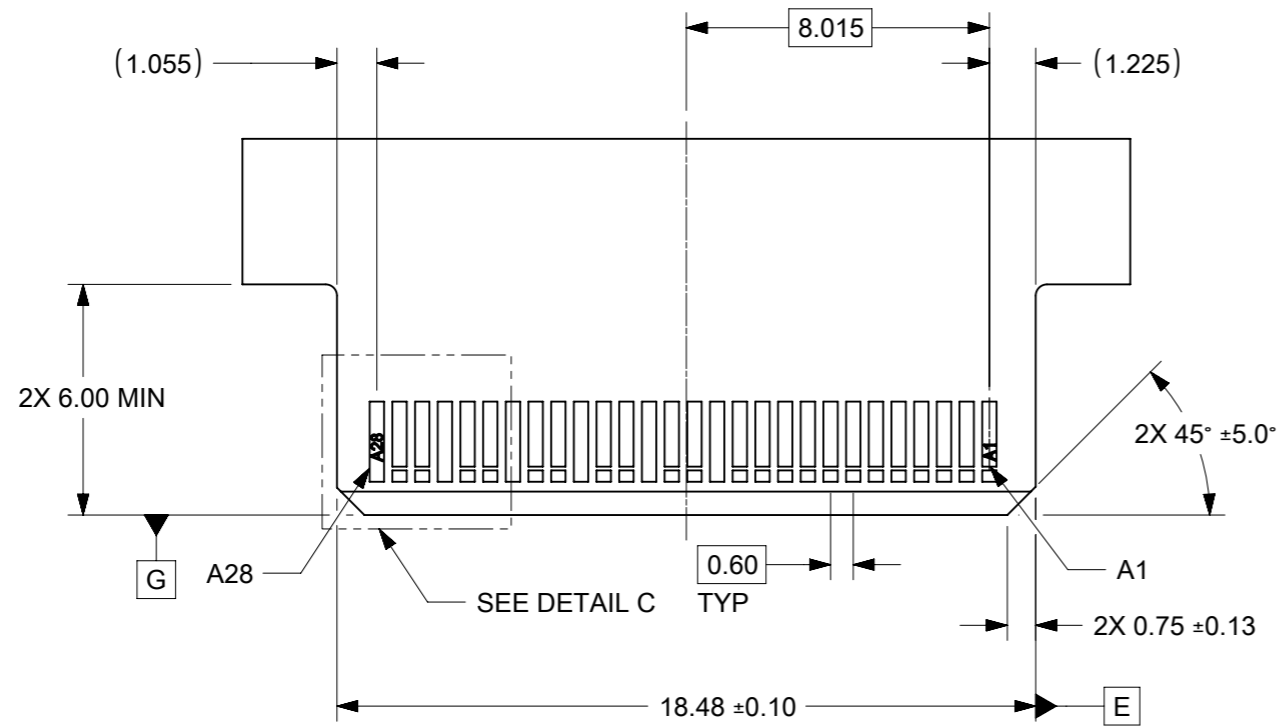
THIS DRAWING CONTAINS INFORMATION THAT IS PROPRIETARY TO MOLEX ELECTRONIC TECHNOLOGIES, LLC AND SHOULD NOT BE USED WITHOUT WRITTEN PERMISSION		CURRENT REV DESC: REVISED		molex		
DIMENSION UNITS	SCALE	EC NO: 667173				SALES DRAWING, 56 POS, 1C, RA
mm	NTS	DRWN: JAKEEMEW 2021/06/16		EDGELINE SLIVER, SMT (1.57 EDGE CARD)		
GENERAL TOLERANCES (UNLESS SPECIFIED)		CHK'D: CCTEH 2021/06/17		PRODUCT CUSTOMER DRAWING		
ANGULAR TOL	± 3.0°	APPR: SHLENI 2021/06/21		DOCUMENT NUMBER		
4 PLACES	±	INITIAL REVISION:		2069230056		
3 PLACES	±	DRWN: BARWANKAR 2018/07/24		DOC TYPE		
2 PLACES	± 0.2	APPR: SHLENI 2019/02/21		PSD		
1 PLACE	±			DOC PART		
0 PLACES	±			000		
DRAFT WHERE APPLICABLE MUST REMAIN WITHIN DIMENSIONS		THIRD ANGLE PROJECTION	DRAWING	SERIES	MATERIAL NUMBER	CUSTOMER
			A3-SIZE	206923	2069230056	GENERAL MARKET
						REVISION
						A3
						SHEET NUMBER
						1 OF 3

RECOMMENDED 1C RIGHT ANGLE PCB FOOT PRINT DIMENSIONS AS PER SFF TA-1002 CONNECTOR SPECIFICATIONS



THIS DRAWING CONTAINS INFORMATION THAT IS PROPRIETARY TO MOLEX ELECTRONIC TECHNOLOGIES, LLC AND SHOULD NOT BE USED WITHOUT WRITTEN PERMISSION											
DIMENSION UNITS		SCALE		CURRENT REV DESC: REVISED						molex	
mm		NTS									
GENERAL TOLERANCES (UNLESS SPECIFIED)											
ANGULAR TOL $\pm 3.0^\circ$											
4 PLACES \pm											
3 PLACES \pm											
2 PLACES ± 0.2											
1 PLACE \pm											
0 PLACES \pm											
DRAFT WHERE APPLICABLE MUST REMAIN WITHIN DIMENSIONS				THIRD ANGLE PROJECTION		DRAWING		SERIES		MATERIAL NUMBER	
						A3-SIZE		206923		2069230056	
										CUSTOMER	
										GENERAL MARKET	
										SHEET NUMBER	
										2 OF 3	

RECOMMENDED 1C MATING CARD DIMENSIONS AS PER SFF TA-1002 CONNECTOR SPECIFICATIONS



THIS DRAWING CONTAINS INFORMATION THAT IS PROPRIETARY TO MOLEX ELECTRONIC TECHNOLOGIES, LLC AND SHOULD NOT BE USED WITHOUT WRITTEN PERMISSION									
DIMENSION UNITS		SCALE		CURRENT REV DESC: REVISED					
mm		NTS		<p>SALES DRAWING, 56 POS, 1C, RA EDGE LINE SLIVER, SMT (1.57 EDGE CARD)</p> <p>PRODUCT CUSTOMER DRAWING</p>					
GENERAL TOLERANCES (UNLESS SPECIFIED)									
ANGULAR TOL ± 3.0°									
4 PLACES ±									
3 PLACES ±									
2 PLACES ± 0.2				INITIAL REVISION:		DOCUMENT NUMBER		DOC TYPE	
1 PLACE ±				DRWN: BARWANKAR 2018/07/24		2069230056		PSD	
0 PLACES ±				APPR: SHLENI 2019/02/21		DOC PART		REVISION	
DRAFT WHERE APPLICABLE MUST REMAIN WITHIN DIMENSIONS				THIRD ANGLE PROJECTION		DRAWING		SHEET NUMBER	
				A3-SIZE		SERIES		3 OF 3	
				206923		MATERIAL NUMBER		GENERAL MARKET	
						CUSTOMER			