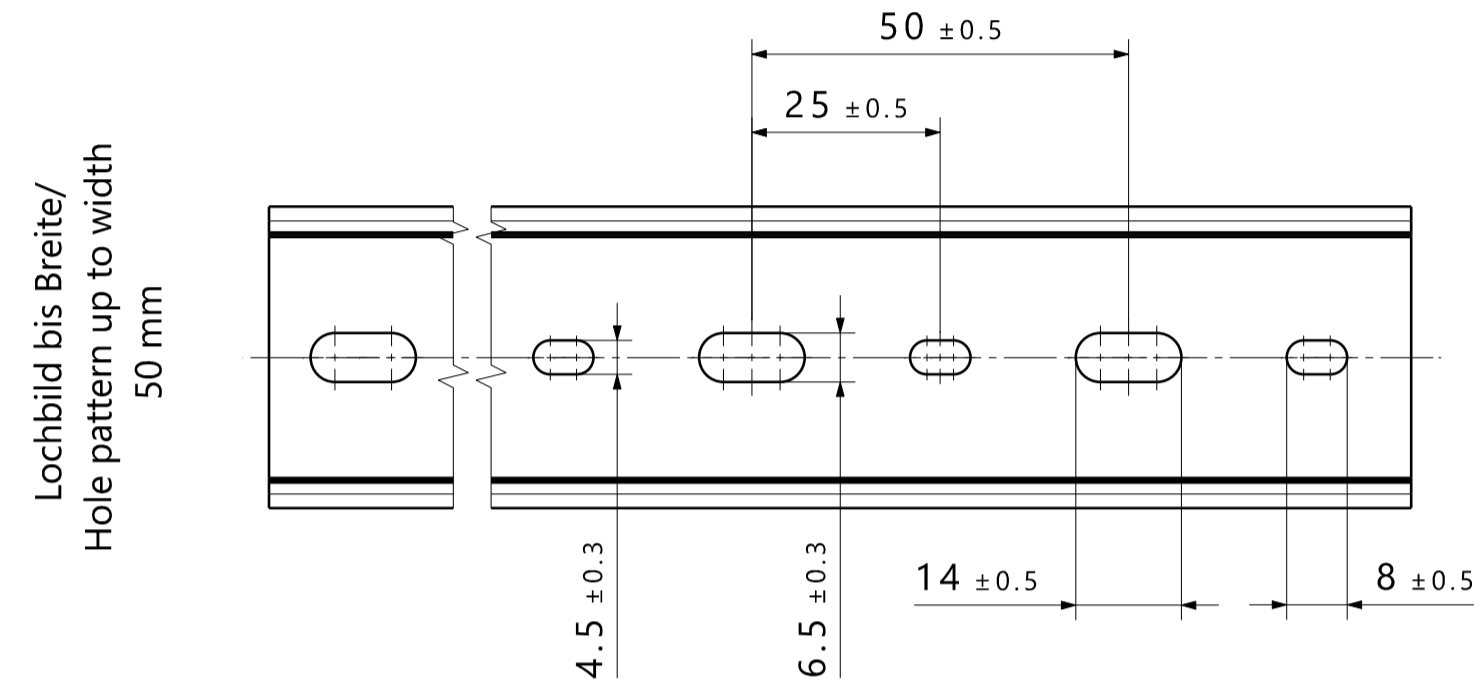
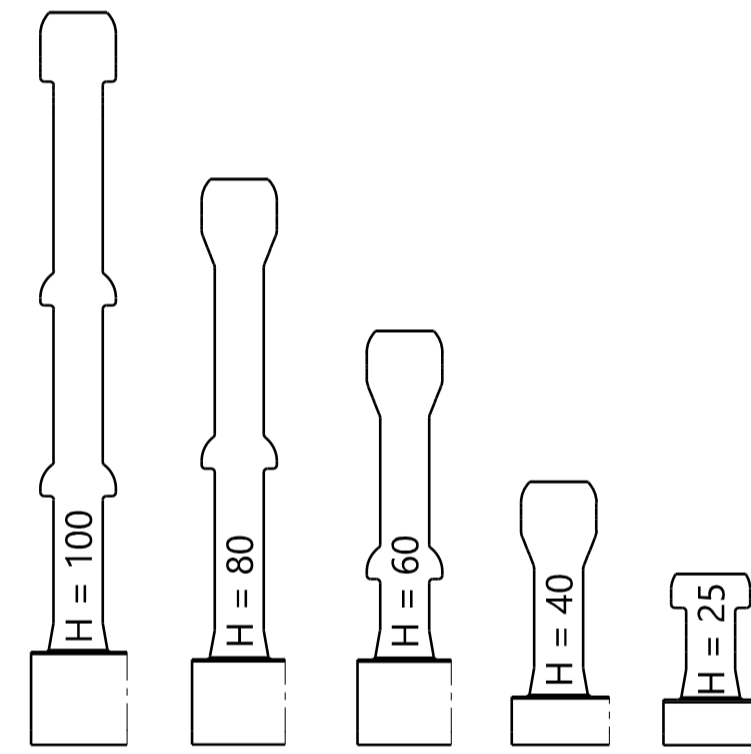
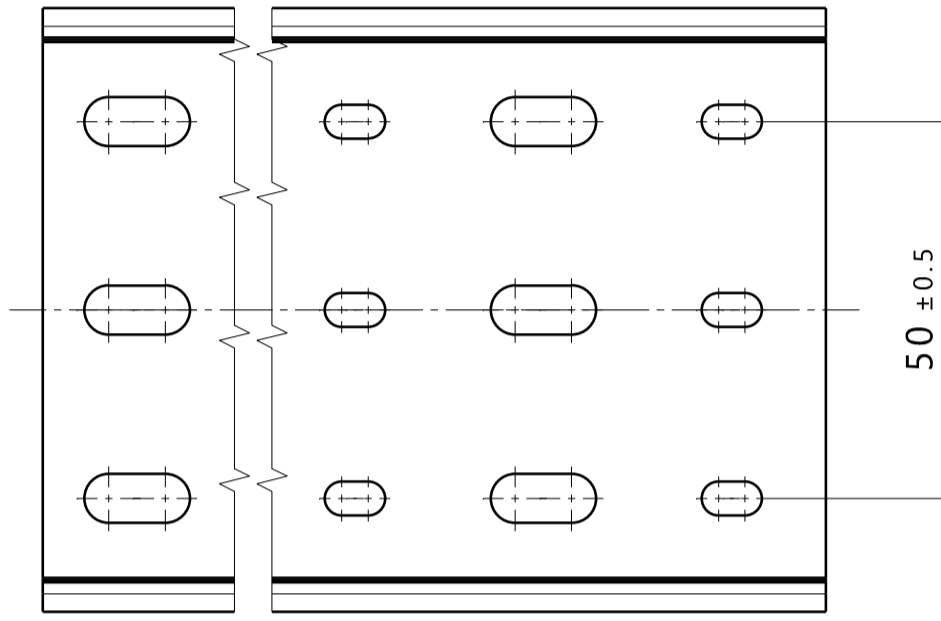


1:2

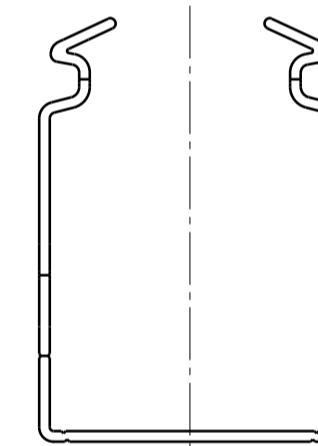
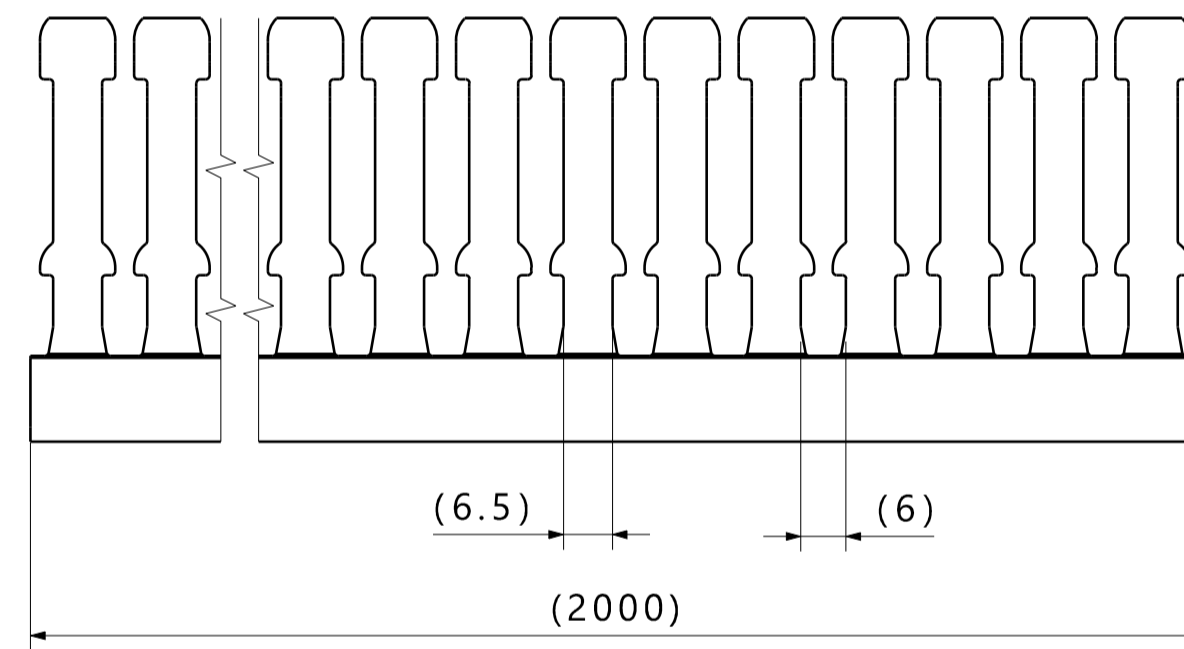


Lochbild bis Breite/
Hole pattern up to width
50 mm

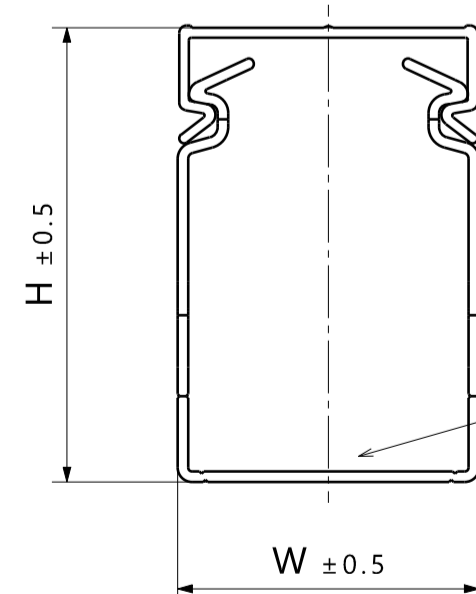
Lochbild ab Breite/
Hole pattern, width upward
80 mm



Side stamping/Seitenstanzung



Assembled with cover/
Montagezustand mit Deckel



A couple of types have webs on the bottom/
Bei einigen Typen befinden sich Stege am Boden

Artikelbezeichnung/ Product Type	W	H	Projektnr./ Project No.
HTWD-HF-25X25	25	25	GPN 16-1921
HTWD-HF-25X40	25	40	GPN 16-1922
HTWD-HF-25X60	25	60	GPN 16-1923
HTWD-HF-25X80	25	80	GPN 16-1924
HTWD-HF-40X25	40	25	GPN 16-1925
HTWD-HF-40X40	40	40	GPN 16-1926
HTWD-HF-40X60	40	60	GPN 16-1927
HTWD-HF-40X80	40	80	GPN 16-1928
HTWD-HF-40X100	40	100	GPN 20-1397
HTWD-HF-60X40	60	40	GPN 16-1929
HTWD-HF-60X60	60	60	GPN 16-1930
HTWD-HF-60X80	60	80	GPN 16-1931
HTWD-HF-60X100	60	100	GPN 16-1932
HTWD-HF-80X40	80	40	GPN 16-1933
HTWD-HF-80X60	80	60	GPN 16-1934
HTWD-HF-80X80	80	80	GPN 16-1935
HTWD-HF-80X100	80	100	GPN 16-1936
HTWD-HF-100X40	100	40	GPN 16-1937
HTWD-HF-100X60	100	60	GPN 16-1938
HTWD-HF-100X80	100	80	GPN 16-1939
HTWD-HF-100X100	100	100	GPN 16-1940
HTWD-HF-120X60	120	60	GPN 16-1941
HTWD-HF-120X80	120	80	GPN 16-1942

Printed copy for information only/
Ausdruck nur zur Information

- Material: PC-ABS
- Material color: grey

- Material: PC-ABS
- Material Farbe: grau

The manufacturing-related geometry changes (injection point, ejector marks, etc.) allowed. Design of the details are left to suppliers discretion.

Durch das Herstellverfahren bedingte Geometrieänderungen (Anspritzung, Auswerfermarkierungen, etc.) zulaessig. Einzelheiten der Ausfuehrung bleiben dem Hersteller ueberlassen.

Revision Level			Revision Record		
Drawing	State	Part	HTWD-HF-40X100 added		
01.1	Design Release	0			
Changed	Date (YYYY/MM/DD)				
A.Hiller	2020/09/09				
Approved	Date (YYYY/MM/DD)				
S.Wulf	2020/09/10				

The copyright of this drawing is reserved by HelleermannTyton.

All drawing revisions are stored in CAD PDM database

Units: mm

HelleermannTyton
www.HelleermannTyton.com

Drawn	Date (YYYY/MM/DD)	Title	Scale
I.Langeloh	2016/11/01	HTWD-HF-... (metrical/metrisch)	1:1
Approved	Date (YYYY/MM/DD)		Global Project Number see table
S.Wulf	2016/11/01		Format A1
Drawing-No. 16-1921-001-CSG			Sheet 1 / 1