

PLEASE CHECK WWW.MOLEX.COM FOR LATEST PART INFORMATION

Part Number: [1731091892](#)
Status: **Active**
Overview: FCT D-Sub Connectors
Description: FCT Standard-Density D-Sub Connector, Female, Straight, PCB Through Hole, Gold over Nickel Phosphorus Plating, 500 Mating Cycles, 5.60mm Snap-in Bolt, 9 Circuits

Documents:

[Datasheet \(PDF\)](#)

[Brochure \(PDF\)](#)

[RoHS Certificate of Compliance \(PDF\)](#)

General

Product Family	D-Sub Products
Series	173109
IP Rating	IP20
Overview	<u>FCT D-Sub Connectors</u>
Product Category	D-Sub Connector
Product Name	FCT Products
Type	Standard Density
UPC	191130143450

Physical

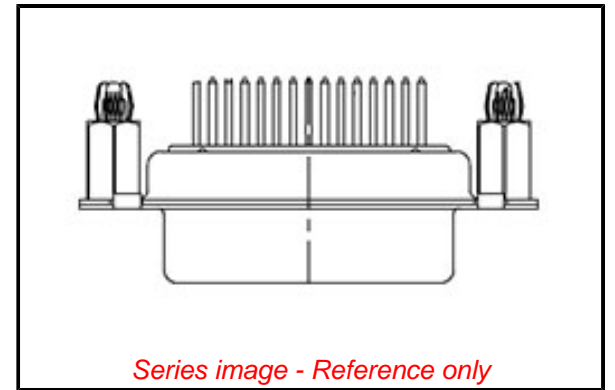
Circuits (Loaded)	9
Circuits (maximum)	9
Color - Resin	White
Durability (mating cycles max)	500
Gender	Female
Material - Contact	Copper Alloy
Material - Resin	PBT
Material - Shell	Steel
Net Weight	9.000/g
Number of Rows	2
Orientation	Straight
PC Tail Length	10.30mm
PCB Locator	Yes
PCB Retention	Yes
PCB Thickness - Recommended	1.60mm
Packaging Type	Carton
Panel Mount	Rear
Panel Mount Method	Thread-In
Pitch - Mating Interface	2.84mm
Pitch - Termination Interface	2.84mm
Plating - Contact	Gold over Nickel Phosphorus
Plating - Shell	Tin
Polarized to Mating Part	Yes
Polarized to PCB	Yes
Ports	1
Shielded	Yes
Temperature Range - Operating	-55° to +125°C
Termination Style	Through Hole
Waterproof / Dustproof	No
Waterproof / Dustproof Type	IP20

Electrical

Current - Maximum per Contact	7.5A
-------------------------------	------

Material Info

Engineering Number	F09S1G1A-0981
--------------------	---------------



EU ELV

Not Relevant

EU RoHS

Compliant with Exemption 6(c)

REACH SVHC

Not Reviewed

Halogen-Free

Status

Not Reviewed

For more information, please visit [Contact US](#)

China ROHS

50 Image

ELV

Not Relevant

RoHS Phthalates

Not Contained

Search Parts in this Series

[173109 Series](#)

Mates With

FCT Standard-Density D-Sub, Size 1, 9 Position, Plug

This document was generated on 03/01/2021

PLEASE CHECK WWW.MOLEX.COM FOR LATEST PART INFORMATION