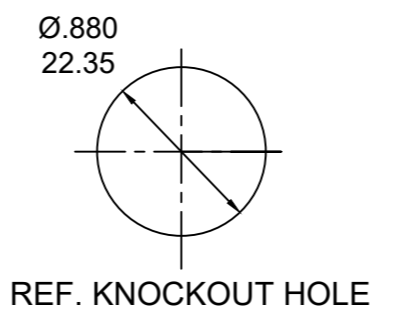
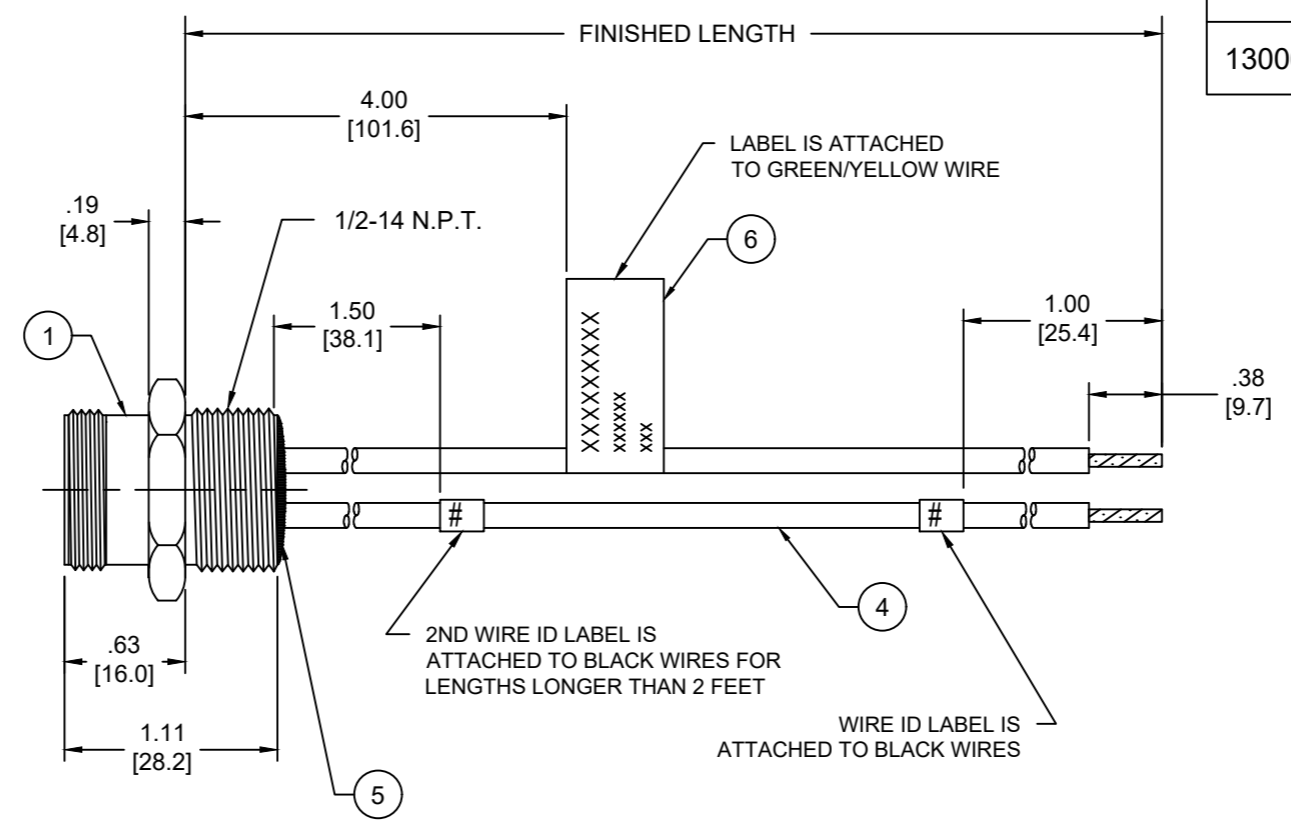


- NOTES:**
- MATERIAL: AS NOTED
 - FINISH: AS NOTED
 - ELECTRICAL:
 - VOLTAGE: 483V PER IEC60664 (E)
 - 600V PER UL2237
 - CURRENT: 15A
 - TEMP RATING: -20° TO +105°C (E)
 - PROTECTION: IP67 (WHEN MATED)
 - COUPLING THREAD: 7/8-16UN
 - UL LISTED FILE: E258922 (E)
 - ALL DIMENSIONS ARE FOR REFERENCE UNLESS TOLERANCED OR NOTED OTHERWISE



PART NUMBER LEGEND
1R4106A82M005G

FINISHED LENGTH:
M005= 0.5 METER
M010= 1 METER
M100= 10 METER

PART NO	ENGINEERING NO.	FINISHED LENGTH
1300660307	1R4106A82M005G	0.5M [1 FT 8 IN]
1300660311	1R4106A82M010G	1M [3 FT 3 IN]
1300660312	1R4106A82M020G	2M [6 FT 7 IN]
1300660313	1R4106A82M030G	3M [9 FT 10 IN]

ITEM	DESCRIPTION	MATERIAL	FINISH
6	FLAG LABEL	VINYL	BLACK/YELLOW
5	POTTING MATERIAL	EPOXY	
4	WIRE, 14 AWG (THHN)	PVC INSULATION	SEE FACE VIEW
3	CONTACT PIN	COPPER ALLOY	GOLD OVER NICKEL
2	MALE INSERT	TPE	BLACK
1	RECEPTACLE SHELL	ZINC DIE-CAST	BLACK-E-COAT

(E)

CABLE LENGTH TOLERANCES

- <.3M [1FT]: +19mm-0 [+0.75in-0]
- .3 - .9M [1 - 3FT]: +44.5mm-0 [+1.75in-0]
- .9 - 1.8M [3 - 6FT]: +55.6mm-0 [+2.19in-0]
- 1.8 - 3.7M [6 - 12FT]: +88.9mm-0 [+3.50in-0]
- 3.7 - 7.3M [12 - 24FT]: +165.1mm-0 [+6.50in-0]
- 7.3-14.6M [24 - 48FT]: +317.5mm-0 [+12.50in-0]
- 14.6 - 30.5M [48-100FT]: +622.3mm-0 [+24.50in-0]
- OVER 30M [100FT] +2% OF FINISHED LENGTH

FUNCTIONAL SYMBOLS F=0 E=0 P=0	THIS DRAWING CONTAINS INFORMATION THAT IS PROPRIETARY TO MOLEX ELECTRONIC TECHNOLOGIES, LLC AND SHOULD NOT BE USED WITHOUT WRITTEN PERMISSION		CURRENT REV DESC: ITEM #2 WAS PVC. ADDED UL & TOL CHART. MODIFIED IEC VOLTAGE, TEMP RATING & PN TABLE.			
	DIMENSION UNITS	SCALE				
	INCH/MM	NTS	EC NO: 698297		PRODUCT CUSTOMER DRAWING	
	GENERAL TOLERANCES (UNLESS SPECIFIED)		DRWN: ABENJAMINLW 2021/06/23		DOCUMENT NUMBER	
4 PLACES ±--- ±---		CHK'D: RSTONE 2022/03/16		SD-130066-068		
3 PLACES ±--- ±---		APPR: BWOODMAN 2022/03/26		PSD 001 E		
2 PLACES ±--- ±---		INITIAL REVISION:		DOC TYPE/DOC PART/REVISION		
1 PLACE ±--- ±---		DRWN: RSTONE 2017/01/11		SEE CHART		
0 PLACES ±--- ±---		APPR: BWOODMAN 2017/01/26		GENERAL MARKET		
ANGULAR TOL ± --- °		THIRD ANGLE PROJECTION		SHEET NUMBER		
DRAFT WHERE APPLICABLE MUST REMAIN WITHIN DIMENSIONS		DRAWING B-SIZE		1 OF 1		