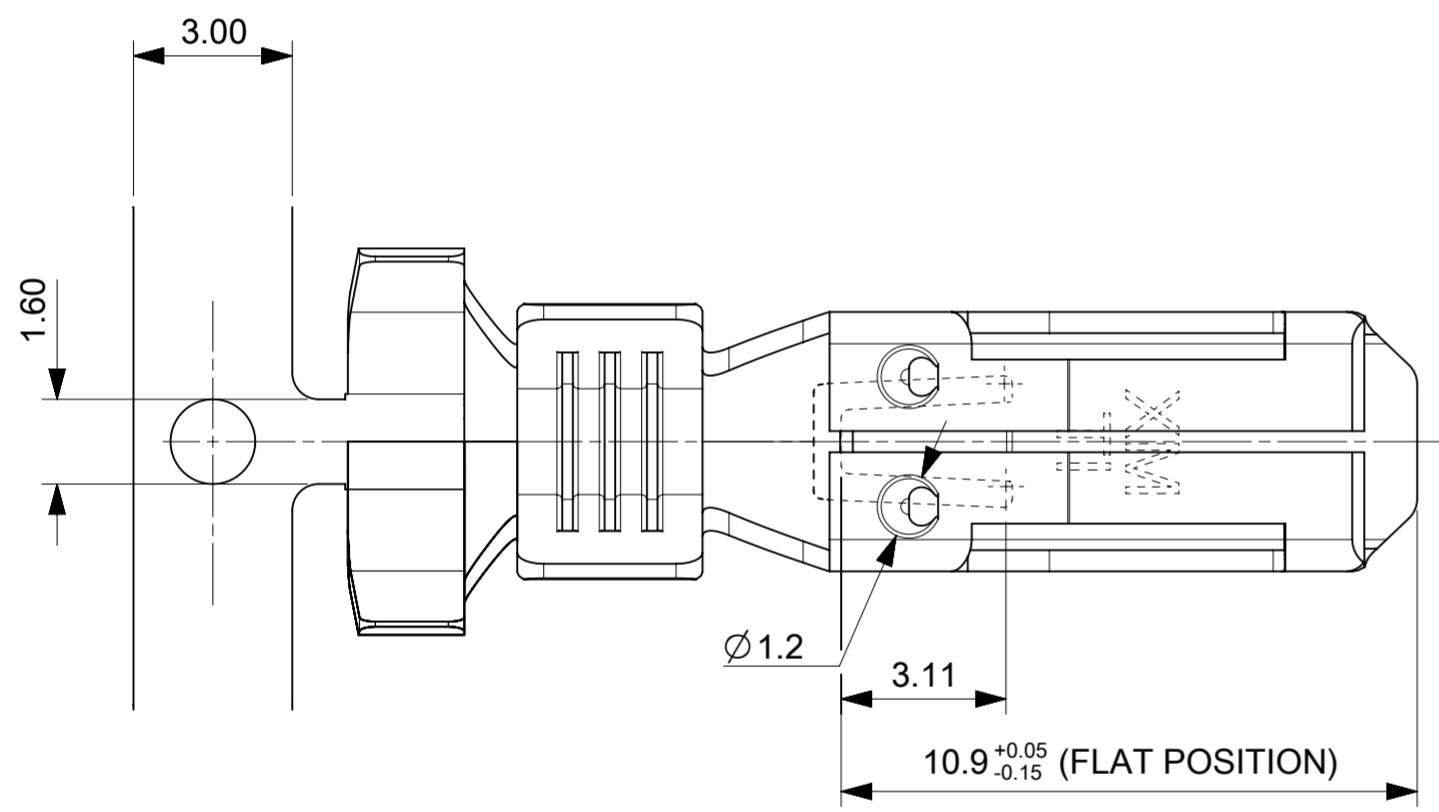


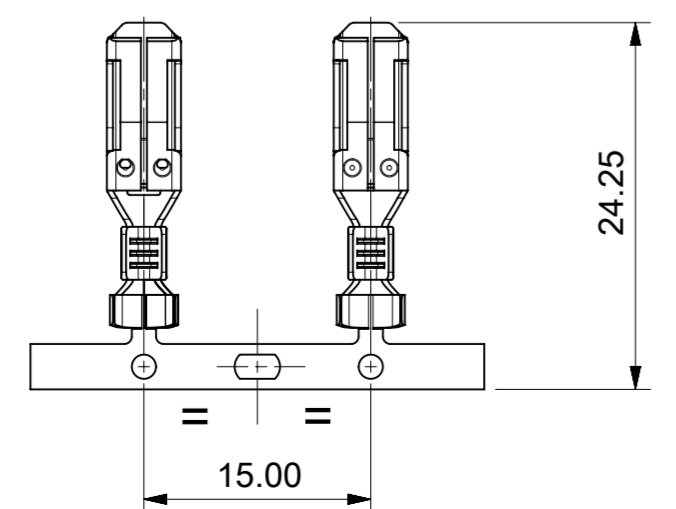
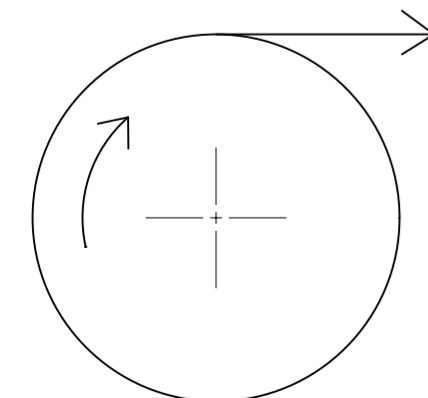
SECTION A-A

SECTION B-B



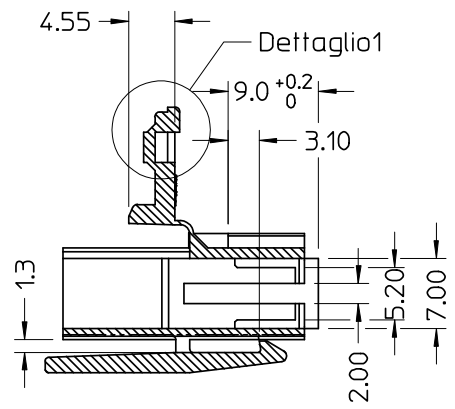
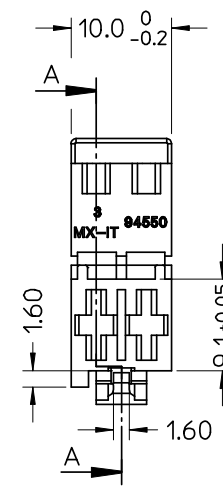
P/N	PLATING	MATERIAL	WIRE RANGE	INS. RANGE	DIMENSION				
					A	B	C	D	E
94518-0100	PLAIN	BRASS	0.5 - 1.0	2.2 - 2.8	4.5	4.5	3.0	3.0	/
94518-0101	TIN								
94518-0200	PLAIN	BRASS	1.0 - 2.5 FOR SINGLE DOUBLE CABLES	2.6 - 3.8	5.5	5.5	4.1	4.3	/
94518-0201	TIN								
94518-0400	PLAIN	BRASS	1.5 - 3.0 FOR DOUBLE CABLES	-	7.3	5.1	5.2	4.0	1.8
94518-0401	TIN								
94518-0300	PLAIN	BRASS	4.0	3.4 - 3.7	5.5	5.5	5.0	5.1	/
94518-0301	TIN								

DIRECTION OF UNREELING

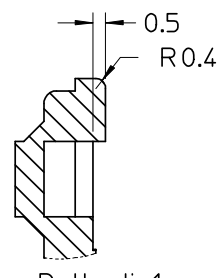


PACKAGING: REFER 945180001-PK  
 STD. DESCRIPTION: HNF TERM (material-plating-wire gauge)

FUNCTIONAL SYMBOLS	THIS DRAWING CONTAINS INFORMATION THAT IS PROPRIETARY TO MOLEX ELECTRONIC TECHNOLOGIES, LLC AND SHOULD NOT BE USED WITHOUT WRITTEN PERMISSION														
	DIMENSION UNITS	SCALE	CURRENT REV DESC: REMOVED PN: 94518-0120,-0121,-0220,-0221												
$F_A = 0$	mm	7:1	<b>molex</b> RAST 5 CRIMP TERMINAL PRODUCT CUSTOMER DRAWING												
$F_C = 0$	GENERAL TOLERANCES (UNLESS SPECIFIED)														
$F_P = 0$	ANGULAR TOL ± 2.0°		EC NO: 657968		2021/03/09		DOCUMENT NUMBER: <b>945180001</b> DOC TYPE: PSD DOC PART: 000 REVISION: <b>A1</b>								
DIVISIONAL SYMBOLS		DRWN: SCV		2021/03/15											
4 PLACES ±		CHK'D: MBN02		2021/03/22											
3 PLACES ±		APPR: SDEVITT		INITIAL REVISION:											
2 PLACES ± 0.1		DRWN: AKABADI		2021/01/07											
1 PLACE ± 0.2		APPR: SDEVITT		2021/02/25											
0 PLACES ±		DRAFT WHERE APPLICABLE MUST REMAIN WITHIN DIMENSIONS		THIRD ANGLE PROJECTION		DRAWING: A2-SIZE		SERIES: 94518		MATERIAL NUMBER: SEE TABLE		CUSTOMER: GENERAL MARKET		SHEET NUMBER: 1 OF 1	

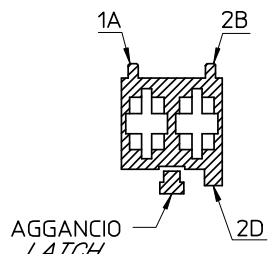


SEZ: A-A

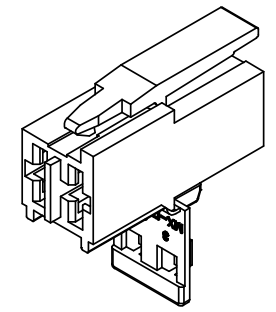


Dettaglio1  
SCALA 5:1

CONFIGURAZIONE POLARIZZAZIONI  
POLARIZATION CONFIGURATION



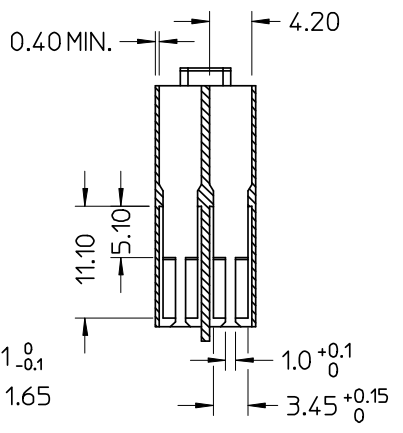
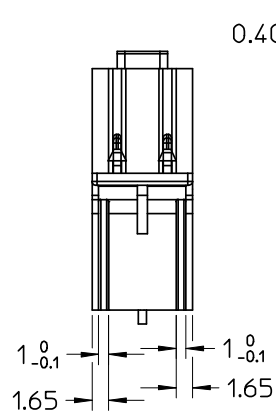
SEZ: C-C



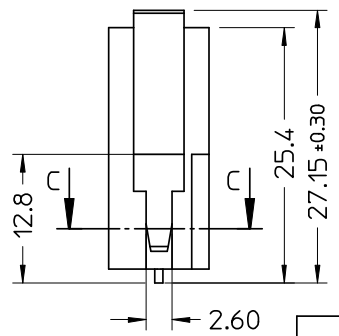
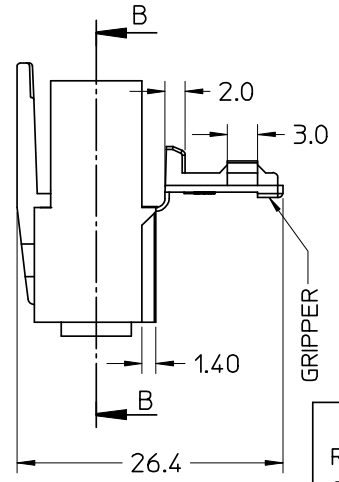
- NOTE:
- USATO CON TERMINALE 94518-0XXX E 94549-0XXX
  - SPECIFICA DI RIFERIMENTO PER IL CONNETTORE PS-94550-001
  - PER CARATTERISTICHE DI CRIMPATURA RIF. SD-94518-005 E SD-94549-001
  - FORZA DI DISACCOPIAMENTO CONNETTORE (TRAZIONANDO DAI CAVI SENZA AZIONARE L'AGGANCIO): 40 N MIN.
  - SPESSORE MINIMO PARETI CONNETTORE 0.40 mm.

- NOTE:
- USED WITH TERMINALS 94518-0XXX AND 94549-0XXX
  - REFER TO PS-94550-001 FOR CONNECTOR SPECIFICATION
  - REFER TO SD-94518-005 AND SD-94549-001 FOR CRIMPING CHARACTERISTICS
  - CONNECTOR DISENGAGEMENT FORCE (PULLING BY THE WIRES, WITHOUT ACTUATING THE LATCH): 40 N MIN.
  - MINIMUM CONNECTOR WALL THICKNESS 0.40 mm.

CONFEZIONE: Box da 3500 Pz.  
PACKAGING: 3500 pcs in carton box



SEZ: B-B

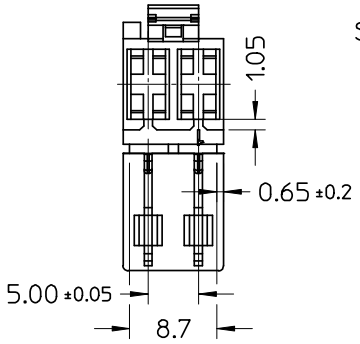


\* AGENCY RECOGNIZATIONS  
CSA (file LR19980)  
UL (file E-29179)

P/N	MATERIAL/COLOR
* 94550-9102	NYLON 6.6 V0 NATURAL
94550-8102	NYLON 6.6 V2 NATURAL
94550-4102	NYLON 6.6 GWT 750°C sec.IEC 60335-1 TEST METHOD IEC 60695-2-11 NATURAL

SPQ = 3500

Std. Descr.: 'HSG W/SEC LOCK AND LATCH 2CKT \_\_\_\_\_ COLOR'



EC NO: Z2006-0038	DESCRIPTION
DRWN: FGOTTARD 2005/09/21	
CHKD: RSANDAN 2005/09/21	
APPR: GZUIN 2005/09/21	
A6	REV

QUALITY SYMBOLS	GENERAL TOLERANCES (UNLESS SPECIFIED)	SCALE 2:1	DESIGN UNITS METRIC	FIRST ANGLE PROJECTION	REVISE ON CAD ONLY
	4 PLACES ± --- ± ---	mm	INCH	DIMENSION STYLE MM ONLY	TITLE HSG 2 CKT WITH SEC.LOCK AND EXTERNAL LATCH
3 PLACES ± --- ± ---	DRAWN BY FGOTTARD		DATE 2002/06/27		MOLEX INCORPORATED
2 PLACES ± 0.10 ± ---	CHECKED BY MTESTAGU		DATE 2002/06/27		
1 PLACE ± 0.2 ± ---	APPROVED BY GZUIN		DATE 2002/06/27		MATERIAL NO. SEE TABLE
ANGULAR ± 2°	DRAFT WHERE APPLICABLE		DOCUMENT NO. SD-94550-006		SHEET NO. 1 OF 1
	MUST REMAIN WITHIN DIMENSIONS		THIS DRAWING CONTAINS INFORMATION THAT IS PROPRIETARY TO MOLEX INCORPORATED AND SHOULD NOT BE USED WITHOUT WRITTEN PERMISSION		A3