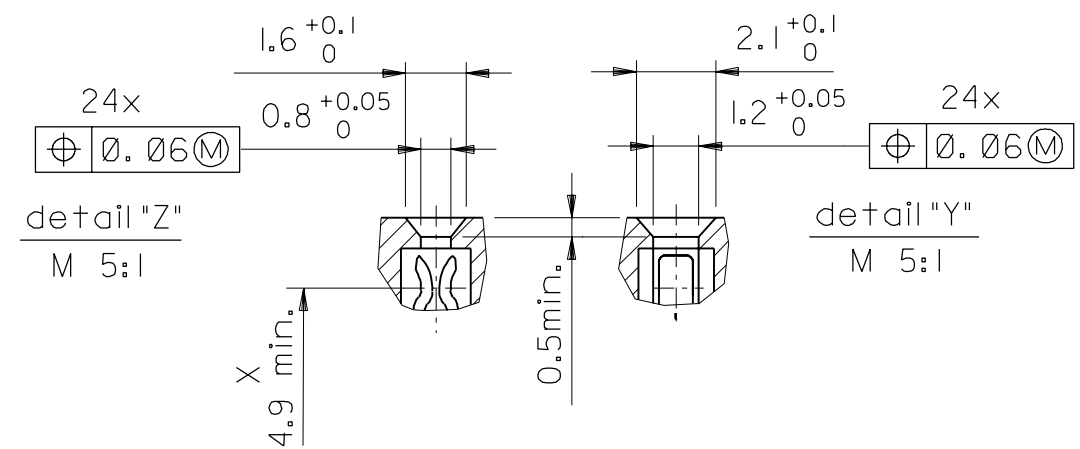


l) tails to fit in PC-board layout
PCB layout see SDA-85054-0001 sheet 2



FIRST ANGLE PROJECTION		REVISE ONLY ON CAD SYSTEM		SH.	REV.
UNLESS OTHERWISE SPECIFIED TOLERANCES: ANGULAR ± 2°	DRWG BY	CAD/CAM PROJECT NAME			
INCH	KN	85056000			
METRIC		s41			
3 PLACE ±	SIGN	THIS DRAWING CONTAINS INFORMATION THAT IS PROPRIETARY TO MOLEX INC. & SHOULD NOT BE USED WITHOUT WRITTEN PERMISSION			
2 PLACE ±		TITLE			
1 PLACE ±		24 pol. Federleiste			
DRAFT WHERE APPLICABLE MUST REMAIN WITHIN DIMENSIONS		24 pos. female connector			
DESIGN DIMENSION	<input checked="" type="checkbox"/> MM	DIN 41612, style M inverted			
	<input type="checkbox"/> IN.	MOLEX MOLEX EUROPE		SHEET NO.	DATE
EQUIVALENT DIMENSION	<input type="checkbox"/> MM	1 OF 1		97/04/23	
	<input type="checkbox"/> IN.	PART NO.		DWG NO.	SIZE
IF TWO DIMENSIONS ARE SHOWN THE UPPER IS THE DESIGN DIMENSION, LOWER IS SECONDARY		SD-85056-0004			B

