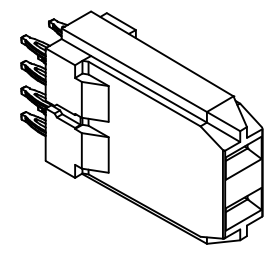
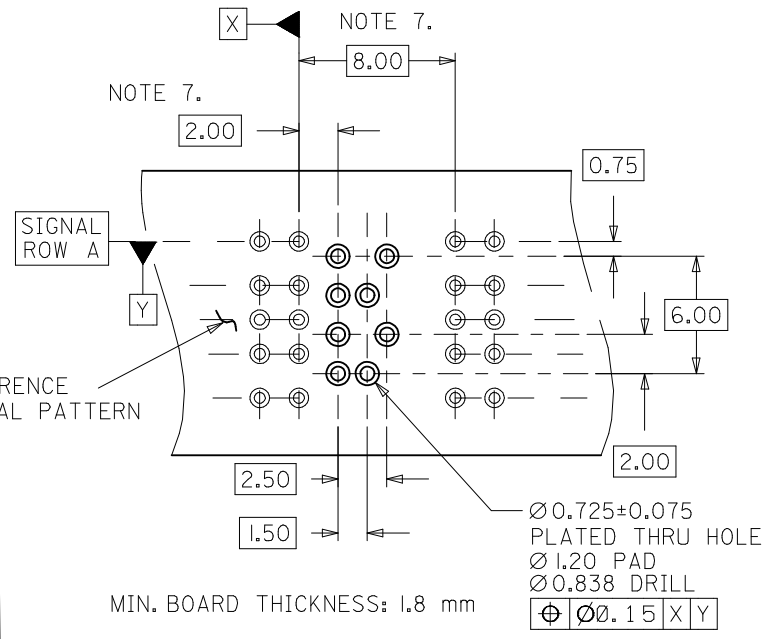
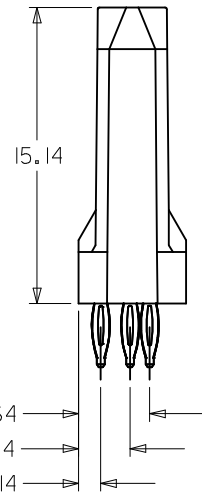
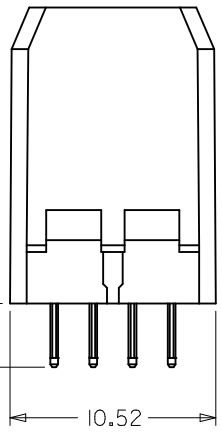
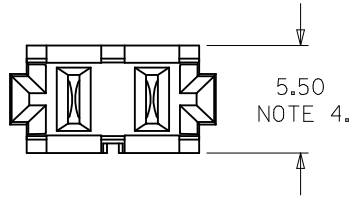
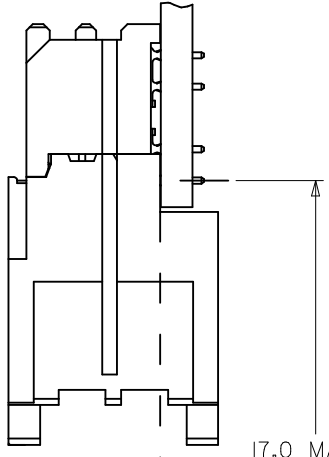


10 9 8 7 6 5 4 3 2 1

ASSEMBLY #	CONTACT PLATING
74029-6000	SEE NOTE 2.
74029-6050	SEE NOTE 3.



12.44 MAX.  
NOTE 5.  
REF.

THE PRIMARY CARTON WITH A LABEL STATING "ELV AND RoHS COMPLIANT" IS LEAD FREE. CARTONS WITHOUT THIS LABEL MAY CONTAIN LEAD.

- NOTES:**
- MATERIALS:** HOUSING - GLASS FILLED LIQUID CRYSTAL POLYMER, UL 94V-0, BLACK; TERMINAL - COPPER ALLOY.
  - FINISH:** SELECT GOLD IN CONTACT AREA, 30 microINCH THICK; MATTE TIN IN COMPLIANT AREA.
  - FINISH:** SELECT GOLD IN CONTACT AREA, 50 microINCH THICK; MATTE TIN IN COMPLIANT AREA.
  - USE 6.0 mm NOMINAL FOR BACKPLANE LAYOUT.
  - DIMENSION IS MEASURED FROM BOTTOM OF HOUSING.
  - PACKED PER PK-70873-0876.
  - THIS DIMENSION TO BE MULTIPLE OF 2.00 mm AS REQUIRED.

<b>LEAD FREE CONVERSION</b> EC NO: DRWNR/RWH/PPLE 2012/12/07 CHKD: MWOLFE 2012/12/07 APPR: SMILLER 2012/12/17 DESCRIPTION:	QUALITY SYMBOLS	GENERAL TOLERANCES (UNLESS SPECIFIED)	DIMENSION STYLE	SCALE	DESIGN UNITS	THIRD ANGLE PROJECTION
	$F/0$ $F/0$ $F/0$	mm INCH 4 PLACES ± --- ± --- 3 PLACES ± --- ± --- 2 PLACES ± --- ± --- 1 PLACE ± --- ± --- 0 PLACE ± --- ± ---	MM ONLY	4:1	INCH	
	DRAWN BY: RWHIPPLE CHECKED BY: MWOLFE APPROVED BY: SMILLER DATE: 2012/12/07 DATE: 2012/12/10 DATE: 2012/12/17	ANGULAR ±1/2° DRAFT WHERE APPLICABLE MUST REMAIN WITHIN DIMENSIONS	DRAWN BY: RWHIPPLE CHECKED BY: MWOLFE APPROVED BY: SMILLER DATE: 2012/12/07 DATE: 2012/12/10 DATE: 2012/12/17	TITLE: HSD POWER 5 ROW BACKPLANE SALES ASSEMBLY <b>molex</b>		DOCUMENT NO.: SD-74029-006 SHEET NO.: 1 OF 1
	MATERIAL NO.: SEE CHART SIZE: B	THIS DRAWING CONTAINS INFORMATION THAT IS PROPRIETARY TO MOLEX INCORPORATED AND SHOULD NOT BE USED WITHOUT WRITTEN PERMISSION				

9 8 7 6 5 4 3 2 1

10 9 8 7 6 5 4 3 2 1

NOTES:

1. MATERIALS:

HOUSING - LIQUID CRYSTAL POLYMER (LCP),  
UL94 V-0, COLOR: BLACK.

TERMINAL - COPPER ALLOY

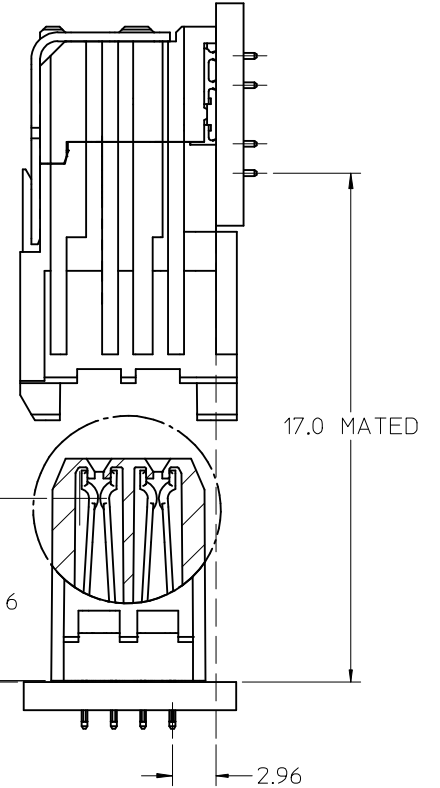
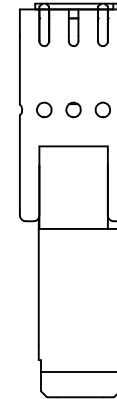
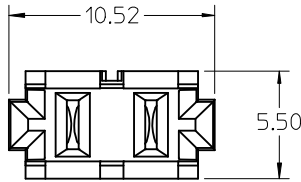
2. FINISH: SELECTIVE GOLD ON MATING SURFACE,  
MATTE TIN ON TAILS; NICKEL UNDERPLATE.

3. THIS PART CONFORMS TO PRODUCT SPECIFICATION  
PS-74031-999.

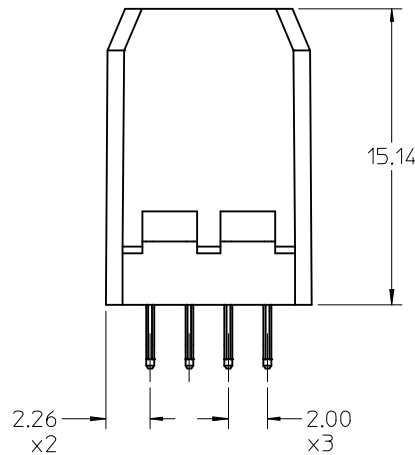
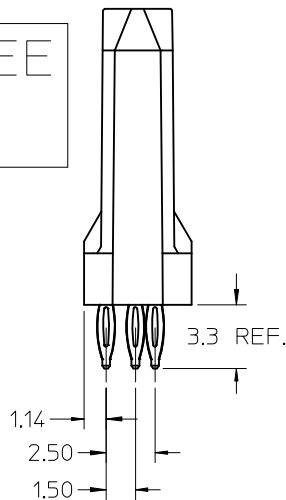
4. SINGLE ROW ASSEMBLY PACKAGED PER PK-70873-0876.

5. MATES WITH 74026 SERIES DAUGHTERCARD POWER ASSEMBLY.

6. MATING INTERFACE MEASURED FROM BOTTOM OF HOUSING.



LEAD-FREE  
PLATING



MOLEX P/N	GOLD THICKNESS (MINIMUM)	TAIL PLATING
74029-6000	30 MICROINCHES	MATTE TIN
74029-6050	50 MICROINCHES	

ADD LEADED P/N	DESCRIPTION
EC NO: UCP2013-0146	
DRW:SVANG01	2012/07/12
CHKD:WOLFE	2012/07/12
APPR:SMILLER	2012/08/06

QUALITY SYMBOLS
$\nabla = 0$
$\nabla = 0$
$\nabla = 0$

GENERAL TOLERANCES (UNLESS SPECIFIED)	
mm	INCH
4 PLACES ± ---	± ---
3 PLACES ± ---	± ---
2 PLACES ± 0.25	± ---
1 PLACE ± 0.38	± ---
0 PLACE ±	±
ANGULAR ± 1/2°	
DRAFT WHERE APPLICABLE MUST REMAIN WITHIN DIMENSIONS	

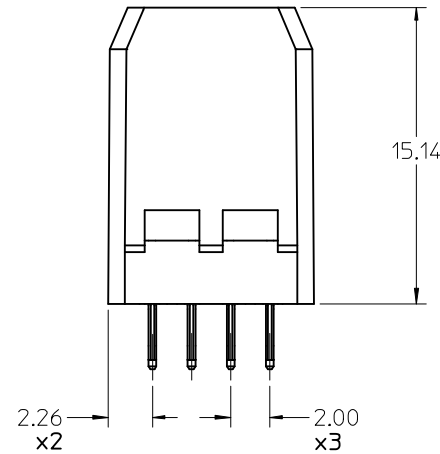
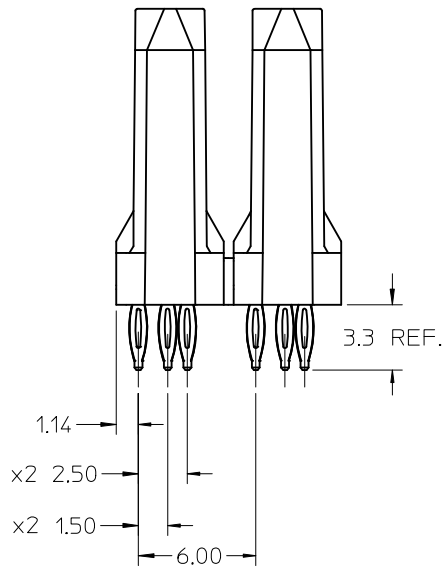
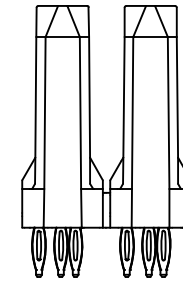
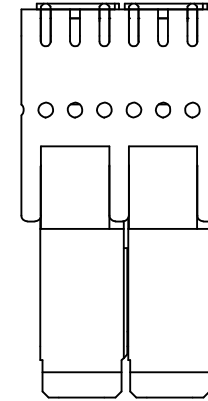
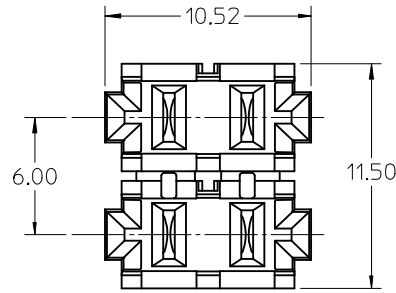
DIMENSION STYLE	
MM ONLY	
DRAWN BY	DATE
ELO	2003/07/14
CHECKED BY	DATE
STANFORD	2003/07/17
APPROVED BY	DATE
BIXLER	2003/07/21
MATERIAL NO.	
SEE TABLE	

SCALE	DESIGN UNITS	THIRD ANGLE PROJECTION
4:1	METRIC	
TITLE		
VHDM/HSD POWER 6 ROW BACKPLANE SALES DRAWING		
<b>molex</b>		
DOCUMENT NO.	SHEET NO.	
SD-74029-011	1 OF 3	

9 8 7 6 5 4 3 2 1

NOTES:

1. THIS DESIGN INTENDED AS OPTION TO HAVING TWO SINGLE ROW MODULES NEXT TO EACH OTHER.
2. FINISH: SELECTIVE GOLD ON MATING SURFACE; TIN/LEAD OR MATTE TIN ON TAILS; NICKEL UNDERPLATE.
3. DUAL ROW ASSEMBLIES PACKED PER PK-70873-545.

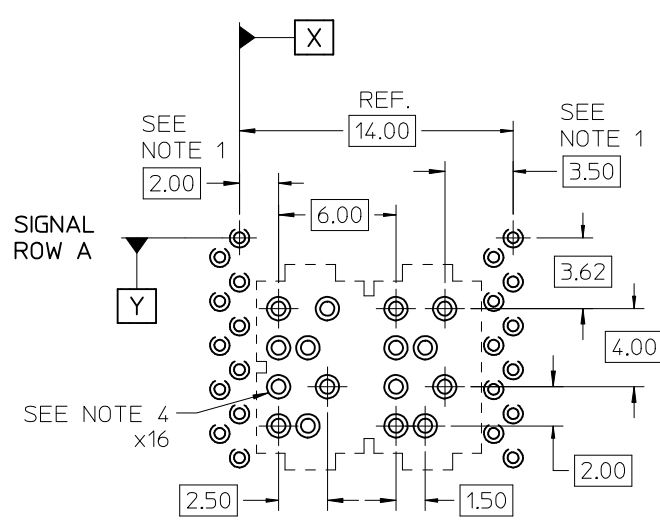


DUAL ROW ASSEMBLY

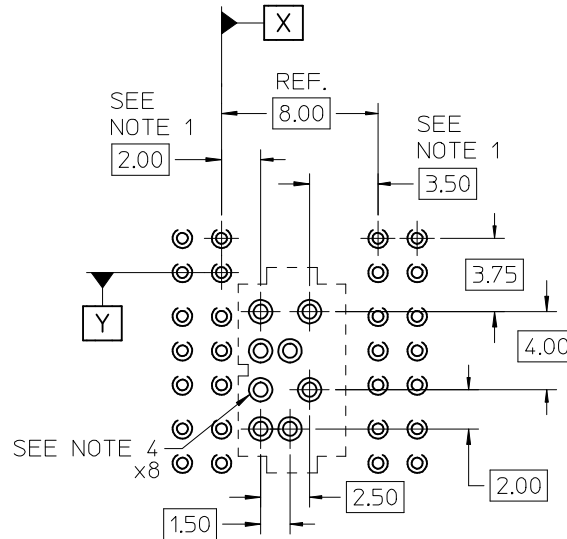
MOLEX P/N	GOLD THICKNESS (MINIMUM)	TAIL PLATING
74029-6002	30 MICROINCHES	MATTE TIN
74029-6052	50 MICROINCHES	
74029-6902	30 MICROINCHES	TIN/LEAD
74029-6952	50 MICROINCHES	

SEE SHEET 1 EC NO: UCP2013-0146 DRWN:SVANG01 2012/07/12 CHKD:MWOLF 2012/07/12 APPR:SMILLER 2012/08/06	QUALITY SYMBOLS	GENERAL TOLERANCES (UNLESS SPECIFIED)	DIMENSION STYLE	SCALE	DESIGN UNITS	THIRD ANGLE PROJECTION
	∇=0 ∇=0 ∇=0	4 PLACES ± --- ± --- 3 PLACES ± --- ± --- 2 PLACES ± 0.25 ± --- 1 PLACE ± 0.38 ± --- 0 PLACE ± ±	MM ONLY	4:1	METRIC	DRAWN BY DATE ELO 2003/07/14 CHECKED BY DATE STANFORD 2003/07/17 APPROVED BY DATE BIXLER 2003/07/21
		ANGULAR ±1/2°				TITLE
		DRAFT WHERE APPLICABLE MUST REMAIN WITHIN DIMENSIONS	SEE TABLE			VHDM/HSD POWER 6 ROW BACKPLANE SALES DRAWING
					<b>molex</b>	
					DOCUMENT NO. SD-74029-011	SHEET NO. 2 OF 3
					THIS DRAWING CONTAINS INFORMATION THAT IS PROPRIETARY TO MOLEX INCORPORATED AND SHOULD NOT BE USED WITHOUT WRITTEN PERMISSION	

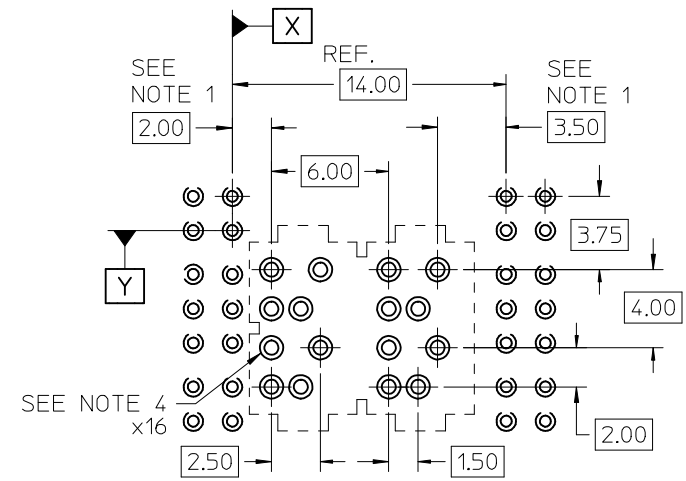
# BOARD LAYOUTS: 1.8 mm MIN. BOARD THICKNESS



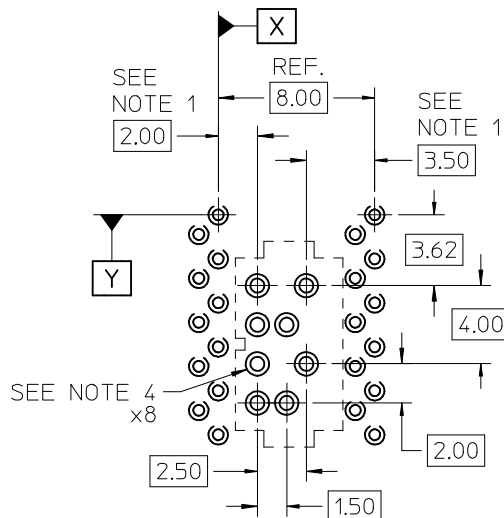
VHDM DUAL ROW POWER



VHDM-HSD SINGLE ROW POWER



VHDM-HSD DUAL ROW POWER

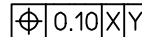


VHDM SINGLE ROW POWER

**NOTES:**

1. ADDITIONAL SPACING CAN BE ADDED IN MULTIPLES OF 2.0 mm AS REQUIRED. FOR EACH ADDITIONAL SINGLE ROW POWER, ADD 6.00 mm.
2. SIGNAL ROW A IS IN LINE WITH DATUM Y IN ALL FOUR LAYOUTS.
3. FOUR HOLES ARE USED PER POWER CONTACT.
4. EACH POWER HOLE TO BE MANUFACTURED AS FOLLOWS:

- Ø0.725±0.075 PLATED THROUGH HOLE
- Ø1.20 PAD
- Ø0.838 DRILL



<b>SEE SHEET 1</b> EC NO: UCP2013-0146 IDRW: SVANG01 2012/07/12 CHKD: MWOLF 2012/07/12 APPR: SMILLER 2012/08/06	QUALITY SYMBOLS $\nabla Z=0$ $\nabla Z=0$ $\nabla Z=0$	GENERAL TOLERANCES (UNLESS SPECIFIED)		DIMENSION STYLE <b>MM ONLY</b>		SCALE 4:1	DESIGN UNITS METRIC	THIRD ANGLE PROJECTION	
		4 PLACES ± --- ± ---	INCH	DRAWN BY ELO	DATE 2003/07/14	TITLE VHDM/HSD POWER 6 ROW BACKPLANE SALES DRAWING			
		3 PLACES ± --- ± ---	2 PLACES ± 0.25 ± ---	CHECKED BY STANFORD	DATE 2003/07/17	<b>molex</b>			
		1 PLACE ± 0.38 ± ---	0 PLACE ± ±	APPROVED BY BIXLER	DATE 2003/07/21	MATERIAL NO. SEE TABLE	DOCUMENT NO. SD-74029-011	SHEET NO. 3 OF 3	
DRAFT WHERE APPLICABLE MUST REMAIN WITHIN DIMENSIONS		ANGULAR ±1/2°		THIS DRAWING CONTAINS INFORMATION THAT IS PROPRIETARY TO MOLEX INCORPORATED AND SHOULD NOT BE USED WITHOUT WRITTEN PERMISSION					