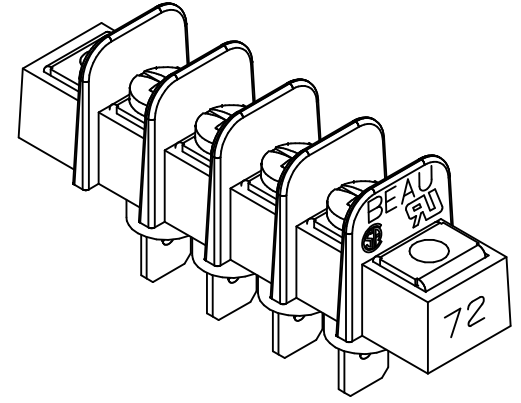
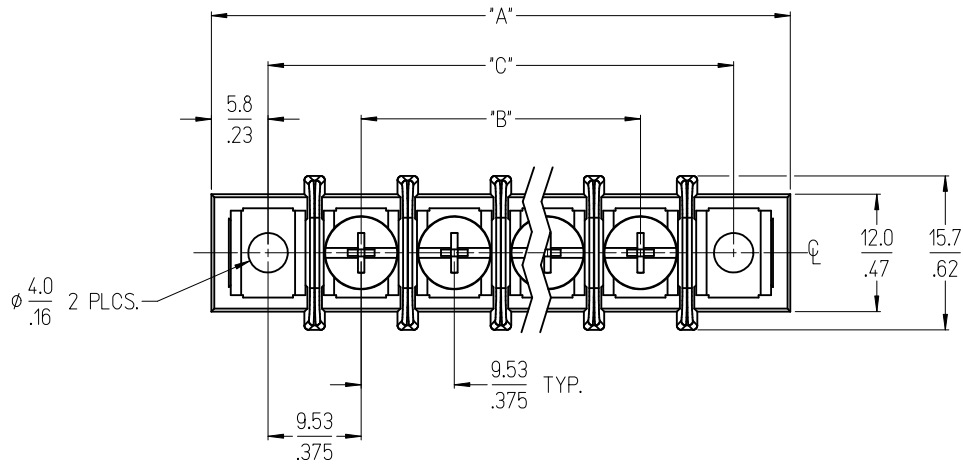
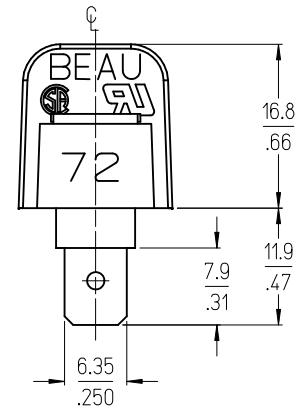
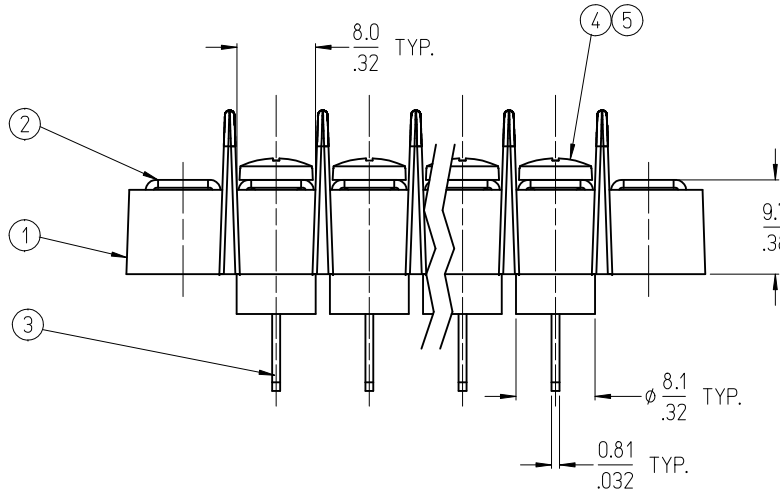


REF. -50 OPT. SCREW
(WHERE APPLICABLE)



4 CIRCUIT SHOWN



NOTES:

- 1. MATERIAL: SEE TABLE
- 2. 'XX' REFERS TO THE QUANTITY OF CIRCUITS.
- 3. ROHS COMPLIANT.

6	XX	SCREW&WASHER, #6-32X.25, PAN, PH/SL (-50 OPT)	STEEL	ZN. CLEAR CHROMATE
5	XX	SCREW, #6-32X.25, BHD, PH/SL (-49 OPT)	BRASS	NICKEL PLATE
4	XX	SCREW, #6-32X.25, BHD, PH/SL (STD.)	STEEL	ZN. CLEAR CHROMATE
3	XX	TERMINAL, FT .250	BRASS	TIN PLATE
2	2	MOUNTING PLATE	BRASS	NICKEL PLATE
1	1	INSULATOR, SR W/MTG. .250 SLOT	POLYESTER (PBT)	BLACK
ITEM	QTY.	DESCRIPTION	MATERIAL	FINISH

INITIAL RELEASE
 EC NO: WNA2011-0364
 DRAWN: JENC INAS 2011/03/04
 CHKD: JMACNEIL 2011/03/04
 APPR: JMACNEIL 2011/04/08

QUALITY SYMBOLS
 ▽=0
 ▽=0

GENERAL TOLERANCES (UNLESS SPECIFIED)	
	mm INCH
4 PLACES	± --- ± ---
3 PLACES	± --- ± .005
2 PLACES	± 0.13 ± .01
1 PLACE	± 0.3 ± ---
ANGULAR ± 2°	
DRAFT WHERE APPLICABLE MUST REMAIN WITHIN DIMENSIONS	

DIMENSION STYLE	
MM/IN	
DRAWN BY	DATE
R. KEMP	2003/04/14
CHECKED BY	DATE
R. STONE	2003/04/14
APPROVED BY	DATE
JMACNEIL	2011/04/08
MATERIAL NO.	

SCALE	DESIGN UNITS	THIRD ANGLE PROJECTION
2:1	INCH	
TITLE		
9.53MM [.375] SR BTS, FT 250 ASSY W/MTG. ENDS		
MATERIAL NO.		SHEET NO.
SEE SHT. 2		1 OF 2
THIS DRAWING CONTAINS INFORMATION THAT IS PROPRIETARY TO MOLEX INCORPORATED AND SHOULD NOT BE USED WITHOUT WRITTEN PERMISSION		

NO. OF CIRCUITS	DIM. "A"		DIM. "B"		DIM. "C"		ASSEMBLY MATERIAL NO. (STANDARD)	ASSEMBLY MATERIAL NO. (-49 OPT)	ASSEMBLY MATERIAL NO. (-50 OPT)
	mm	in	mm	in	mm	in			
02	40.1	1.58	9.53	0.375	28.58	1.125			
03	49.7	1.96	19.05	0.750	38.10	1.500	387291439		387291423
04	59.2	2.33	28.58	1.125	47.63	1.875	387291526		
05	68.7	2.71	38.10	1.500	57.15	2.250	387291050	387290971	
06	78.2	3.08	47.63	1.875	66.68	2.625			
07	87.8	3.46	57.15	2.250	76.20	3.000			387291487
08	97.3	3.83	66.68	2.625	85.73	3.375		387291028	
09	106.8	4.21	76.20	3.000	95.25	3.750			
10	116.3	4.58	85.73	3.375	104.78	4.125			
11	125.9	4.96	95.25	3.750	114.30	4.500			
12	135.4	5.33	104.78	4.125	123.83	4.875			
13	144.9	5.71	114.30	4.500	133.35	5.250			
14	154.4	6.08	123.83	4.875	142.88	5.625		387291036	387291630
15	164.0	6.46	133.35	5.250	152.40	6.000			
16	173.5	6.83	142.88	5.625	161.93	6.375			
17	183.0	7.21	152.40	6.000	171.45	6.750			
18	192.5	7.58	161.93	6.375	180.98	7.125	387291508	387290850	
19	202.1	7.96	171.45	6.750	190.50	7.500			
20	211.6	8.33	180.98	7.125	200.03	7.875			387291628
21	221.1	8.71	190.50	7.500	209.55	8.250			
22	230.6	9.08	200.03	7.875	219.08	8.625		387291038	
23	240.2	9.46	209.55	8.250	228.60	9.000			
24	249.7	9.83	219.08	8.625	238.13	9.375		387291642	
25	259.2	10.21	228.60	9.000	247.65	9.750			
26	268.7	10.58	238.13	9.375	257.18	10.125			

SEE SHEET 1 EC NO: WNA2011-0364 DRWN: JENC INAS 2011/03/04 CHKD: JMACNEIL 2011/03/04 APPR: JMACNEIL 2011/04/08	QUALITY SYMBOLS	GENERAL TOLERANCES (UNLESS SPECIFIED)	DIMENSION STYLE	SCALE	DESIGN UNITS	THIRD ANGLE PROJECTION
	$\nabla=0$ $\nabla=0$	mm INCH	MM/IN	---	INCH	
		4 PLACES ± --- ± ---	DRAWN BY DATE	TITLE 9.53MM [.375] SR BTS, FT 250 ASSY W/MTG. ENDS		
		3 PLACES ± --- ± .005	R. KEMP 2003/04/14			
		2 PLACES ± 0.13 ± .01	CHECKED BY DATE	MOLEX INCORPORATED		
	1 PLACE ± 0.3 ± ---	R. STONE 2003/04/14				
	ANGULAR ± 2 °	APPROVED BY DATE	DOCUMENT NO. SD-38729-060 SHEET NO. 2 OF 2			
		JMACNEIL 2011/04/08				
	DRAFT WHERE APPLICABLE MUST REMAIN WITHIN DIMENSIONS	MATERIAL NO.	THIS DRAWING CONTAINS INFORMATION THAT IS PROPRIETARY TO MOLEX INCORPORATED AND SHOULD NOT BE USED WITHOUT WRITTEN PERMISSION			
		SEE CHART				