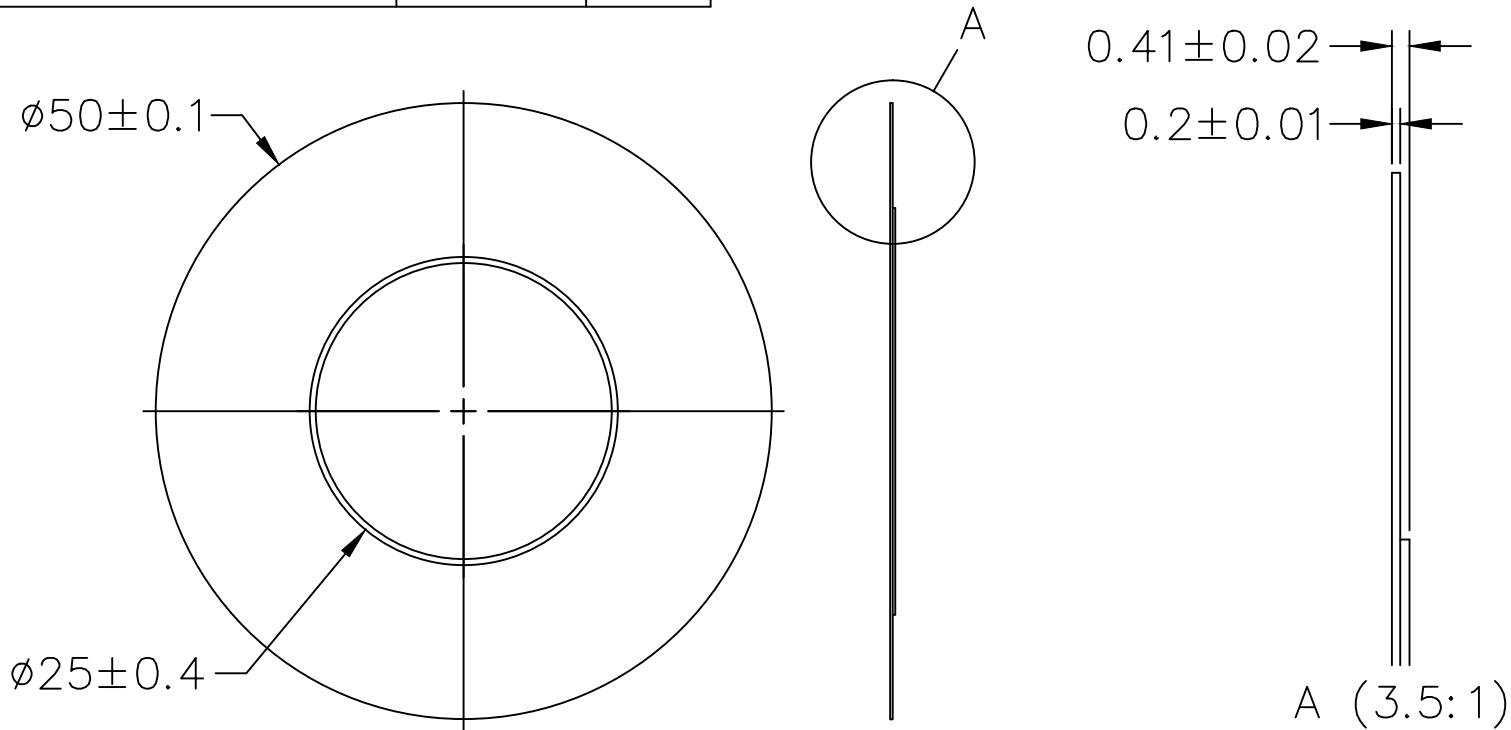


THIS DOCUMENT CONTAINS DATA PROPRIETARY TO PROJECTS UNLIMITED, INC. ANY USE OR REPRODUCTION, IN ANY FORM, WITHOUT PRIOR WRITTEN PERMISSION OF PROJECTS UNLIMITED, INC. IS PROHIBITED.
© 2005, Projects Unlimited Inc.

SPECIFICATIONS


PARAMETERS	VALUES	UNITS
RESONANT FREQUENCY	2,700±500	Hz
RESONANT IMPEDANCE (MAX)	500	Ohm
MAX INPUT VOLTAGE	30	Vp-p
CAPACITANCE @ 1kHz	40,000±30%	pF
PLATE MATERIAL	BRASS	-
OPERATING TEMPERATURE	-20 ~ +60	°C
STORAGE TEMPERATURE	-20 ~ +70	°C

REVISIONS			
LTR	DESCRIPTION	DATE	APPROVED
-	RELEASED FROM ENGINEERING	8/8/11	
A	REVISED SPECIFICATIONS	1/18/12	C.W.
B	REVISED SPECIFICATIONS & DIMENSIONS	4/18/12	C.W.



NOTES:

1. ALL DIMENSIONS ARE IN MILLIMETERS.
2. SPECIFICATION SUBJECT TO CHANGE OR WITHDRAWAL WITHOUT NOTICE.
3. THIS PART IS RoHS 2002/95/EC COMPLIANT.

UNLESS OTHERWISE SPECIFIED: DIMENSIONS ARE IN MILLIMETERS, TOLERANCES ARE ±0.5 AND ANGLES ARE ±3°.		 3541 Stop Eight Road Dayton, Ohio 45414	
APPROVALS	DATE	BENDER DRAWING NO. AB5027B-3	
DRAWN <i>J.D.</i>	8/11		
CHECKED <i>M.L.</i>	8/11		
APPROVED <i>B.R.</i>	8/11	SIZE A SCALE: N.T.S.	SHEET 1 OF 1

FILE NAME
AB5027B-3.DWG