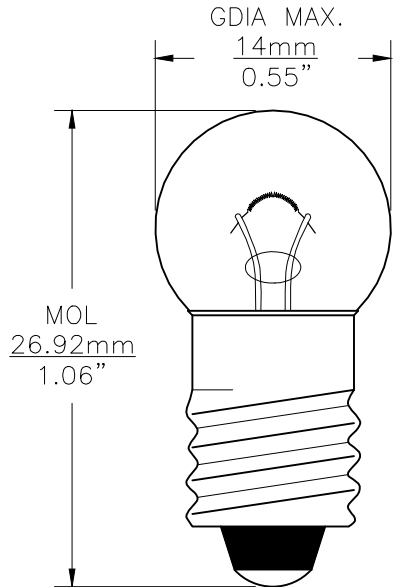


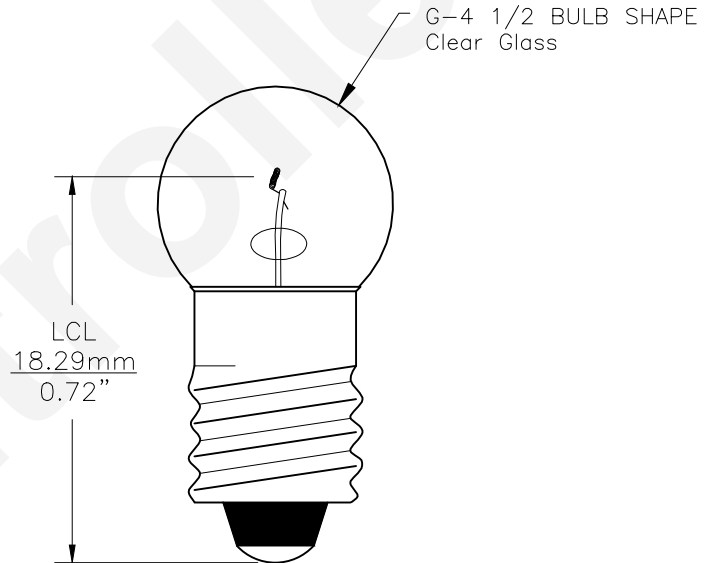


Since 1959

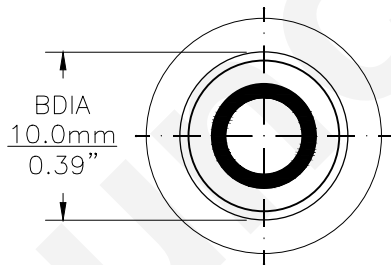
PART NO.	BASE TYPE	DESIGN VOLTS	DESIGN AMPS	MSCD	FILAMENT TYPE	AVERAGE LIFE HOURS	REVISIONS			
							REV #	DESCRIPTION	DATE	APPROVED
27	Miniature Screw (E10)	4.9V	0.3±10%	1.4±20%	C-2R	30	1	ISSUED	11/08/2016	R.M.



0° VIEW



90° VIEW



BASE BOTTOM VIEW

G-4 1/2 BULB SHAPE  
Clear Glass

UNLESS OTHERWISE SPECIFIED:  
DIMENSIONS ARE IN INCHES  
TOLERANCES  
DECIMALS    ANGULAR  
.XX ± .05     ± 0.5°  
.XXX ± .010  
FRACTIONAL   ±1/64

CEC INDUSTRIES LTD

599 BOND STREET

LINCOLNSHIRE, IL 60069

DRAWN ROSE MEDINA	DATE 11/08/2016	TITLE LIGHT BULB NO. 27			
CHECKED	SIZE A	FSCM NO.	DWG NO. 27	REV 1	
DESIGN	SCALE	PLOT SCALE	SHEET 1 OF 1		
MATERIAL	FILE 27.pdf	DRAWING NOT TO SCALE			