

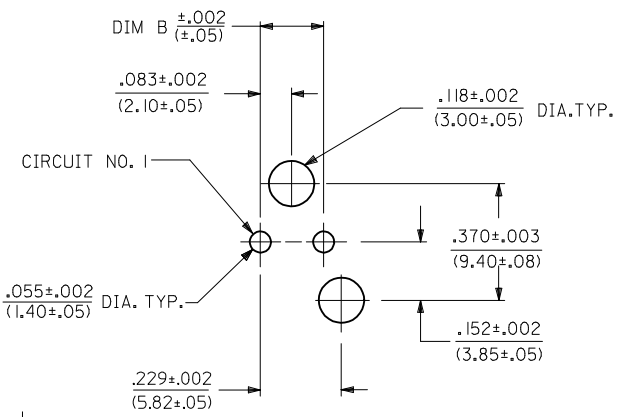
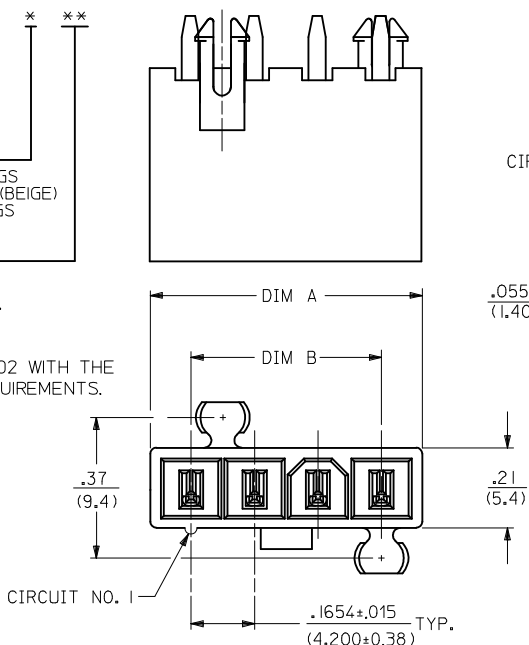
- NOTES:  
 1. MATERIALS:  
 HOUSING:  
 NYLON, UL94 V-2, COLOR: SEE CHARTS, IEC 60335-1,  
 5th EDITION GLOW WIRE CAPABLE  
 TERMINALS:  
 BRASS  
 2. TERMINAL PLATING:  
 GOLD = .000030/(0.00076) MIN. SELECT GOLD AND  
 .000100/(0.00254) MIN. SELECT MATTE TIN OVER  
 .000050/(0.00127) MIN. NICKEL OVERALL  
 TIN = .000100/(0.00254) MIN. MATTE TIN OVER  
 .000050/(0.00127) MIN. NICKEL  
 3. PRODUCT SPECIFICATION: PS-5556-001  
 4. PACKAGING: TRAY PACKED PER PK-5566-002  
 5. PART MATES WITH MINI-FIT JR. RECEPTACLE NO. 46994.  
 6. 5 CIRCUIT PARTS HAVE PEG DESIGN B. ALL OTHER CIRCUIT SIZES HAVE PEG DESIGN A.  
 7. PART IS NOT DESIGNED FOR CURRENT SHARING.  
 8. PARTS ARE NOT DESIGNED TO BE MATED OR UN-MATED WHILE CIRCUITS ARE LIVE.  
 9. PART CONFORMS TO CLASS "B" REQUIREMENTS OF COSMETIC SPECIFICATION PS-45499-002 WITH THE  
 EXCEPTION OF DISCOLORATION, FLASH AND SINK ON THE HOUSING MEET CLASS "C" REQUIREMENTS.

172647 - \* \*\*

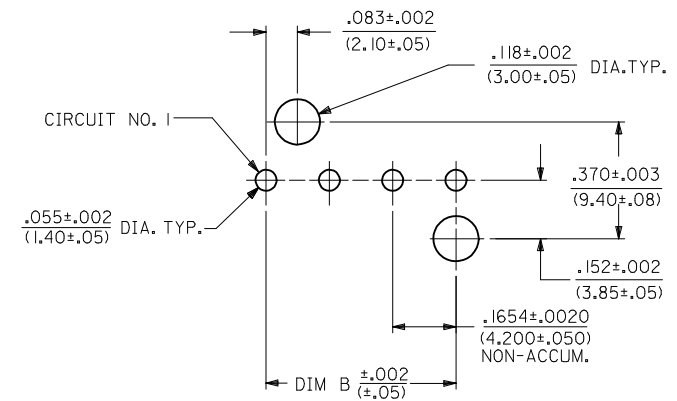
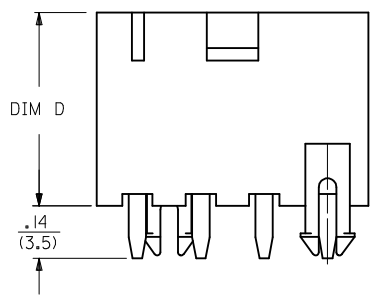
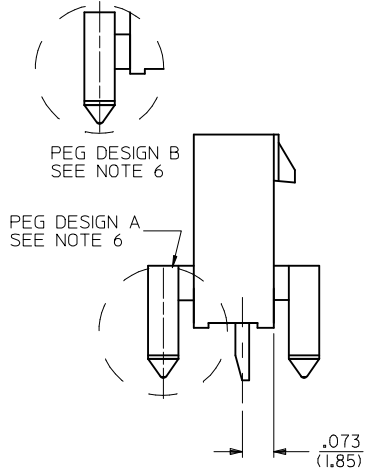
PLATING  
 SEE NOTE 2  
 0 = TIN  
 1 = GOLD

ASSEMBLY TYPE  
 0 = SINGLE ROW W/ PEGS  
 COLOR = NATURAL (BEIGE)  
 1 = SINGLE ROW W/ PEGS  
 COLOR = BLACK

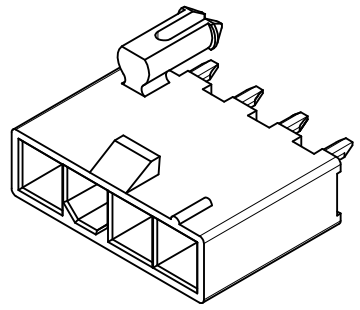
CIRCUIT SIZE



RECOMMENDED HOLE LAYOUT FOR  
 .070/(1.78) MAX. THICK P. C. BOARD  
 VIEWED FROM COMPONENT SIDE  
 2 CIRCUIT PARTS



RECOMMENDED HOLE LAYOUT FOR  
 .070/(1.78) MAX. THICK P. C. BOARD  
 VIEWED FROM COMPONENT SIDE  
 3-6 CIRCUIT PARTS



PART NUMBER	CKT SIZE	PLATING SEE NOTE 2	COLOR
172647-0002	2	TIN	NATURAL (BEIGE)
172647-0003	3		
172647-0004	4		
172647-0005	5		
172647-0006	6		

PART NUMBER	CKT SIZE	PLATING SEE NOTE 2	COLOR
172647-1002	2	GOLD	NATURAL (BEIGE)
172647-1003	3		
172647-1004	4		
172647-1005	5		
172647-1006	6		

PART NUMBER	CKT SIZE	PLATING SEE NOTE 2	COLOR
172647-0102	2	TIN	BLACK
172647-0103	3		
172647-0104	4		
172647-0105	5		
172647-0106	6		

PART NUMBER	CKT SIZE	PLATING SEE NOTE 2	COLOR
172647-1102	2	GOLD	BLACK
172647-1103	3		
172647-1104	4		
172647-1105	5		
172647-1106	6		

CKT SIZE	DIM A	DIM B	DIM D
2	.38 (9.6)	.165 (4.20)	.50 (12.8)
3	.54 (13.8)	.331 (8.40)	.49 (12.5)
4	.71 (18.0)	.496 (12.60)	.50 (12.8)
5	.87 (22.2)	.661 (16.80)	.50 (12.8)
6	1.04 (26.4)	.827 (21.00)	.50 (12.8)

REV	DESCRIPTION	DATE	BY
A2	UPDATE PCB DIM.	2015/12/02	DRW:NGUYEN
		2015/12/02	CHKD:JBELL
		2017/02/01	APPR:FSMITH

GENERAL TOLERANCES (UNLESS SPECIFIED)	
mm	INCH
4 PLACES ± .005	± .0002
3 PLACES ± .015	± .0006
2 PLACES ± 0.38	± .0150
1 PLACE ± 0.50	± .0196
0 PLACE ± .005	± .0002

ANGULAR ±1/2°

DRAFT WHERE APPLICABLE MUST REMAIN WITHIN DIMENSIONS

DIMENSION STYLE	
IN/MM	
DRAWN BY	DATE
NGUYEN	2014/04/22
CHECKED BY	DATE
JBELL	2014/04/22
APPROVED BY	DATE
FSMITH	2014/05/16

MATERIAL NO. SEE CHART

SIZE C

SCALE	DESIGN UNITS	THIRD ANGLE PROJECTION
4:1	METRIC	⊙

MINI-FIT VERT HDR ASSY  
 W/ PEGS  
 SINGLE ROW

**molex**

DOCUMENT NO. SD-172647-0000

SHEET NO. 1 OF 1

THIS DRAWING CONTAINS INFORMATION THAT IS PROPRIETARY TO MOLEX INCORPORATED AND SHOULD NOT BE USED WITHOUT WRITTEN PERMISSION