

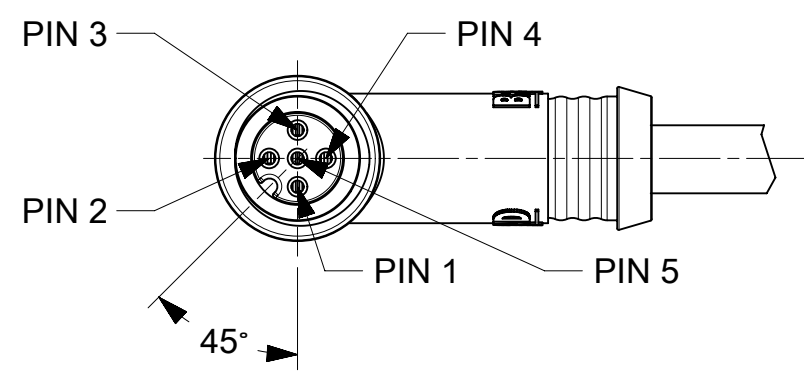
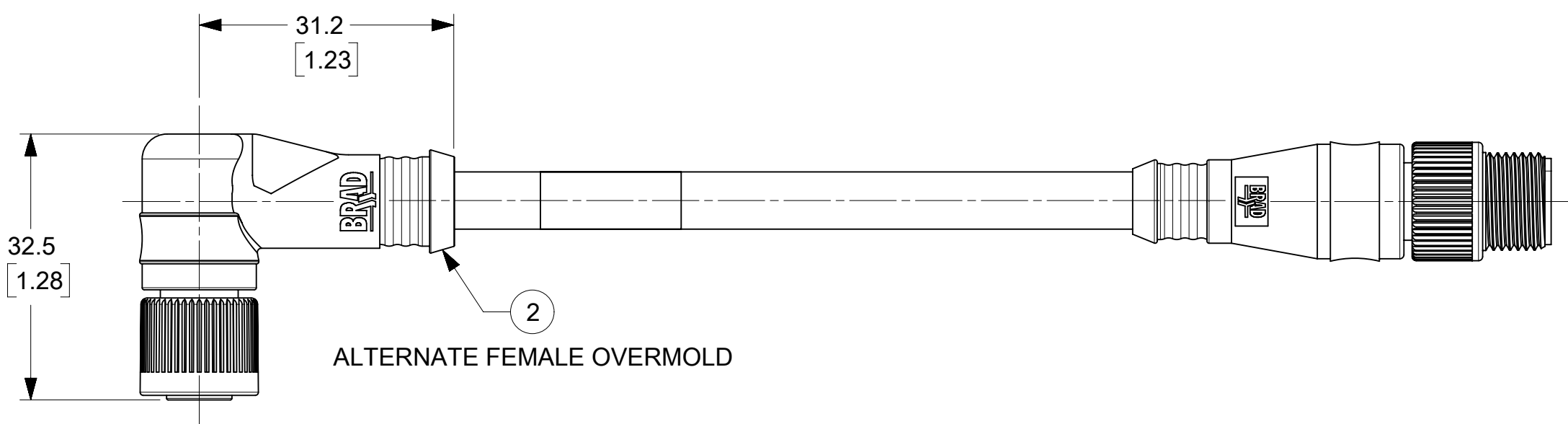
DND32A-M006

LENGTH
M001 = .1 METERS
M010 = 1.0 METERS
M100 = 10 METERS

CABLE LENGTH TOLERANCES	
<.3M [1FT]:	+19mm-0 [+ .75in-0]
.3 - .9M [1 - 3FT]:	+44.5mm-0 [+1.75in-0]
.9 - 1.8M [3 - 6FT]:	+55.6mm-0 [+2.19in-0]
1.8 - 3.7M [6 - 12FT]:	+88.9mm-0 [+3.50in-0]
3.7 - 7.3M [12 - 24FT]:	+165.1mm-0 [+6.50in-0]
7.3-14.6M [24 - 48FT]:	+317.5mm-0 [+12.50in-0]
14.6 - 30.5M [48-100FT]:	+622.3mm-0 [+24.50in-0]
OVER 30M [100FT]	+2% OF FINISHED LENGTH

PART NUMBER LEGEND

FINISHED LENGTH		
MOLEX PN	ENGINEERING NO	LENGTH M [FT]
1300280003	DND32A-M006	0.6 [1.97]
1300280080	DND32A-M002	0.2 [.66]
1300280081	DND32A-M003	0.3 [.98]
1300280082	DND32A-M004	0.4 [1.31]
1300280083	DND32A-M005	0.5 [1.64]
1300280084	DND32A-M007	0.7 [2.30]
1300280085	DND32A-M010	1.0 [3.28]
1300280086	DND32A-M015	1.5 [4.92]
1300280088	DND32A-M025	2.5 [8.20]
1300280089	DND32A-M030	3.0 [9.84]
1300280091	DND32A-M050	5.0 [16.4]



ITEM	DESCRIPTION	MATERIAL	FINISH/COLOR
10	WRAP LABEL	VINYL	BLACK/YELLOW
9	O-RING	FPM (VITON)	RED
8	COUPLING NUT FEMALE M12	E-COAT	BLACK
7	CONTACT FEMALE	Cu ALLOY	GOLD PLATED
6	INSERT M12 5P FEMALE	NYLON	BLACK
5	COUPLING NUT MALE M12	E-COAT	BLACK
4	CONTACT PIN	Cu ALLOY	GOLD PLATED
3	INSERT M12 5P MALE AC KEY	NYLON	BLACK
2	OVERMOLDS	TPC	GRAY
1	DEV-NET DROP CABLE 4x0.34mm ² (22AWG)	PVC JACKET	GRAY

- NOTES:**
1. MATERIAL: AS NOTED
 2. FINISH: AS NOTED
 3. ELECTRICAL:
VOLTAGE; 250V AC/DC
CURRENT: 4A
 4. TEMP RATING: -20°TO +80°C
 5. PROTECTION: IP67 (WHEN MATED)
 6. COUPLING THREAD: M12 X 1.0
 7. UL LISTED FILE: E152210
CANADIAN LISTED FILE: LR6837
 8. ALL DIMS ARE FOR REFERENCE UNLESS TOLERANCED OR NOTED OTHERWISE

FUNCTIONAL SYMBOLS	THIS DRAWING CONTAINS INFORMATION THAT IS PROPRIETARY TO MOLEX ELECTRONIC TECHNOLOGIES, LLC AND SHOULD NOT BE USED WITHOUT WRITTEN PERMISSION		CURRENT REV DESC: REMOVED LEADING PIN NOTE	
	DIMENSION UNITS	SCALE		
$\frac{F}{A} = 0$	MM/INCH	1.5:1		
$\frac{F}{C} = 0$	GENERAL TOLERANCES (UNLESS SPECIFIED)			
DIVISIONAL SYMBOLS		MM	INCH	
	4 PLACES	±	±	
	3 PLACES	±	±	
	2 PLACES	±	±	
	1 PLACE	±	±	
	0 PLACES	±	±	
	ANGULAR TOL	±	°	
	DRAFT WHERE APPLICABLE MUST REMAIN WITHIN DIMENSIONS	THIRD ANGLE PROJECTION		DRAWING SERIES
		C-SIZE		130028
		EC NO: 700917	2022/03/25	
		DRWN: RSTONE	2022/03/25	
		CHK'D: MZIELINSKI	2022/03/25	
		APPR: BWOODMAN	2022/03/29	
		INITIAL REVISION:		
		DRWN: MKOWALCZYK01	2018/10/09	
		APPR: MIWASIECZKO	2018/10/12	
DOCUMENT STATUS		P1	RELEASE DATE	2022/03/29 14:49:33



MICRO-CHANGE EXT CORD DEV-NET DROP
MALE90/FEMALE STR, 22AWG

PRODUCT CUSTOMER DRAWING

DOCUMENT NUMBER	DOC TYPE	DOC PART	REVISION
1300280080	PSD	000	B2

MATERIAL NUMBER	CUSTOMER	SHEET NUMBER
SEE P/N CHART	GENERAL MARKET	1 OF 1

6

5

4

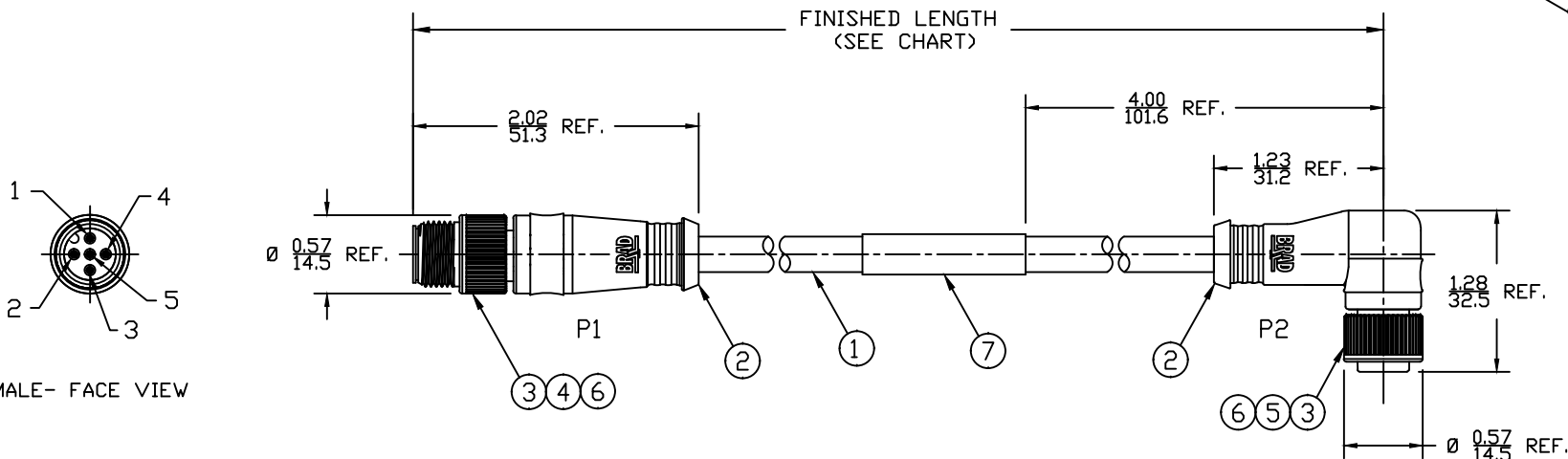
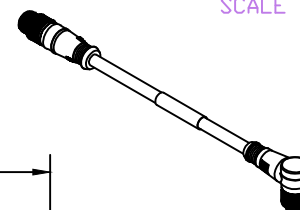
3

2

1

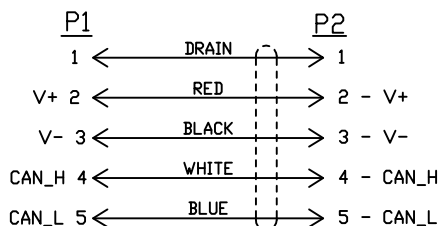
PART NUMBER	ENGINEERING NO.	LENGTH ± TOLERANCE
1300280083	DND32A-M005	1' 8" +1.75"/-0" [0.5M +44.5/-0 mm]
1300280084	DND32A-M007	2' 4" +1.75"/-0" [0.7M +44.5/-0 mm]
1300280085	DND32A-M010	3' 3" +2.19"/-0" [1M +55.6/-0 mm]
1300280089	DND32A-M030	9' 10" +3.50"/-0" [3M +88.9/-0 mm]
1300280091	DND32A-M050	16' 5" +6.50"/-0" [5M +165.1/-0 mm]

(B1)

AUX VIEW
SCALE 1:4

NOTES:

- MATERIAL: SEE TABLE
- FINISHES: SEE TABLE
- ELECTRICAL DATA:
MAX. VOLTAGE: 250V AC/DC
MAX. CURRENT: 4A
- ENVIRONMENTAL:
PROTECTION: IP67 (WHEN MATED)
TEMPERATURE RANGE: -20°C TO 80°C
- WRAP LABEL IS MARKED WITH P/N, DATE CODE,
VOLTAGE & AMPERAGE.
- DIMS SHOWN ARE FOR REFERENCE
UNLESS NOTED OTHERWISE

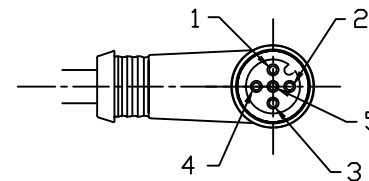


SCHEMATIC

DND32A-M005

cable type
DEV-NET DROP
GRAY PVC

cable length
005----.5 Meters
010----1 Meter
100----10 Meter



FEMALE- FACE VIEW

TABLE

ITEM	DESCRIPTION	MATERIAL	FINISH
7	LABEL	VINYL	BLACK/YELLOW
6	INSERT	NYLON	BLACK
5	SOCKET CONTACT	COPPER ALLOY	GOLD PLATED
4	PIN CONTACT	COPPER ALLOY	GOLD PLATED
3	M12 COUPLING NUT	ZINC DIE-CAST	BLACK
2	OVERMOLD	PVC	GRAY
1	DEVICENET DROP CABLE, 2P, SHLD	PVC JACKET	GRAY

CORRECTED PINS FOR: 5 & 7M
EC NO: IFC2017-0356
DRWN: RSTONE 10/3/16
CHKD: M ZIELIN 2016/10/04
APPR: TWOLDEGE

QUALITY SYMBOLS
▽=0
▽C=0

GENERAL TOLERANCES
(UNLESS SPECIFIED)

	mm	INCH
4 PLACES	±---	±---
3 PLACES	±---	±---
2 PLACES	±---	±---
1 PLACE	±---	±---

ANGULAR ±---°

DRAFT WHERE APPLICABLE
MUST REMAIN
WITHIN DIMENSIONS

DIMENSION STYLE
IN/MM

DRAWN BY DATE

VOU 2009/07/30

CHECKED BY DATE

BWOODMAN 2009/07/31

APPROVED BY DATE

SCALE
---DESIGN UNITS
INCHTHIRD ANGLE
PROJECTION

TITLE
M12 DEVICENET CABLE ASSY
5P MALE/FEM ST/90
#22/4 SHLD PVC -THIN STD

MOLEX INCORPORATED

MATERIAL NO.

SEE CHART

DOCUMENT NO.

SD-130028-002

SHEET NO.

1 OF 1

SIZE
A

THIS DRAWING CONTAINS INFORMATION THAT IS PROPRIETARY TO MOLEX
INCORPORATED AND SHOULD NOT BE USED WITHOUT WRITTEN PERMISSION

6

5

4

3

2

1