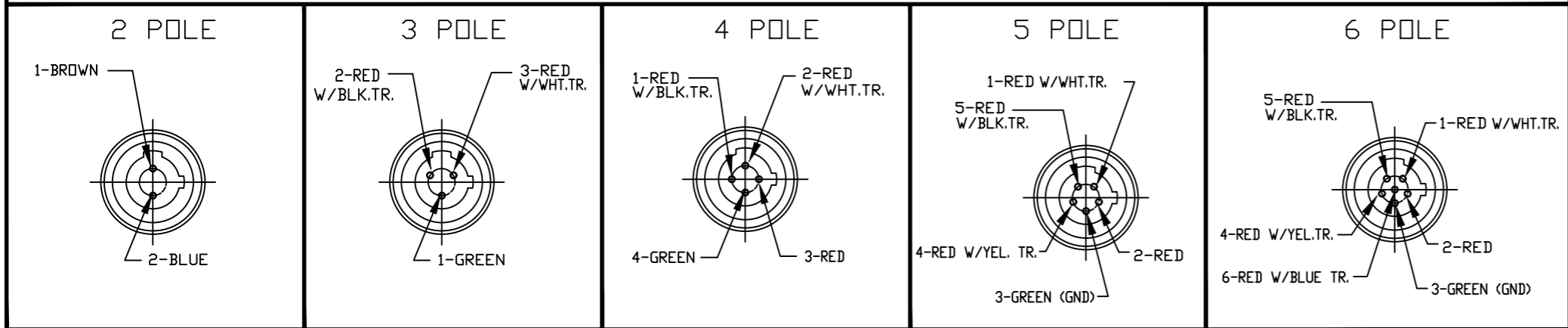


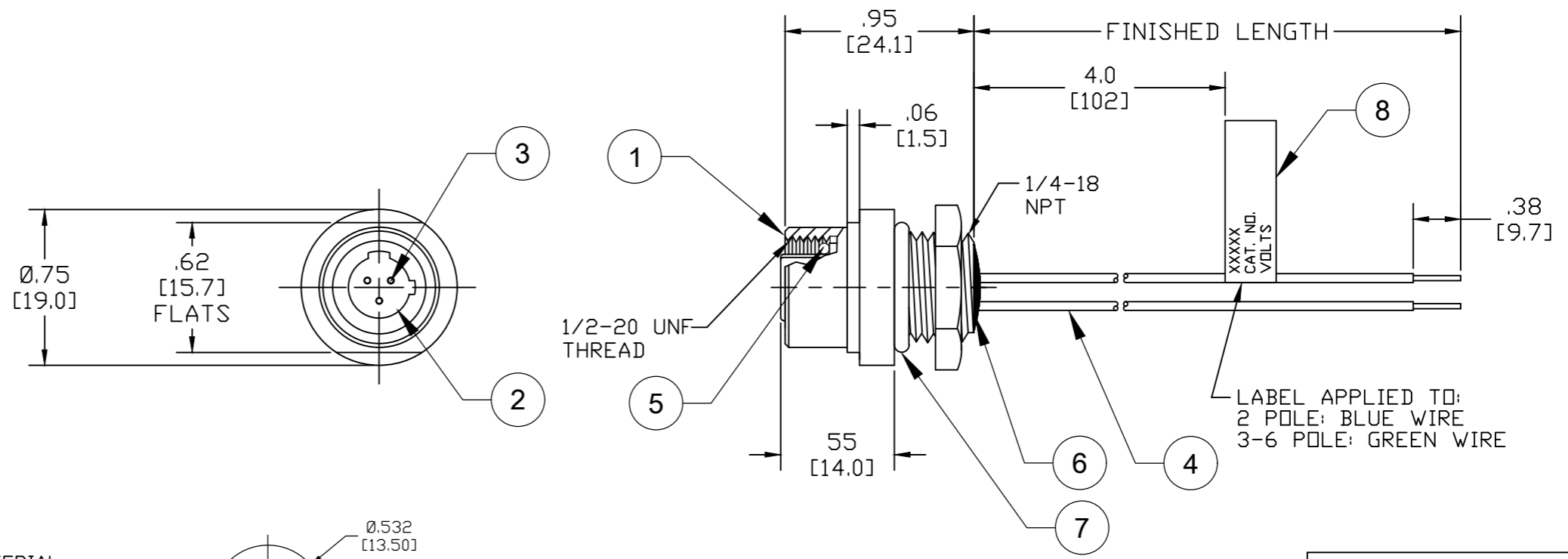
FRONT VIEW — FEMALE INSERT WIRING COLOR CODE



CABLE LENGTH TOLERANCES

>.3M [1FT]	+19mm-0 [+1.75in-0]
.3 - .9M [1 - 3FT]	+44.5mm-0 [+1.75in-0]
.9 - 1.8M [3 - 6FT]	+55.6mm-0 [+2.19in-0]
1.8 - 3.7M [6 - 12FT]	+88.9mm-0 [+3.50in-0]
3.7 - 7.3M [12 - 24FT]	+165.1mm-0 [+6.50in-0]
7.3-14.6M [24 - 48FT]	+317.5mm-0 [+12.50in-0]
14.6 - 30.5M [48-100FT]	+622.3mm-0 [+24.50in-0]
OVER 30M [100FT]	+2% OF FINISHED LENGTH

- NOTES:
1. MATERIAL: AS NOTED
 2. FINISH: AS NOTED
 3. ELECTRICAL:
VOLTAGE: 250V AC/DC
CURRENT: 4A
 4. TEMP RATING: -25°C TO +105°C
 5. PROTECTION: IP67 (WHEN MATED)
 6. COUPLING THREAD: AS NOTED
 7. UL LISTED FILE: E152210
CSA CERTIFIED FILE: LR6837
 8. ALL DIMS ARE FOR REFERENCE UNLESS TOLERANCED OR NOTED OTHERWISE



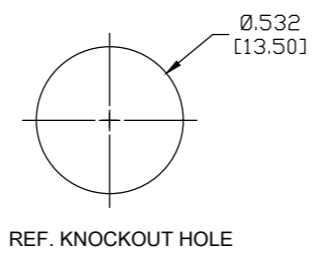
PART NUMBER LEGEND

7R2A00A19A1201

POLES: 2-6

RECEPTACLE SHELL MATERIAL
BLANK= ALUM, CLEAR ANODIZE
01: ST. STEEL 303, PASSIVATED

FINISHED LENGTH:
A120= 12 IN.
F020= 2 FEET
F100= 10 FEET



POLES	PART NO.	ENGINEERING NO.	FINISHED LENGTH	MATERIAL	FINISH
2	1200740014	7R2A00A19A120	12.0 IN. [305MM]	ALUMINUM	CLEAR ANODIZE
3	1200740059	7R3A00A19A1201	3.0 FT [0.9M]	303SS	PASSIVATED
4	1200740122	7R4A00A19A120	12.0 IN. [305MM]	ALUMINUM	CLEAR ANODIZE
5	1200740181	7R5A00A19F030	3.0 FT [0.9M]	ALUMINUM	CLEAR ANODIZE
6	1200740239	7R6A00A19F0601	6.0 FT [1.8M]	303SS	PASSIVATED

ITEM	DESCRIPTION	MATERIAL	FINISH	
8	FLAG LABEL	VINYL	BLACK/YELLOW	
7	O-RING (PANEL SEAL)	NITRILE	BLACK	
6	POTTING MATERIAL	EPOXY		
5	O-RING (MATING SEAL)	NITRILE	RED	
4	WIRE 22AWG (UL1061)	PVC INSULATION	SEE FACE VIEW	
3	CONTACT SOCKET	COPPER ALLOY	GOLD PLATED	
2	FEMALE INSERT	NYLON	BLACK	
1	RECEPTACLE SHELL	SEE P/N CHART	SEE P/N CHART	
	ITEM	DESCRIPTION	MATERIAL	FINISH

SYMBOLS

THIS DRAWING CONTAINS INFORMATION THAT IS PROPRIETARY TO MOLEX ELECTRONIC TECHNOLOGIES, LLC AND SHOULD NOT BE USED WITHOUT WRITTEN PERMISSION

CURRENT REV DESC: RELEASED

SCALE: 1:1

GENERAL TOLERANCES (UNLESS SPECIFIED)

PLACES	mm	INCH
4 PLACES	±---	±---
3 PLACES	±---	±---
2 PLACES	±---	±---
1 PLACE	±---	±---
0 PLACES	±---	±---

ANGULAR TOL ± ---°

DRAFT WHERE APPLICABLE MUST REMAIN WITHIN DIMENSIONS

THIRD ANGLE PROJECTION

DRAWING: B-SIZE

SERIES: 120074

EC NO: 629085

DRWN: RSTONE 2019/11/25

CHK'D: MZIELINSKI 2019/12/12

APPR: BWOODMAN 2020/01/02

INITIAL REVISION:

DRWN: RSTONE 2019/11/25

APPR: BWOODMAN 2020/01/02

DOCUMENT NUMBER: 1200740014

DOC TYPE: PSD

DOC PART: 000

REVISION: A

MATERIAL NUMBER: ---

CUSTOMER: ---

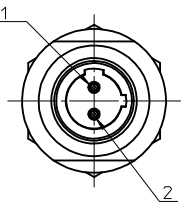
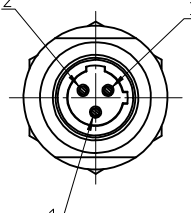
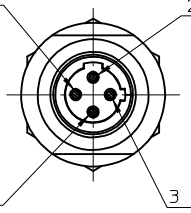
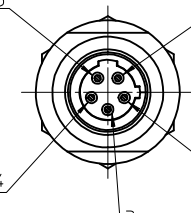
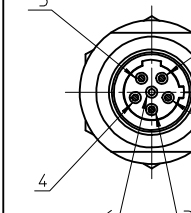
SHEET NUMBER: 1 OF 1

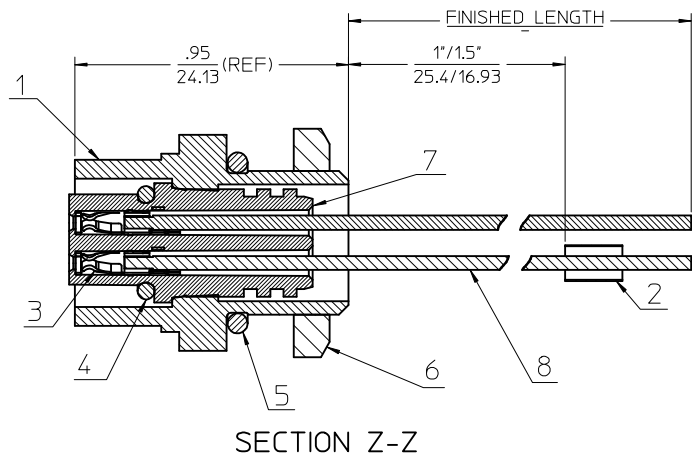
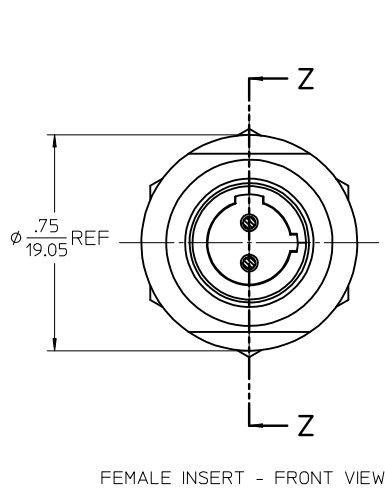
molex

MICRO-CHANGE FEMALE RECEPTACLE
2-6 POLE, DUAL KEY, 22AWG, AC COLOR

PRODUCT CUSTOMER DRAWING

FACE VIEW - FEMALE INSERT SCALE 2 : 1

				
<p>1 BROWN 2 BLUE</p>	<p>1 GREEN 2 RED/BLACK 3 RED/WHITE</p>	<p>1 RED/BLACK 2 RED/WHITE 3 RED 4 GREEN</p>	<p>1 RED/WHITE 2 RED 3 GREEN 4 RED/YELLOW 5 RED/BLACK</p>	<p>1 RED/WHITE 2 RED 3 GREEN 4 RED/YELLOW 5 RED/BLACK 6 RED/BLUE</p>



FINAL ASSEMBLY
1200740014 (SHOWN)

ENTER DESCRIPTION EC NO: MNA2010-0078 DRAWN: NKUMAR01 2009/08/25 CHKD: 2009/08/27 APPR: JFMURPHY 2009/08/28	QUALITY SYMBOLS ▽=0 ▽=0	GENERAL TOLERANCES (UNLESS SPECIFIED)		DIMENSION STYLE IN/MM	SCALE 2:1	DESIGN UNITS INCH	THIRD ANGLE PROJECTION
		4 PLACES ± --- ± --- 3 PLACES ± --- ± --- 2 PLACES ± --- ± --- 1 PLACE ± --- ± ---	mm INCH	DRAWN BY: NKUMAR01 DATE: 25/08/09 CHECKED BY: BWOODMAN DATE: 25/08/09 APPROVED BY: JFMURPHY DATE: 2009/08/27	TITLE MIC 2P F/FR 12IN. 1/4NPT #22 P		
		ANGULAR ±1/2°		MATERIAL NO. DOCUMENT NO.			
		DRAFT WHERE APPLICABLE MUST REMAIN WITHIN DIMENSIONS		SEE SHEET 2 SD-120074-014			
A	REV	THIS DRAWING CONTAINS INFORMATION THAT IS PROPRIETARY TO MOLEX INCORPORATED AND SHOULD NOT BE USED WITHOUT WRITTEN PERMISSION			SHEET NO. 1 OF 2		

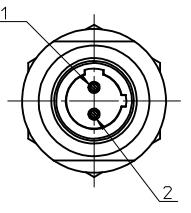
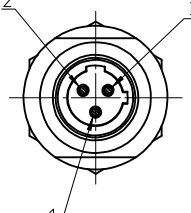
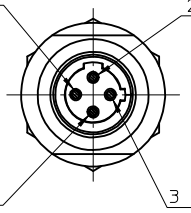
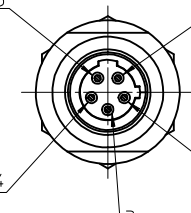
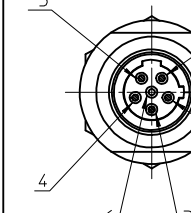
FEMALE RECEPTACLE ASSEMBLY

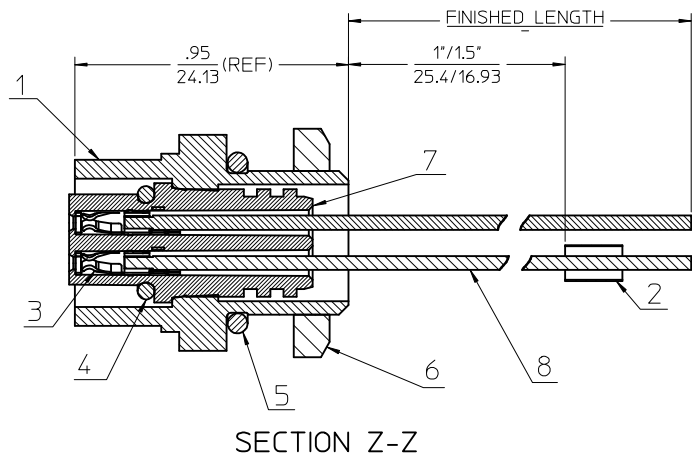
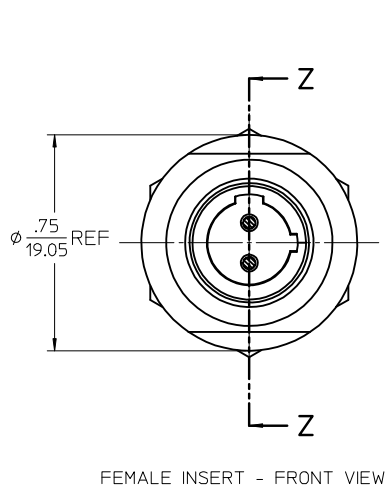
Sl. No.	DESCRIPTION	QUANTITY				
		2 POLE	3 POLE	4 POLE	5 POLE	6 POLE
1	MIC RCPT SHELL FEM 1/4INNPT GRY	1	1	1	1	1
2	LABEL,SELF L.YELLOW(2.25X.75IN)	1	1	1	1	1
3	MIC SOCKET CONTACT - GOLD PLATED				5	6
	MIC SOCKET CONTACT - GOLD PLATED	2	3	4		
4	O-RING.276 ID X .059 THK RED	1	1	1	1	1
5	O-RING .489 ID X .070 THK	1	1	1	1	1
6	#1/4-18IN NPS LOCKNUT	1	1	1	1	1
7	MIC 2P FI (NYLON) PLAIN	1				
	MIC 3P FI (NYLON) PLAIN		1			
	MIC 4P FI (NYLON) PLAIN			1		
	MIC 5P FI (NYLON) PLAIN				1	
	MIC 6P FI (NYLON) PLAIN					1
8	#22-1 BLU PVC WIRE UL1061	1				
	#22-1 GRN PVC WIRE UL1061		1	1	1	1
	#22-1 BRN PVC WIRE UL1061	1				
	#22-1 RED PVC WIRE UL1061			1	1	1
	#22-1 RED/WHT PVC WIRE UL1061		1	1	1	1
	#22-1 RED/BLK PVC WIRE UL1061		1	1	1	1
	#22-1 RED/BLU PVC WIRE UL1061					1
	#22-1 RED/YEL PVC WIRE UL1061				1	1

PART NUMBER	DESCRIPTION	FINISHED LENGTH
1200740014	7R2A00A19A120	12.0" +.75" -0 [0.3M +19.1MM -0]
1200740058	7R3A00A19A120	12.0" +.75" -0 [0.3M +19.1MM -0]
1200740122	7R4A00A19A120	12.0" +.75" -0 [0.3M +19.1MM -0]
1200740178	7R5A00A19A120	12.0" +.75" -0 [0.3M +19.1MM -0]
1200740232	7R6A00A19A120	12.0" +.75" -0 [0.3M +19.1MM -0]

ENTER DESCRIPTION EC NO: MNA2010-0078 DRAWN BY: DRWINAKUMAR01 2009/08/25 CHKD: 2009/08/27 APPR: JFMURPHY 2009/08/28 REV: A	QUALITY SYMBOLS 	GENERAL TOLERANCES (UNLESS SPECIFIED)		DIMENSION STYLE IN/MM	SCALE 2:1	DESIGN UNITS INCH	THIRD ANGLE PROJECTION		
		4 PLACES ± --- ± --- 3 PLACES ± --- ± --- 2 PLACES ± --- ± --- 1 PLACE ± --- ± ---	mm INCH ± --- ± --- ± --- ± --- ± --- ± --- ± --- ± ---	DRAWN BY: NKUMAR01 DATE: 25/08/09	CHECKED BY: BWOODMAN DATE: 25/08/09	TITLE MIC 2P F/FR 12IN. 1/4NPT #22 P			
		ANGULAR ±1/2°		APPROVED BY: JFMURPHY DATE: 2009/08/27	MATERIAL NO. SEE CHART DOCUMENT NO. SD-120074-014				
		DRAFT WHERE APPLICABLE MUST REMAIN WITHIN DIMENSIONS		SIZE C	THIS DRAWING CONTAINS INFORMATION THAT IS PROPRIETARY TO MOLEX INCORPORATED AND SHOULD NOT BE USED WITHOUT WRITTEN PERMISSION				

FACE VIEW - FEMALE INSERT SCALE 2 : 1

				
<p>1 BROWN 2 BLUE</p>	<p>1 GREEN 2 RED/BLACK 3 RED/WHITE</p>	<p>1 RED/BLACK 2 RED/WHITE 3 RED 4 GREEN</p>	<p>1 RED/WHITE 2 RED 3 GREEN 4 RED/YELLOW 5 RED/BLACK</p>	<p>1 RED/WHITE 2 RED 3 GREEN 4 RED/YELLOW 5 RED/BLACK 6 RED/BLUE</p>



FINAL ASSEMBLY
1200740014 (SHOWN)

ENTER DESCRIPTION EC NO: MNA2010-0078 DRAWN: NKUMAR01 2009/08/25 CHKD: 2009/08/27 APPR: JFMURPHY 2009/08/28	QUALITY SYMBOLS ▽=0 ▽=0	GENERAL TOLERANCES (UNLESS SPECIFIED)		DIMENSION STYLE IN/MM	SCALE 2:1	DESIGN UNITS INCH	THIRD ANGLE PROJECTION										
		<table border="1" style="width: 100%; border-collapse: collapse;"> <tr> <th>mm</th> <th>INCH</th> </tr> <tr> <td>4 PLACES ± ---</td> <td>± ---</td> </tr> <tr> <td>3 PLACES ± ---</td> <td>± ---</td> </tr> <tr> <td>2 PLACES ± ---</td> <td>± ---</td> </tr> <tr> <td>1 PLACE ± ---</td> <td>± ---</td> </tr> </table>	mm	INCH	4 PLACES ± ---	± ---		3 PLACES ± ---	± ---	2 PLACES ± ---	± ---	1 PLACE ± ---	± ---	DRAWN BY: NKUMAR01 DATE: 25/08/09 CHECKED BY: BWOODMAN DATE: 25/08/09 APPROVED BY: JFMURPHY DATE: 2009/08/27		TITLE MIC 2P F/FR 12IN. 1/4NPT #22 P	
		mm	INCH														
		4 PLACES ± ---	± ---														
3 PLACES ± ---	± ---																
2 PLACES ± ---	± ---																
1 PLACE ± ---	± ---																
ANGULAR ±1/2°		MATERIAL NO.		DOCUMENT NO.													
DRAFT WHERE APPLICABLE MUST REMAIN WITHIN DIMENSIONS		SEE SHEET 2		MOLEX INCORPORATED		SHEET NO. 1 OF 2											
THIS DRAWING CONTAINS INFORMATION THAT IS PROPRIETARY TO MOLEX INCORPORATED AND SHOULD NOT BE USED WITHOUT WRITTEN PERMISSION																	

FEMALE RECEPTACLE ASSEMBLY

Sl. No.	DESCRIPTION	QUANTITY				
		2 POLE	3 POLE	4 POLE	5 POLE	6 POLE
1	MIC RCPT SHELL FEM 1/4INNPT GRY	1	1	1	1	1
2	LABEL,SELF L.YELLOW(2.25X.75IN)	1	1	1	1	1
3	MIC SOCKET CONTACT - GOLD PLATED				5	6
	MIC SOCKET CONTACT - GOLD PLATED	2	3	4		
4	O-RING.276 ID X .059 THK RED	1	1	1	1	1
5	O-RING .489 ID X .070 THK	1	1	1	1	1
6	#1/4-18IN NPS LOCKNUT	1	1	1	1	1
7	MIC 2P FI (NYLON) PLAIN	1				
	MIC 3P FI (NYLON) PLAIN		1			
	MIC 4P FI (NYLON) PLAIN			1		
	MIC 5P FI (NYLON) PLAIN				1	
	MIC 6P FI (NYLON) PLAIN					1
8	#22-1 BLU PVC WIRE UL1061	1				
	#22-1 GRN PVC WIRE UL1061		1	1	1	1
	#22-1 BRN PVC WIRE UL1061	1				
	#22-1 RED PVC WIRE UL1061			1	1	1
	#22-1 RED/WHT PVC WIRE UL1061		1	1	1	1
	#22-1 RED/BLK PVC WIRE UL1061		1	1	1	1
	#22-1 RED/BLU PVC WIRE UL1061					1
	#22-1 RED/YEL PVC WIRE UL1061				1	1

PART NUMBER	DESCRIPTION	FINISHED LENGTH
1200740014	7R2A00A19A120	12.0" +.75" -0 [0.3M +19.1MM -0]
1200740058	7R3A00A19A120	12.0" +.75" -0 [0.3M +19.1MM -0]
1200740122	7R4A00A19A120	12.0" +.75" -0 [0.3M +19.1MM -0]
1200740178	7R5A00A19A120	12.0" +.75" -0 [0.3M +19.1MM -0]
1200740232	7R6A00A19A120	12.0" +.75" -0 [0.3M +19.1MM -0]

ENTER DESCRIPTION EC NO: MNA2010-0078 DRAWN BY: DRWINAKUMAR01 2009/08/25 CHKD: 2009/08/27 APPR: JFMURPHY 2009/08/28 REV: A	QUALITY SYMBOLS 	GENERAL TOLERANCES (UNLESS SPECIFIED)		DIMENSION STYLE IN/MM	SCALE 2:1	DESIGN UNITS INCH	THIRD ANGLE PROJECTION		
		4 PLACES ± --- ± --- 3 PLACES ± --- ± --- 2 PLACES ± --- ± --- 1 PLACE ± --- ± ---	mm INCH ± --- ± --- ± --- ± --- ± --- ± --- ± --- ± ---	DRAWN BY NKUMAR01	DATE 25/08/09	TITLE MIC 2P F/FR 12IN. 1/4NPT #22 P			
		ANGULAR ±1/2°		CHECKED BY BWOODMAN	DATE 25/08/09	APPROVED BY JFMURPHY			
		DRAFT WHERE APPLICABLE MUST REMAIN WITHIN DIMENSIONS		SEE CHART		MATERIAL NO. SD-120074-014		SHEET NO. 2 OF 2	

THIS DRAWING CONTAINS INFORMATION THAT IS PROPRIETARY TO MOLEX INCORPORATED AND SHOULD NOT BE USED WITHOUT WRITTEN PERMISSION