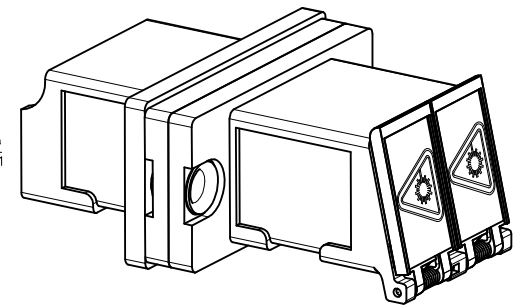


RECOMMENDED MOUNTING PATTERN



NOTES:

1. ALL DIMENSIONS ARE FOR REFERENCE ONLY.
2. CONDUCTIVE GASKET IS SUPPLIED WITH PART.
3. PART IS DIECAST.
4. ADAPTERS TO BE PACKAGED IN TRAY P/N 86934-1006

<b>ENTER DESCRIPTION</b> EC NO: MF2010-0005 DRW:KPEVZNER 2009/07/17 CHKD: 2009/07/22 APPR:IGJMIN 2009/07/23 REV: A3	<b>QUALITY SYMBOLS</b> =0 =0	<b>GENERAL TOLERANCES (UNLESS SPECIFIED)</b>		<b>DIMENSION STYLE</b> IN/MM	<b>SCALE</b> 4:1	<b>DESIGN UNITS</b> INCH	<b>THIRD ANGLE PROJECTION</b>
		4 PLACES ± --- ± --- 3 PLACES ± --- ± --- 2 PLACES ± --- ± --- 1 PLACE ± --- ± ---	DRAWN BY SM DATE 9/12/2007	CHECKED BY BA DATE 9/14/2007	<b>TITLE</b> LC-D EMI ADAPTER SCREW MT.ZR.W/SHUTTERS		
		ANGULAR ±1/2°		APPROVED BY DATE	<b>MOLEX INCORPORATED</b>		
		DRAFT WHERE APPLICABLE MUST REMAIN WITHIN DIMENSIONS		MATERIAL NO. <b>1061151127</b>	DOCUMENT NO. <b>SD-106115-1127</b>	SHEET NO. 1 OF 1	