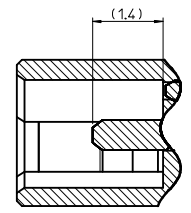


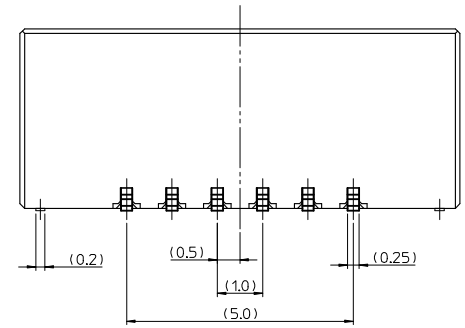
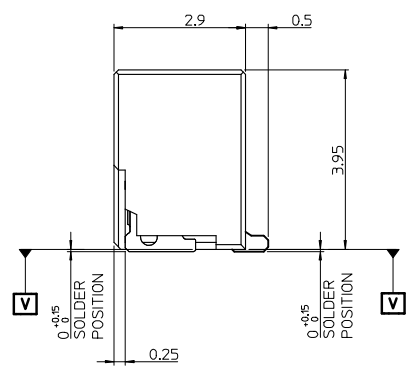
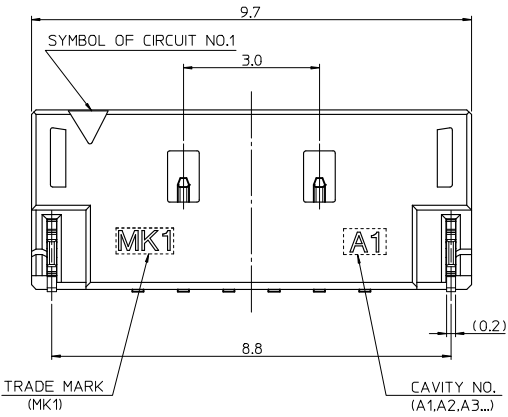
Isometric View 1
(Scale 7/1)

RECOMMENDED PCB LAY OUT
[GENERAL TOLERANCE +0.05]

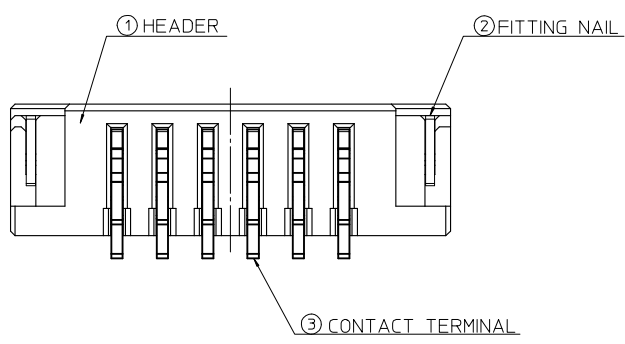
MATED CONDITION (REF.)



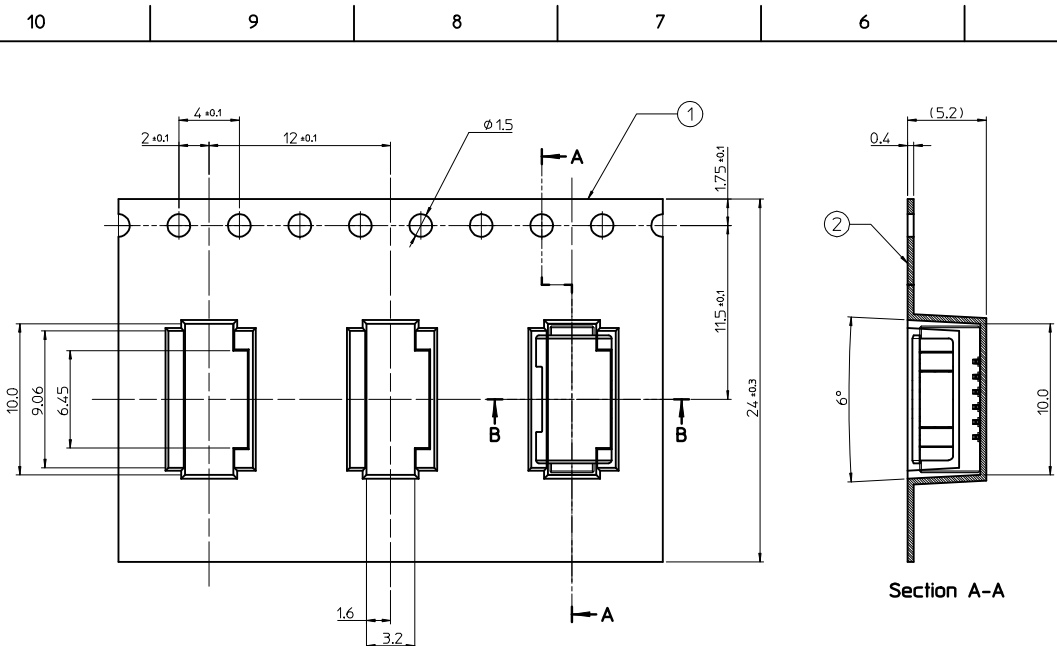
Section Z-Z
(Scale 10/1)



- NOTES.
- MATED WITH : 104128-0610/0620
 - MATERIALS.
 - HEADER : LIQUID CRYSTAL POLYMER(LCP) GLASS FILLED, UL 94V-0 HALOGEN FREE, COLOR OF NATURAL
 - CONTACT TERMINAL : PHOSPHOR BRONZE 0.25mm THICKNESS
 - FITTING NAIL : PHOSPHOR BRONZE 0.2mm THICKNESS
 - FINISHES.
 - CONTACT TERMINAL : PURE-TIN PLATING ON OVERALL. THICKNESS : 3.0µm~5.0µm UNDER PLATING Ni OVERALL. THICKNESS : 1.25µm~3.75µm
 - FITTING NAIL : PURE-TIN PLATING ON OVERALL. THICKNESS : 3.0µm~5.0µm UNDER PLATING Ni OVERALL. THICKNESS : 1.25µm~3.75µm
 - COPLANALITH OF SOLDER TAIL (PEAK TEMP. : 260°C) BEFORE & AFTER REFLOW : 0.08MAX



RELEASED EC NO: KOR2014-0105 DRWN: SCHONG03 2014/09/29 CHKD: SHCHU 2014/09/29 APPR: YSK1M02 2014/12/24	QUALITY SYMBOLS 	GENERAL TOLERANCES (UNLESS SPECIFIED)		DIMENSION STYLE MM ONLY		SCALE 9:1	DESIGN UNITS METRIC	THIRD ANGLE PROJECTION			
		4 PLACES ± --- ± ---	mm INCH	DRAWN BY SCHONG03	DATE 2014/09/29	TITLE 1.0MM W-T-B CONN. HEADER ASS'Y -6P (S/T) (SIDE LOCKING)					
		3 PLACES ± --- ± ---		CHECKED BY SHCHU	DATE 2014/09/29						
		2 PLACES ± 0.15 ± ---		APPROVED BY YSK1M02	DATE 2014/12/24	MATERIAL NO. 1041270620		DOCUMENT NO. SD-104127-006		SHEET NO. 1 OF 1	
ANGULAR ± 3 °		DRAFT WHERE APPLICABLE MUST REMAIN WITHIN DIMENSIONS		SIZE A3		THIS DRAWING CONTAINS INFORMATION THAT IS PROPRIETARY TO MOLEX INCORPORATED AND SHOULD NOT BE USED WITHOUT WRITTEN PERMISSION					



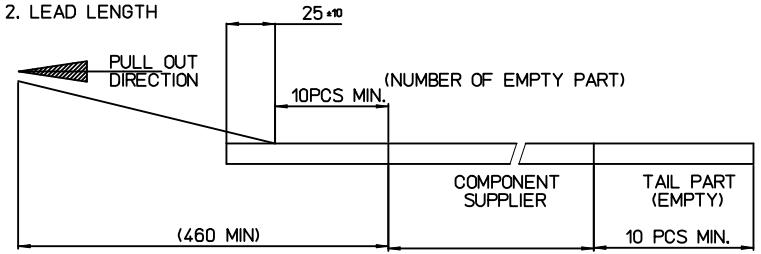
Section A-A

Section B-B

NOTES

1. QUANTITY OF CONNECTORS : 1,500 PCS/REEL

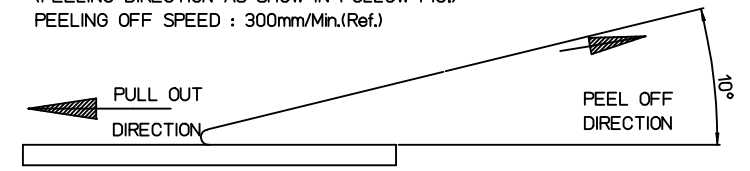
2. LEAD LENGTH



3. PEELING OFF FORCE OF COVER TAPE : 0.1N~0.59N(10.2GF~60GF)

(PEELING DIRECTION AS SHOW IN FOLLOW FIG.)

PEELING OFF SPEED : 300mm/Min.(Ref.)



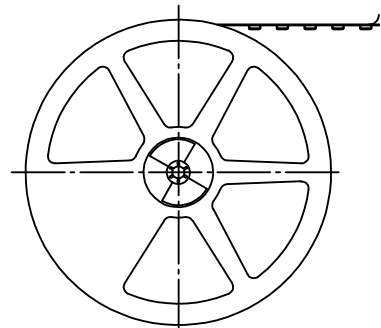
4. FLASH IN ANY PORTION SHOULD BE LESS THAN 0.20mm MAX.

5. UNLESS OTHERWISE SPECIFIED INNER R0.2 MAX

3	PLASTIC BOBBIN	HI P.S	WHITE
2	COVER TAPE	PET ANTISTATIC	
1	CARRIER (EMBOSSD) TAPE	PET ANTISTATIC	
NO.	DESCRIPTION	MATERIAL	REMARK

PULL OUT DIRECTION

PULL OUT DIRECTION



PLASTIC BOBBIN

RELEASED	EC NO: KOR2014-0105	QUALITY SYMBOLS	▽=0
	DRWN: SCHONG03 2014/11/22		▽C=0
CHKD: SHCHU 2014/11/22	APPR: YSKI M02 2014/12/24	GENERAL TOLERANCES (UNLESS SPECIFIED)	DIMENSION STYLE
REV	A	mm	MM ONLY

4 PLACES	± ---	± ---
3 PLACES	± ---	± ---
2 PLACES	± 0.20	± ---
1 PLACE	± 0.25	± ---
0 PLACE	± ---	± ---
ANGULAR ± 1 °		
DRAFT WHERE APPLICABLE MUST REMAIN WITHIN DIMENSIONS		

DRAWN BY	DATE	TITLE
SCHONG03	2014/11/22	
CHECKED BY	DATE	
SHCHU	2014/11/22	
APPROVED BY	DATE	
YSK1M02	2014/12/24	
MATERIAL NO.	1041270620	

ORDER NUMBER	104127-0620
DESIGN UNITS	METRIC
THIRD ANGLE PROJECTION	
1.0MM W-T-B CONN. HEADER ASS'Y -6P (SIDE) EMBOSSD PACKAGE	
molex	
DOCUMENT NO.	SD-104127-007
SHEET NO.	1 OF 1
THIS DRAWING CONTAINS INFORMATION THAT IS PROPRIETARY TO MOLEX INCORPORATED AND SHOULD NOT BE USED WITHOUT WRITTEN PERMISSION	