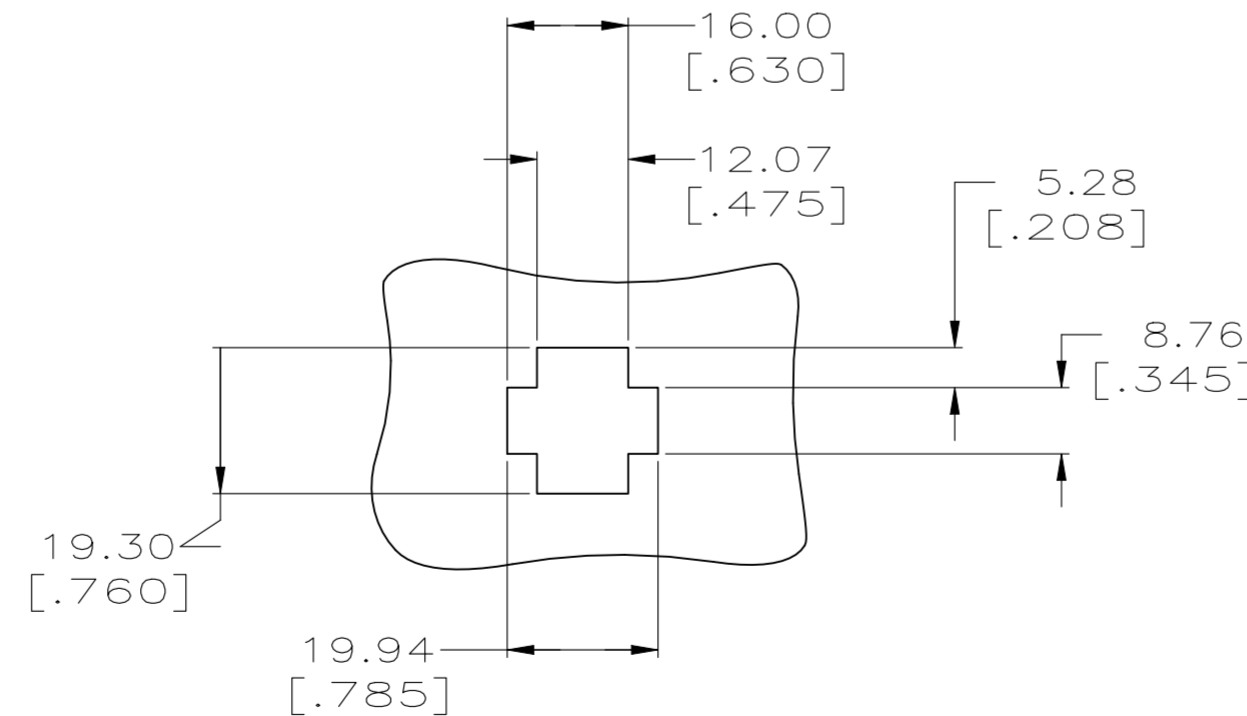
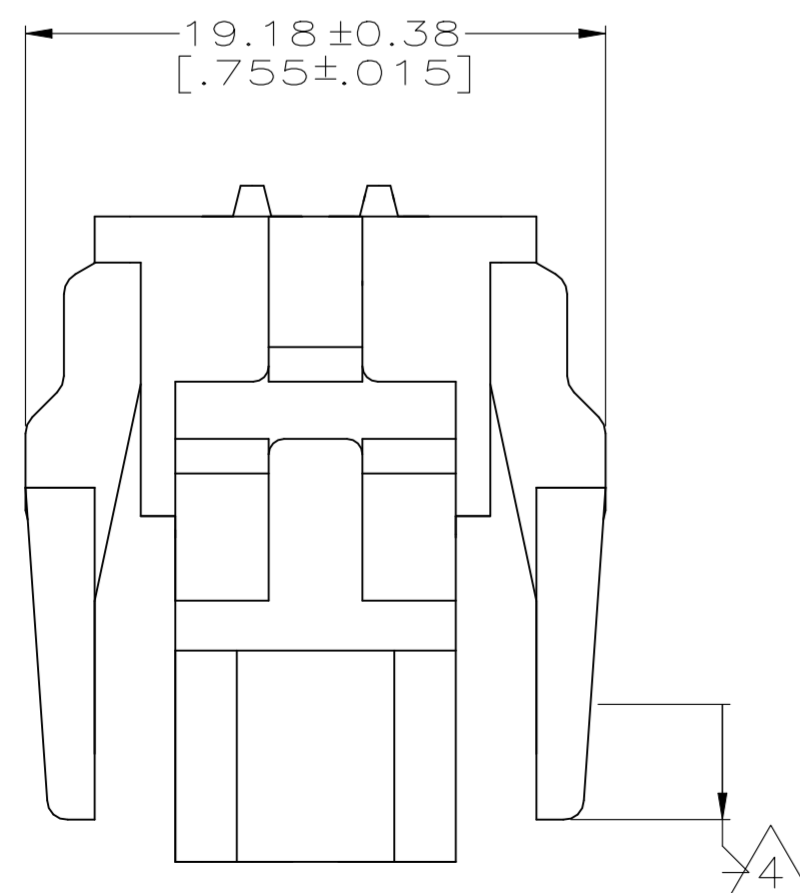
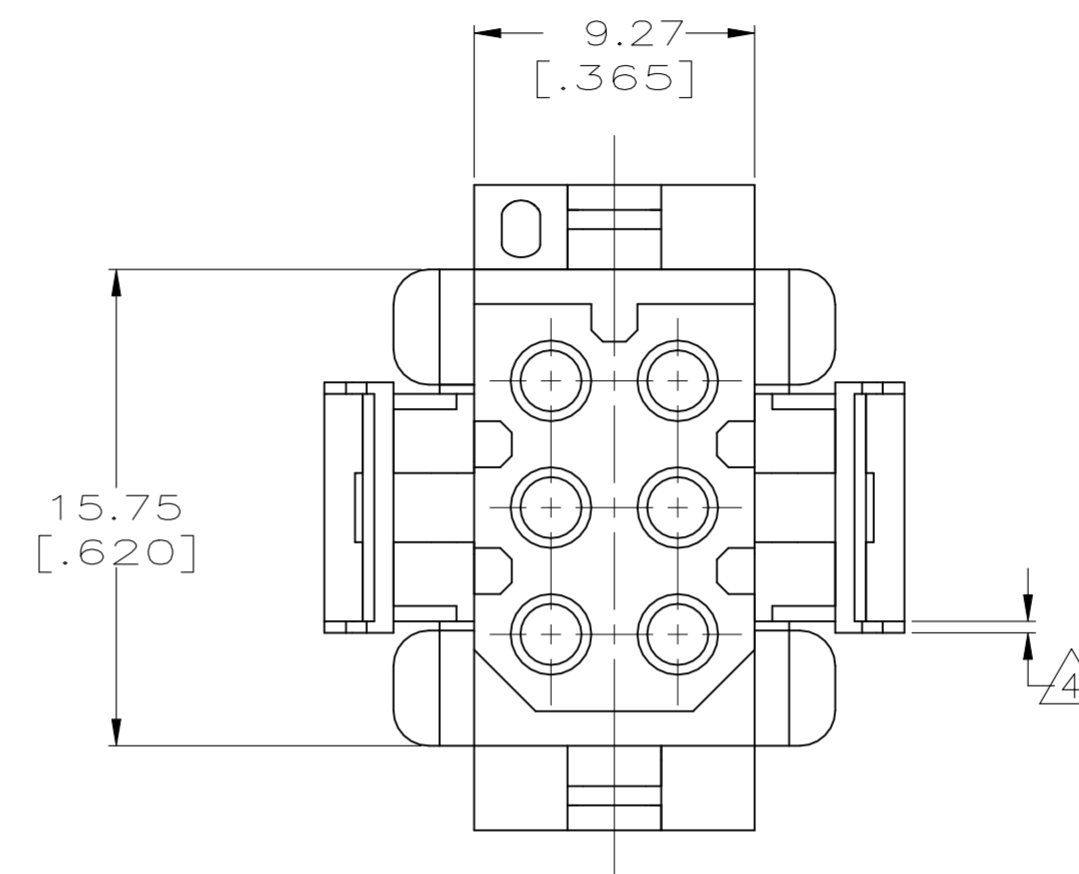
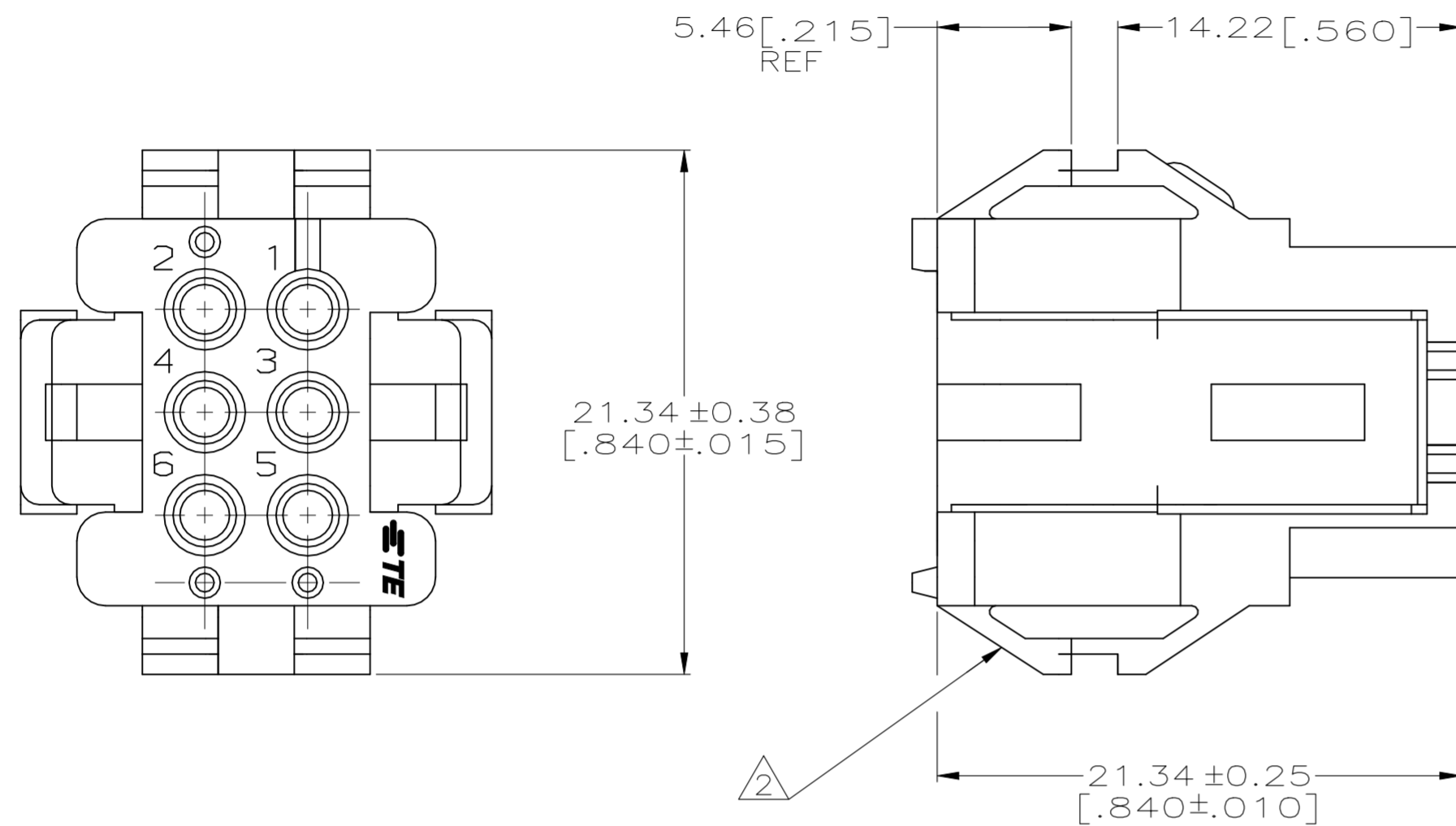


REVISIONS					
P	LTR	DESCRIPTION	DATE	DWN	APVD
G		REVISED PER ECO-21-006874	29SEP2021	RK	MZ

- MATES WITH HOUSING 640510.
- UL LOGO AND CSA LOGO TO APPEAR ON EITHER LATCH SURFACE PER AMP SPEC 202-20, I.D. NO. 1-18838-3 AND 1-18839-3. FROST BACKGROUND OPTIONAL.
- DIMENSIONS IN BRACKETS ARE IN INCHES.
- NON-FILL PERMITTED UP TO 3.8[.15] FROM EDGE OF LATCH ARM ON THE 0.38[.015] THICK FLANGE, 4 PLC.
- HOUSING MATERIAL; PA66, BLACK UL94-V0 RATED.



RECOMMENDED CUT OUT  
FOR 1.73[.068] MAX THICK PANEL  
SCALE 1:1

**METRIC**

1-640520-0  
PART NUMBER

THIS DRAWING IS A CONTROLLED DOCUMENT.		DWN R. VESTAL 12-01-97	<b>STE</b> TE Connectivity	
DIMENSIONS: mm[INCHES]		CHK R. SWING 12-01-97		
TOLERANCES UNLESS OTHERWISE SPECIFIED:		APVD A. BEDDICK 12-01-97	NAME HOUSING, PLUG MRII 6 POSITION	
0 PLC ± -		PRODUCT SPEC	SIZE A2	CAGE CODE 00779
1 PLC ± -		APPLICATION SPEC	DRAWING NO C-640520	RESTRICTED TO
2 PLC ± 0.13[.005]		WEIGHT	SCALE 4:1	SHEET 1 OF 1
3 PLC ± -		MATERIAL	REV G	
4 PLC ± -		FINISH		
ANGLES ± 0° 30'				
MATERIAL				
FINISH				
CUSTOMER DRAWING				