

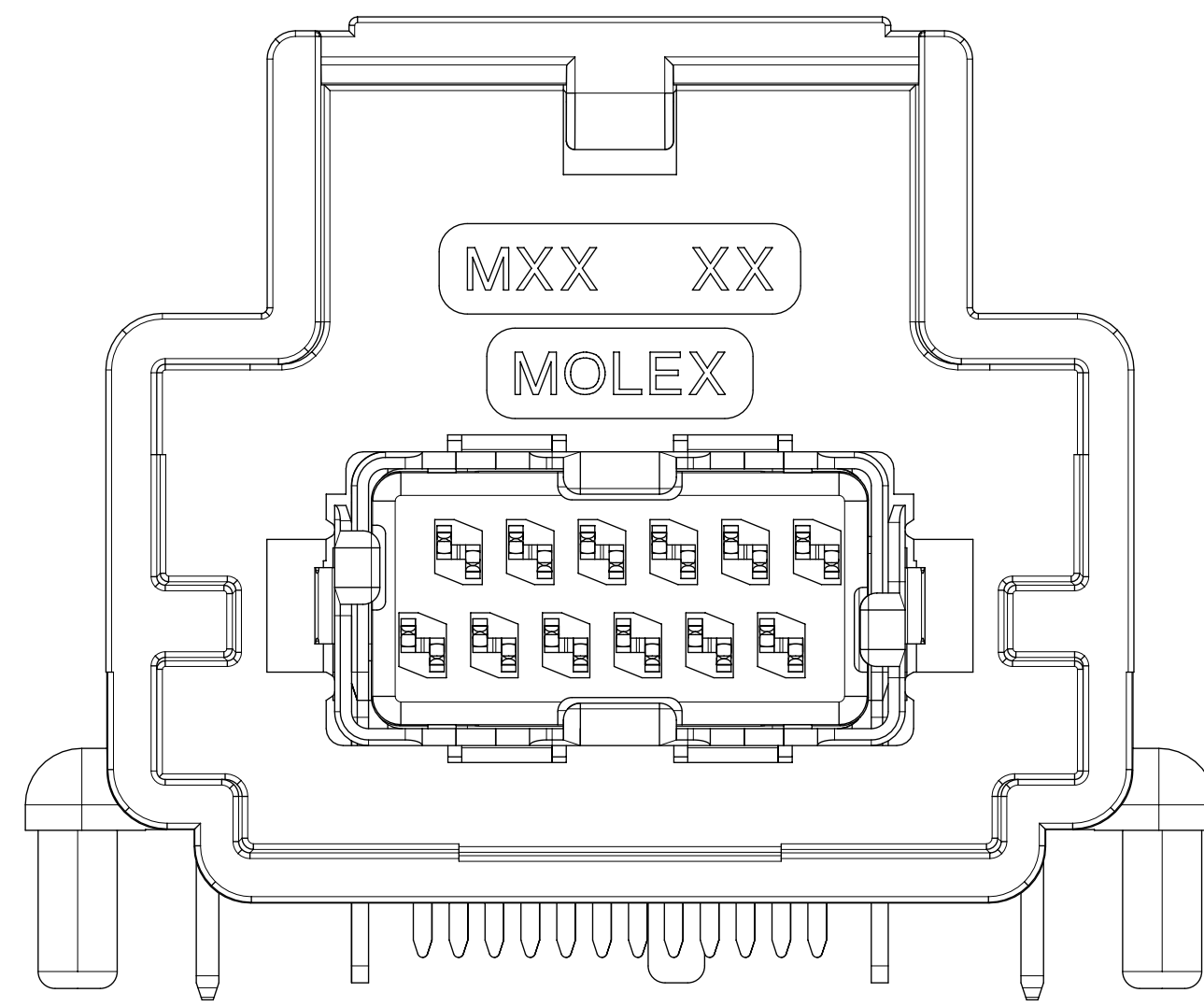
34861-1106

34861-1306 (2 SHIELD TABS)

34861-2106 (SMT) \*NOT QUALIFIED\*

KEY OPTION 'A'

COLOR: BLACK



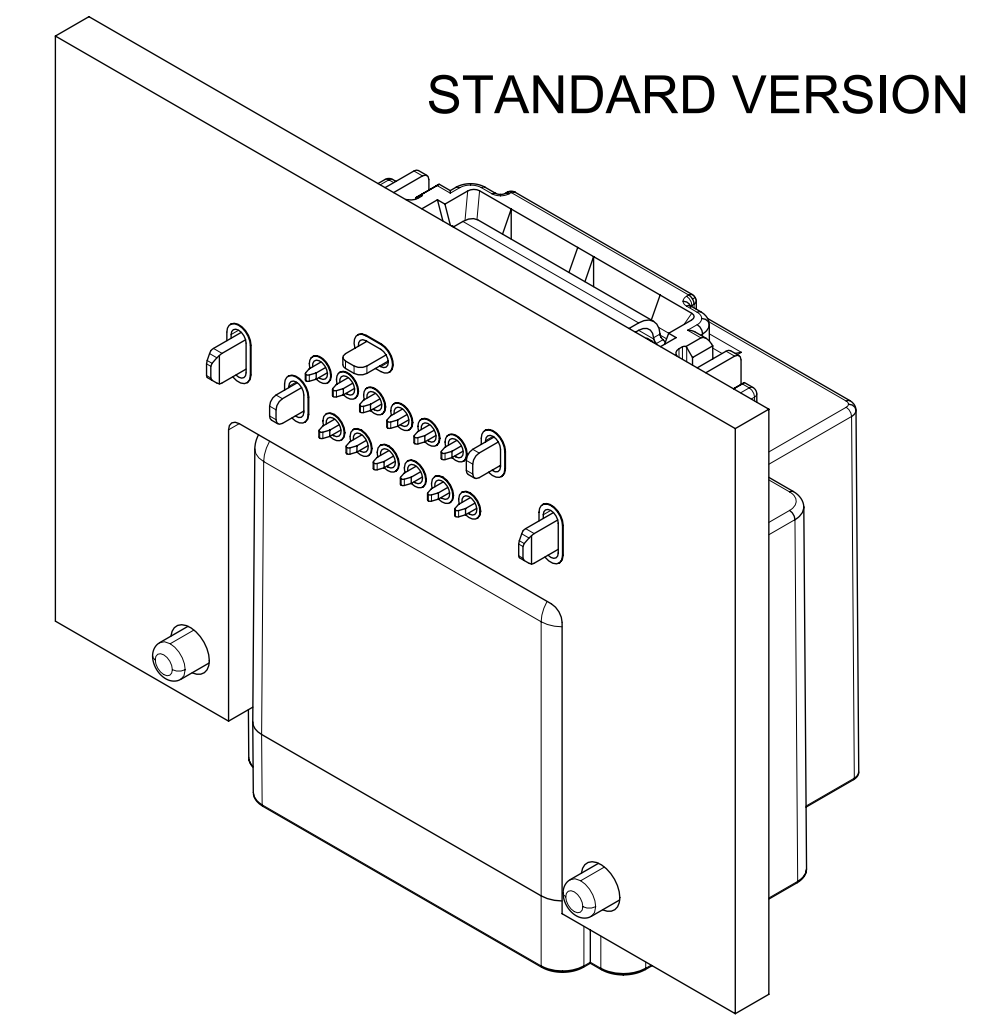
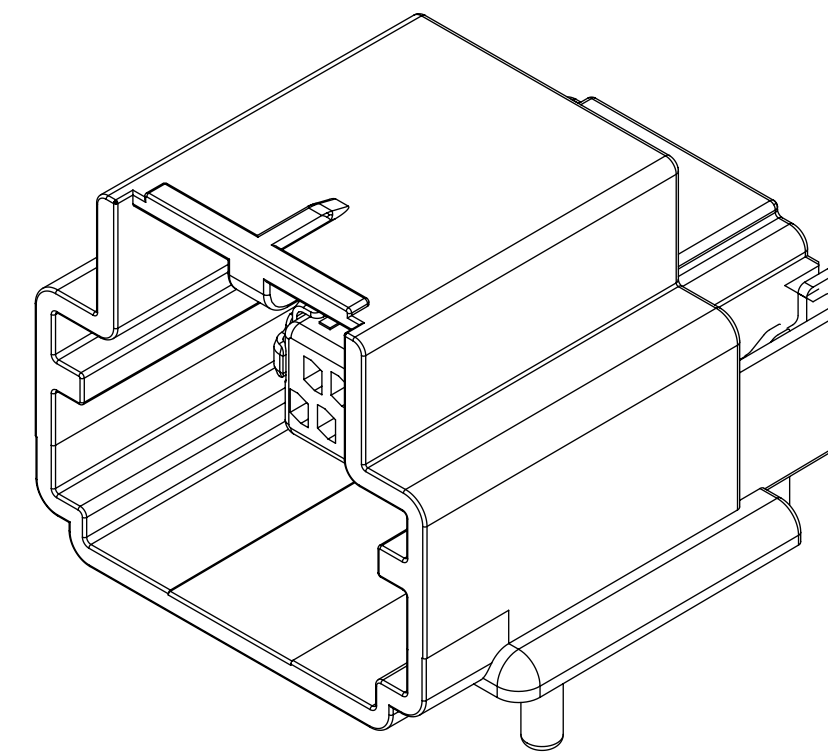
34861-1116

34861-1316 (2 SHIELD TABS)

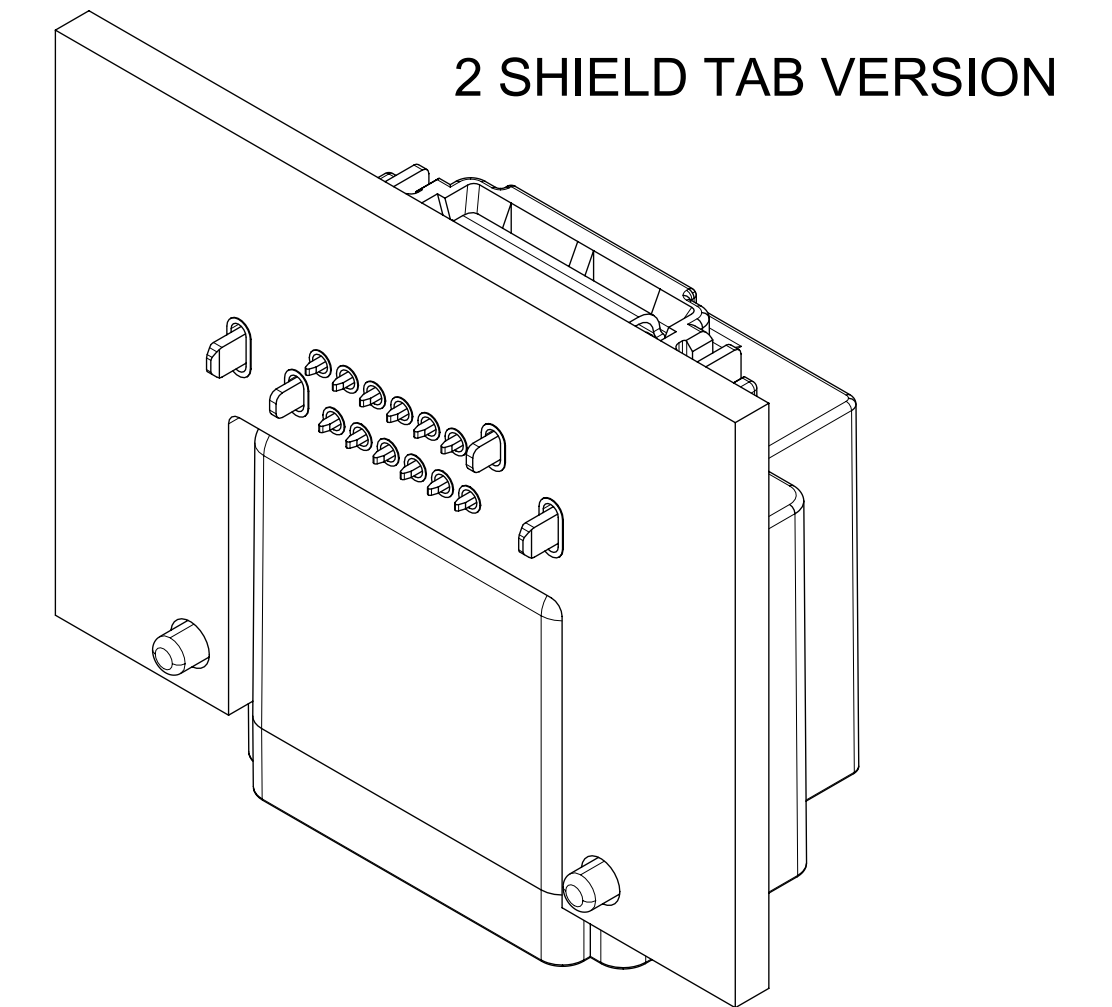
34861-2116 (SMT) \*NOT QUALIFIED\*

KEY OPTION 'B'

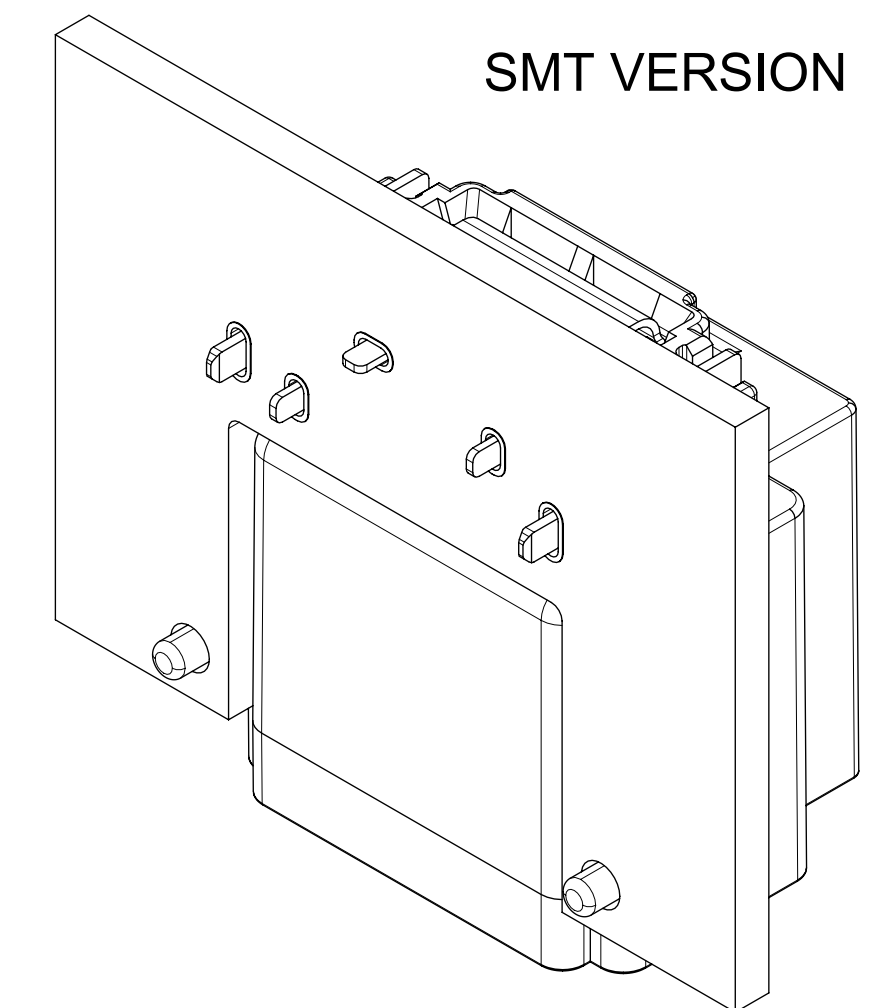
COLOR: GRAY



STANDARD VERSION



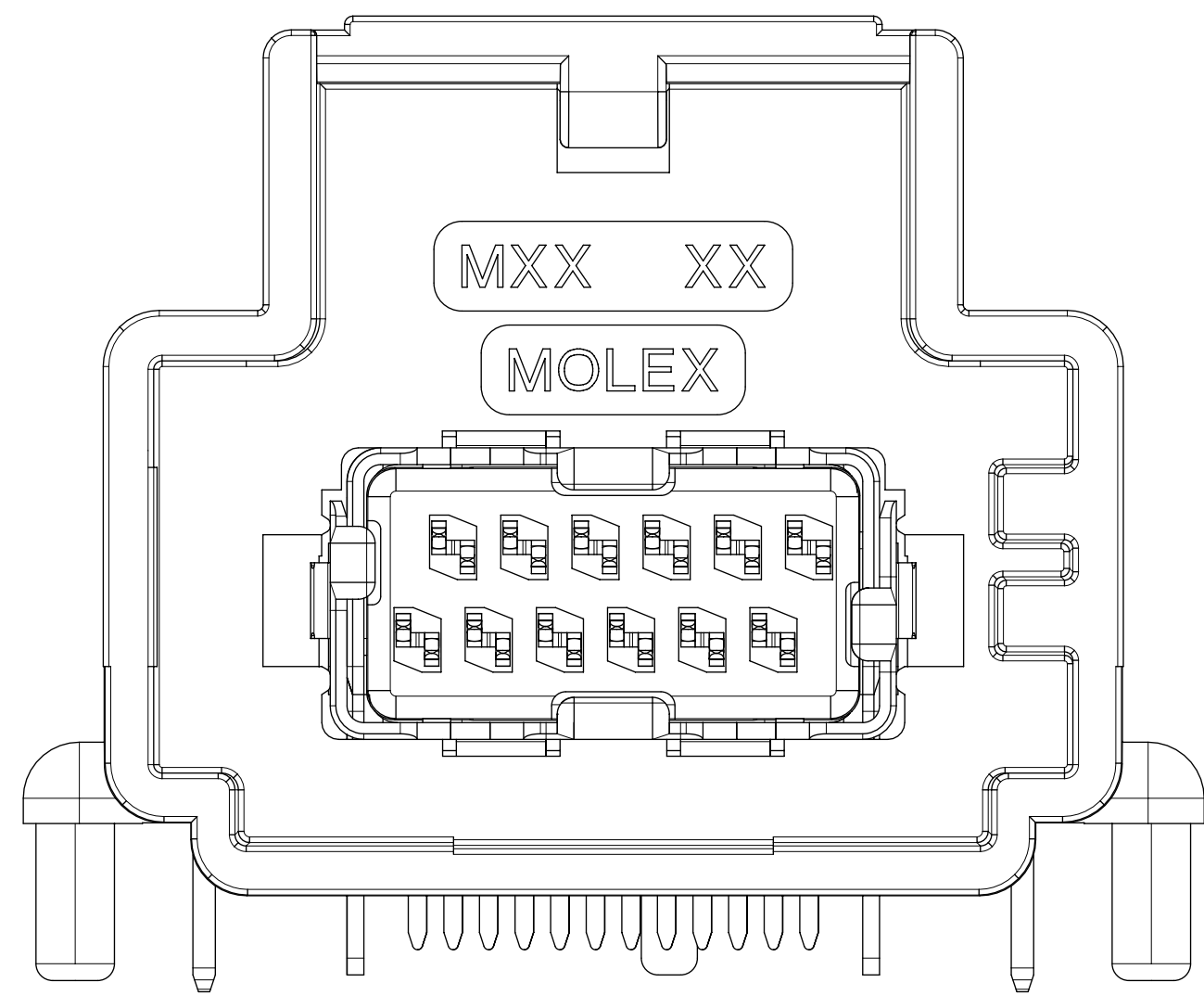
2 SHIELD TAB VERSION



SMT VERSION

NOTES: VALID UNLESS OTHERWISE SPECIFIED

- MATERIALS:  
 HEADER HOUSING: SPS, 30%GF  
 TERMINALS - COPPER ALLOY  
 OVERMOLDING - LCP, 30%GF  
 BISCUIT - SPS, 30%GF  
 SHIELDS - COPPER ALLOY
- TERMINAL MATE-SIDE PLATING: SELECTIVE GOLD OVER NICKEL  
 TERMINAL PCB SIDE PLATING: TIN OVER NICKEL  
 SHIELDS PLATING - TIN OVER NICKEL
- MATING CONNECTOR MINIMUM CLEARANCE: AREA TO REMAIN CLEAR OF MODULE COMPONENTS, ADHESIVE, DEBRIS, ETC.
- PCB TO BE FR4 0.062" (1.57mm) THICK
- LASER MARKING TO BE MARKED WITH:  
 HUMAN READABLE CODE (HRC)  
 -PERMANENTLY APPLIED ON THE PART WITH 1.5mm LETTER SIZE  
 -INFORMATION TO BE PRINTED  
 5 DIGIT JULIAN MANUFACTURING DATE STAMP YYDD



34861-1126

34861-1326 (2 SHIELD TABS)

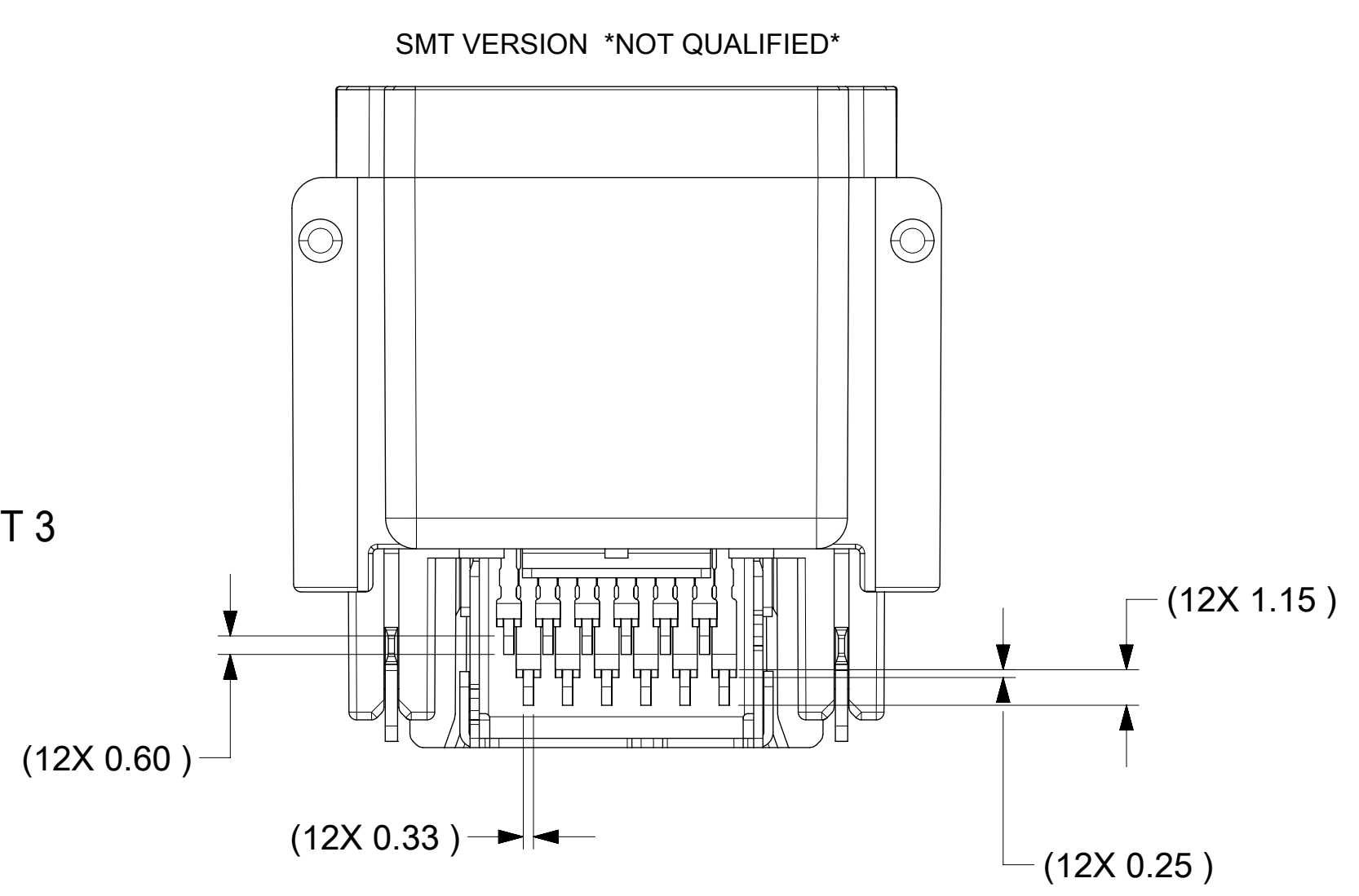
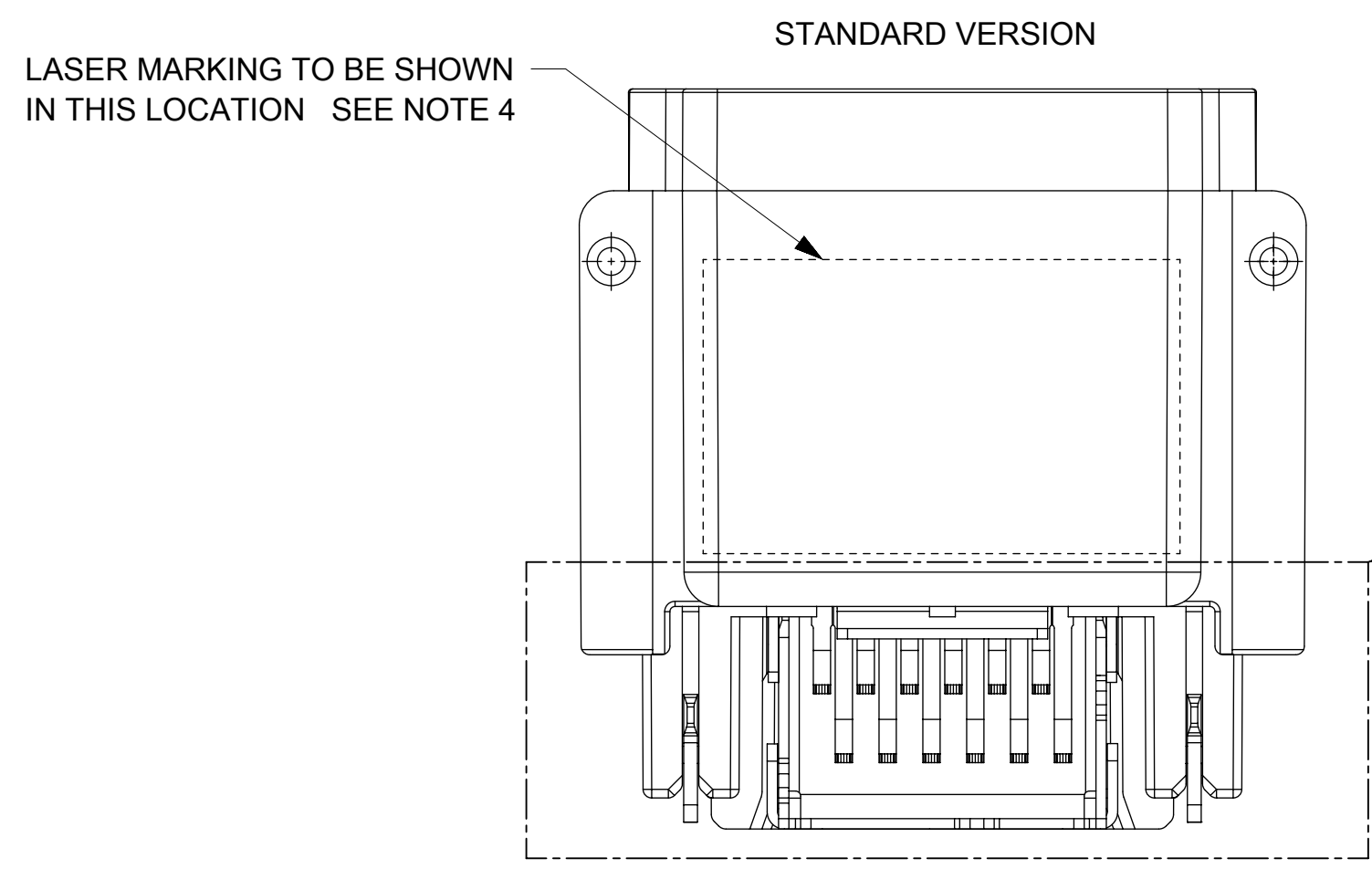
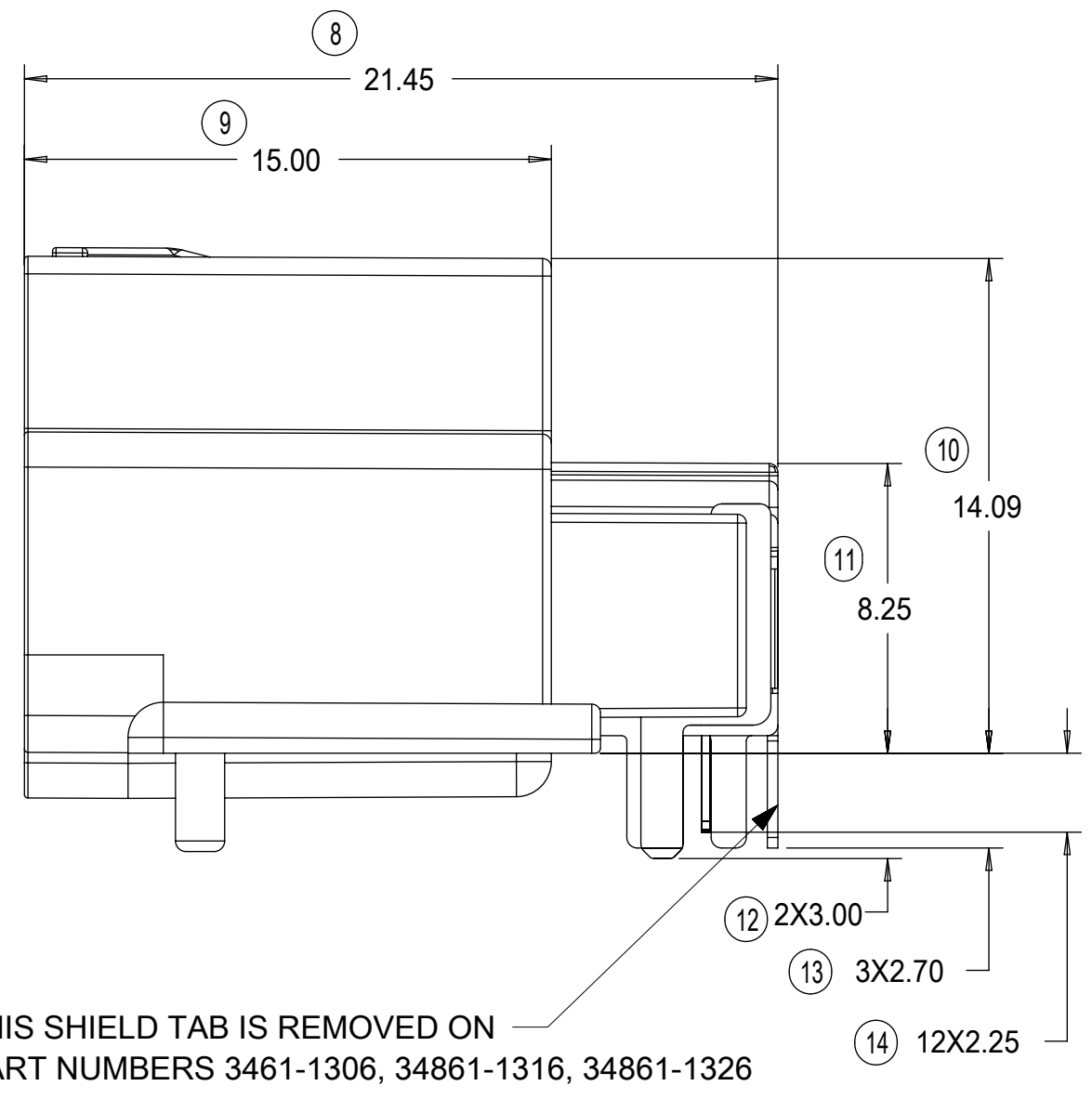
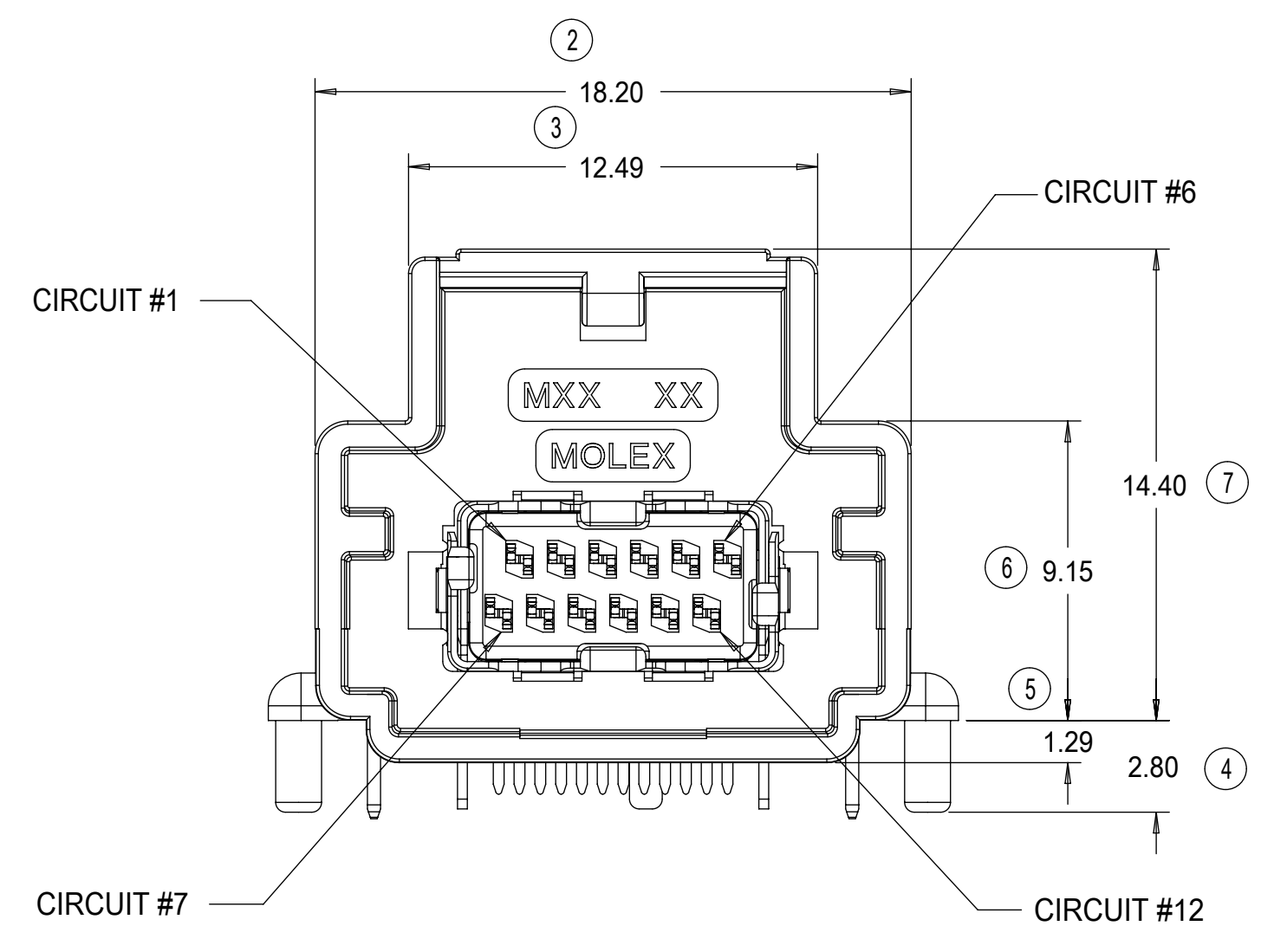
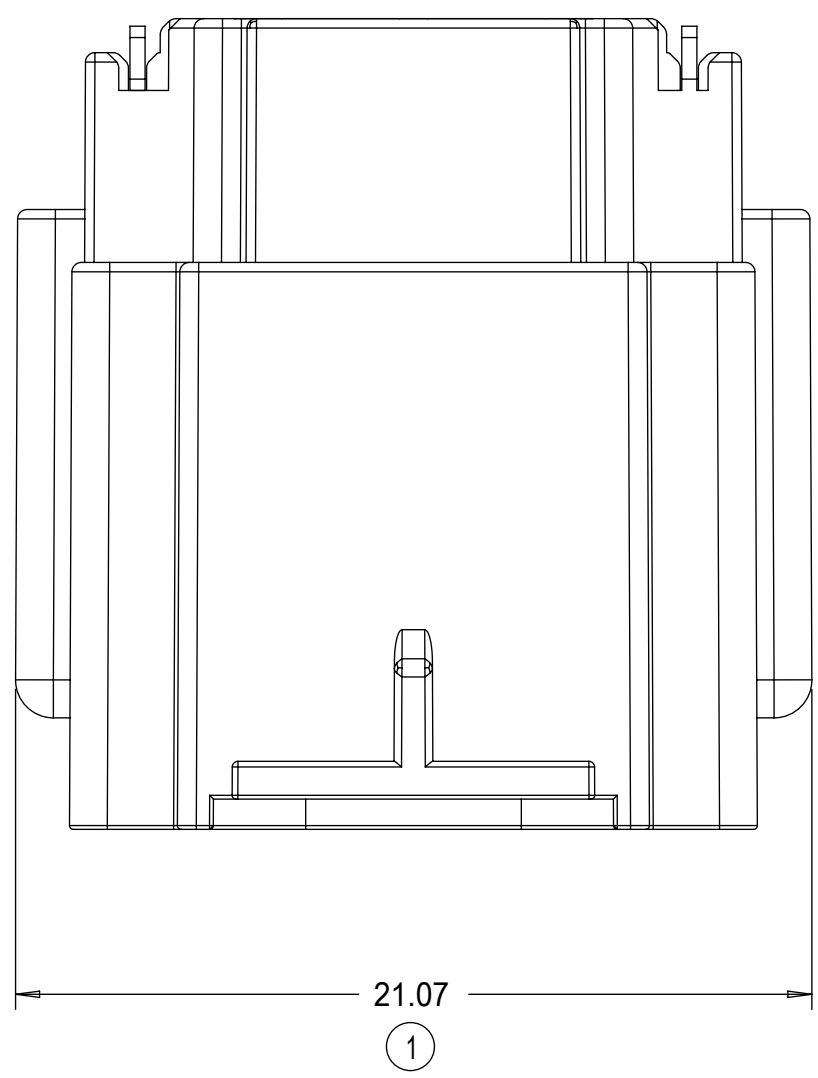
34861-2126 (SMT) \*NOT QUALIFIED\*

KEY OPTION 'C'

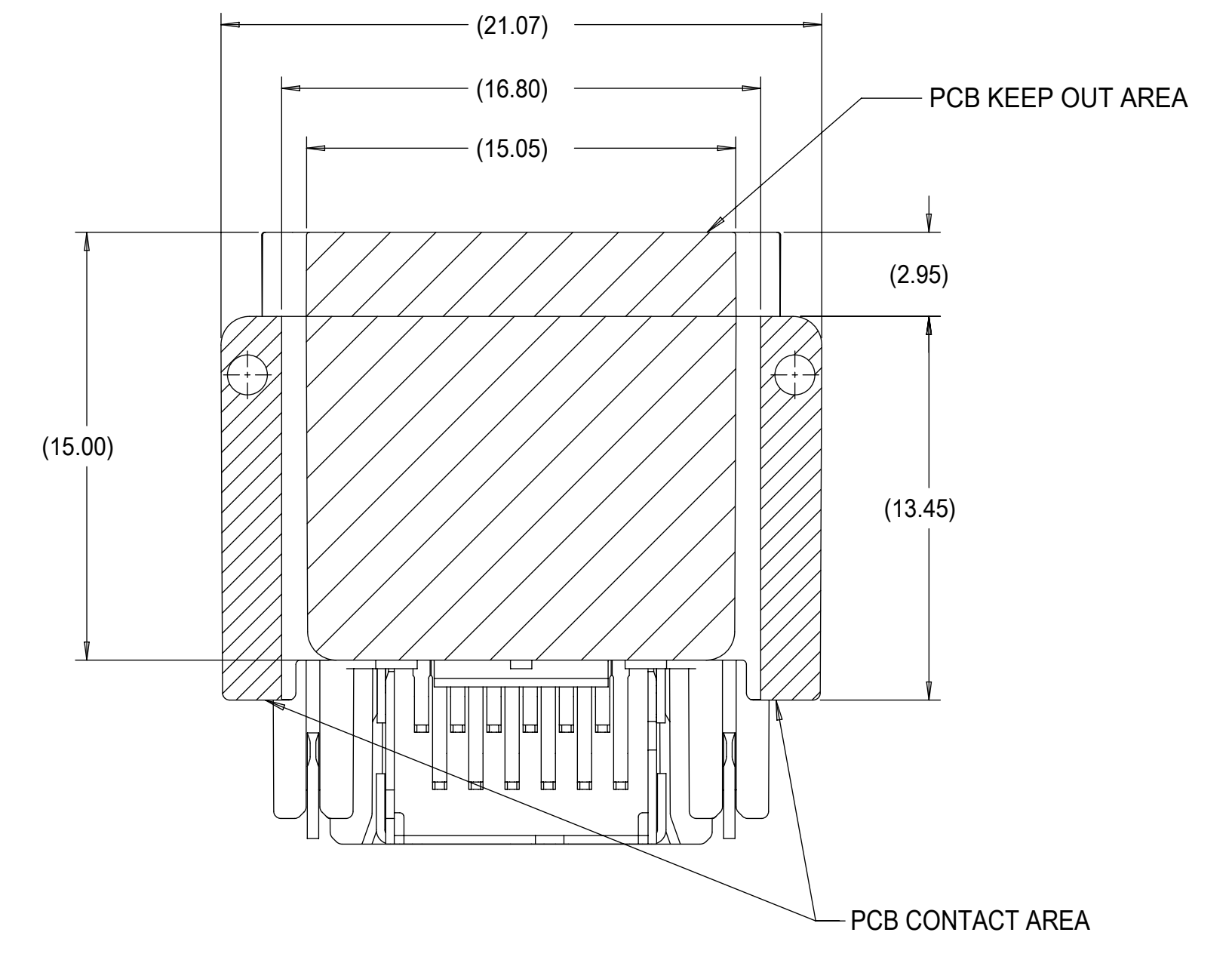
COLOR: BROWN

FUNCTIONAL SYMBOLS FA = 0 FC = 0 FD = 0	THIS DRAWING CONTAINS INFORMATION THAT IS PROPRIETARY TO MOLEX ELECTRONIC TECHNOLOGIES, LLC AND SHOULD NOT BE USED WITHOUT WRITTEN PERMISSION	DIMENSION UNITS	SCALE	CURRENT REV DESC: UPDATED PCB LAYOUT - PIN HOLE DIA			
	mm	8:1					
	GENERAL TOLERANCES (UNLESS SPECIFIED)				EC NO: 644293	2018/06/04	
	ANGULAR TOL ± °				DRWN: HKASSAB	2020/08/24	
DIVISIONAL SYMBOLS	4 PLACES ±	3 PLACES ±	2 PLACES ± 0.2	APPR: DGILKEY	2020/09/01		
	1 PLACE ±	0 PLACES ±		INITIAL REVISION:			
	DRAFT WHERE APPLICABLE MUST REMAIN WITHIN DIMENSIONS			DRWN: HKASSAB	2016/11/14		
				APPR: DNAYLIS	2017/07/19		
THIRD ANGLE PROJECTION		DRAWING	SERIES	MATERIAL NUMBER	CUSTOMER	SHEET NUMBER	
		D-SIZE	34861	SD-34861-1106	GENERAL MARKET	1 OF 4	

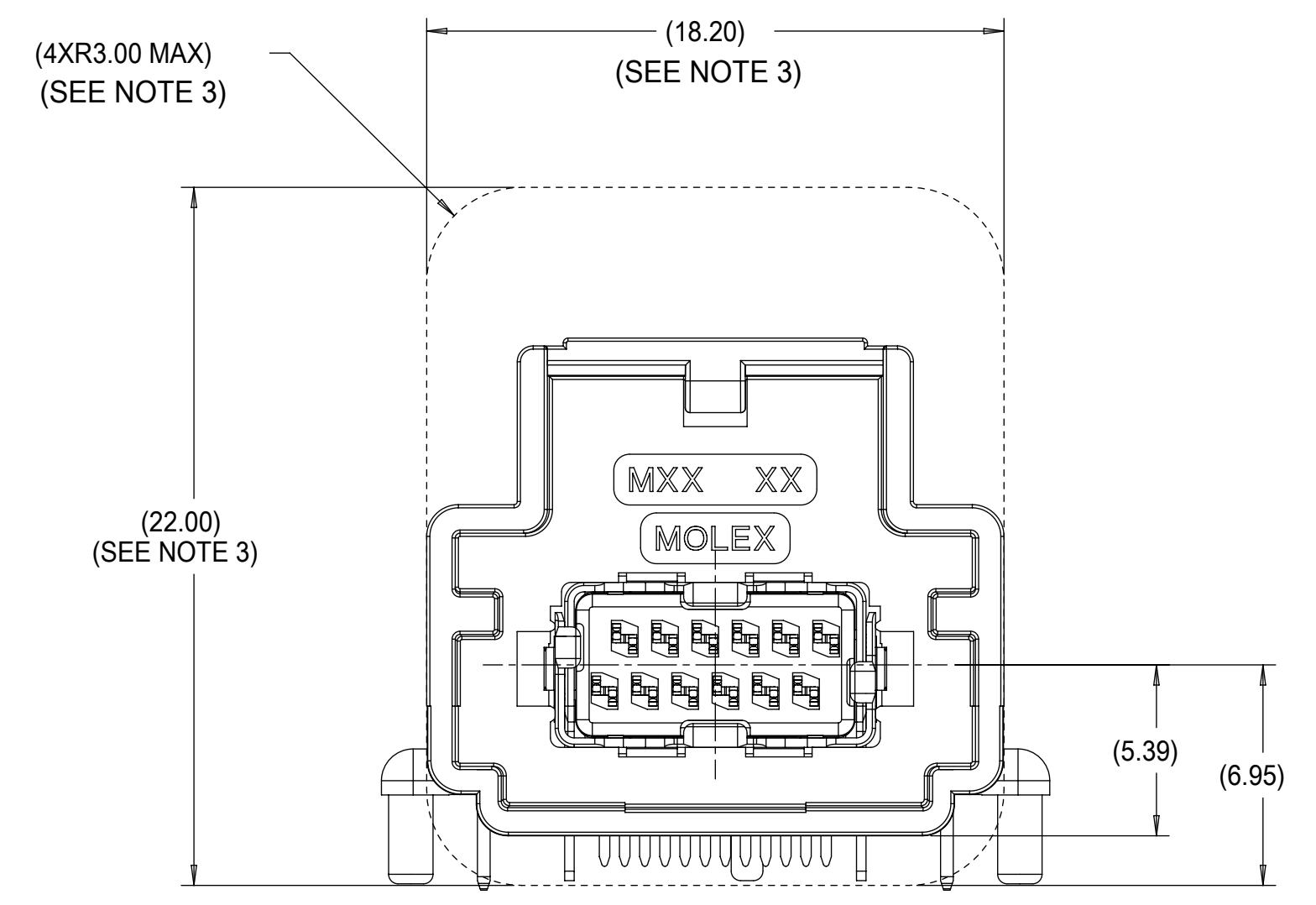
D1	UPDATED PCB LAYOUT - PIN HOLE DIA	SUDAYGUNAGI	23JULY2020
REV	DESCRIPTION	ENGINEER	DATE



### PCB CLEAROUT REGIONS

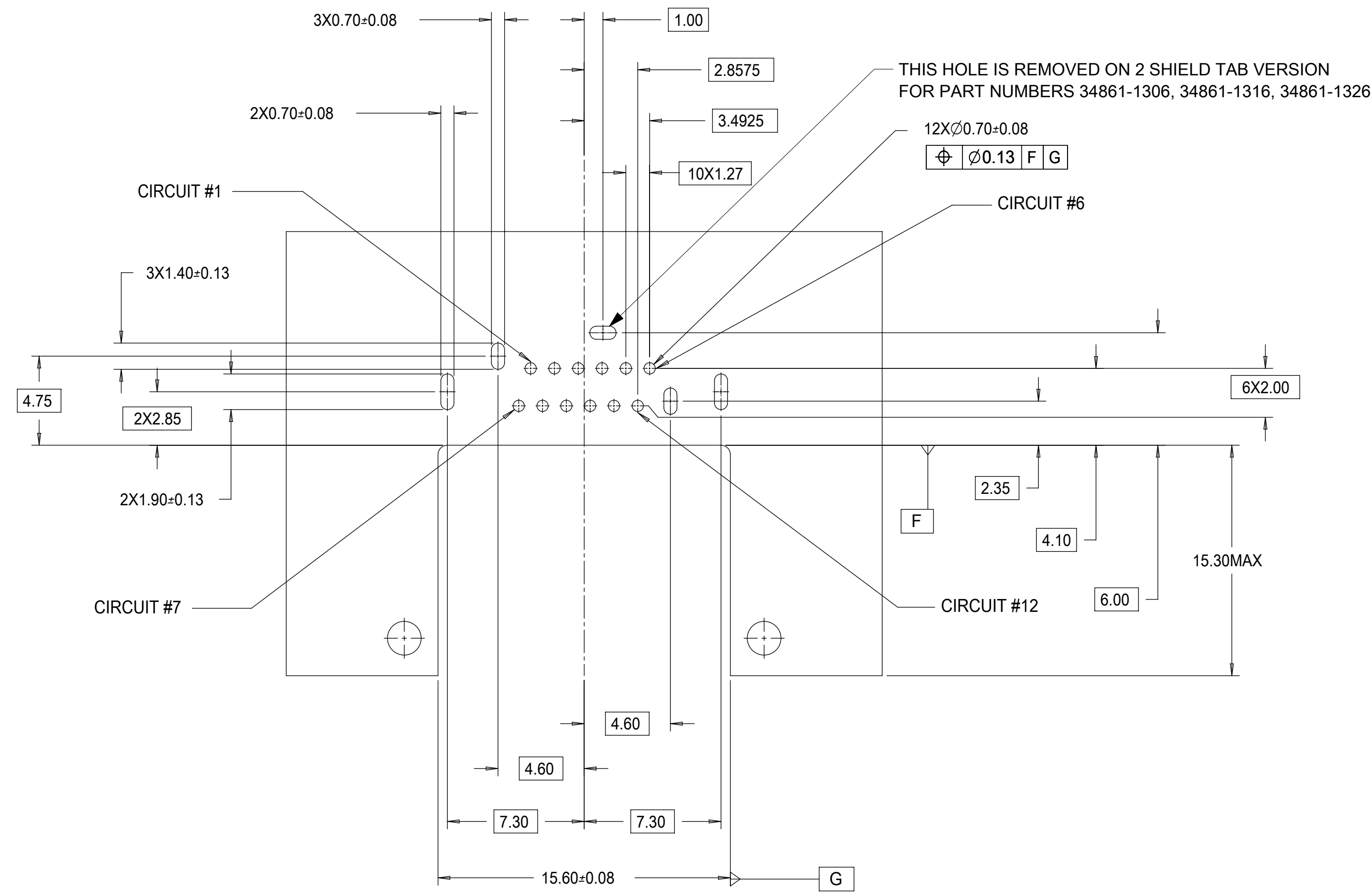


### HEADER-TO-MODULE INTERFACE REQUIREMENTS



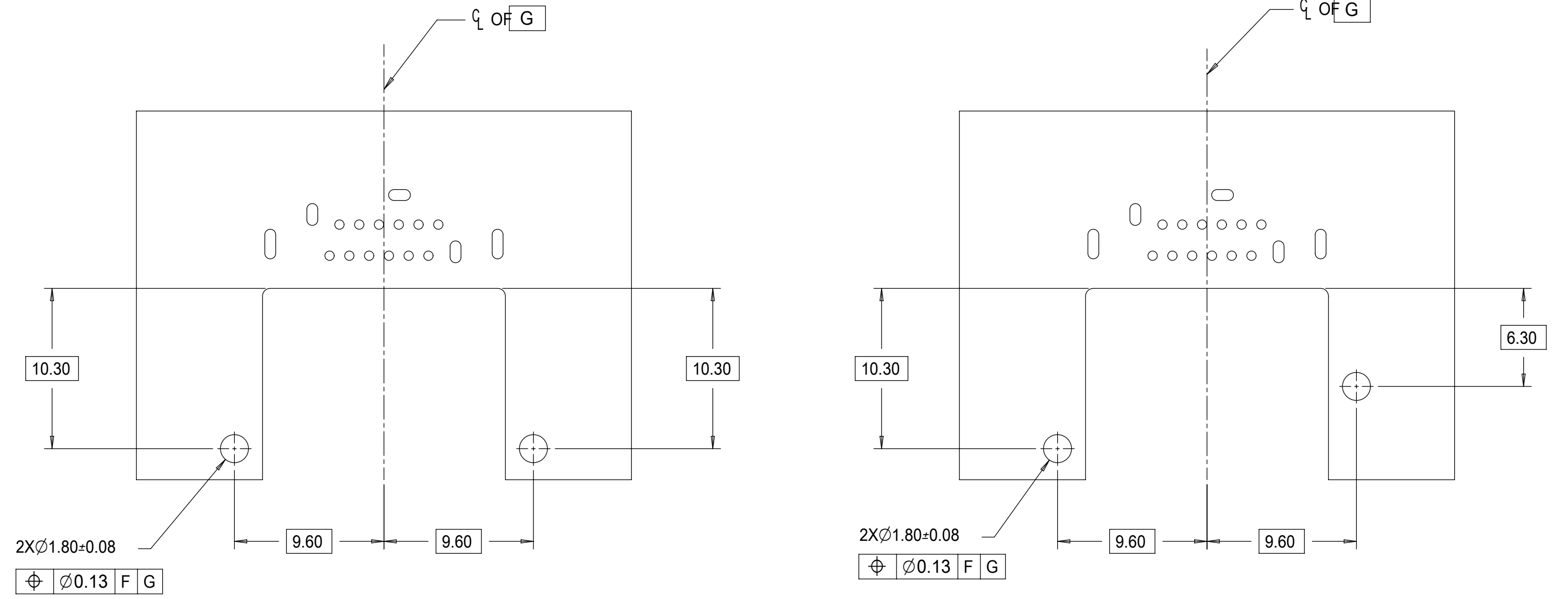
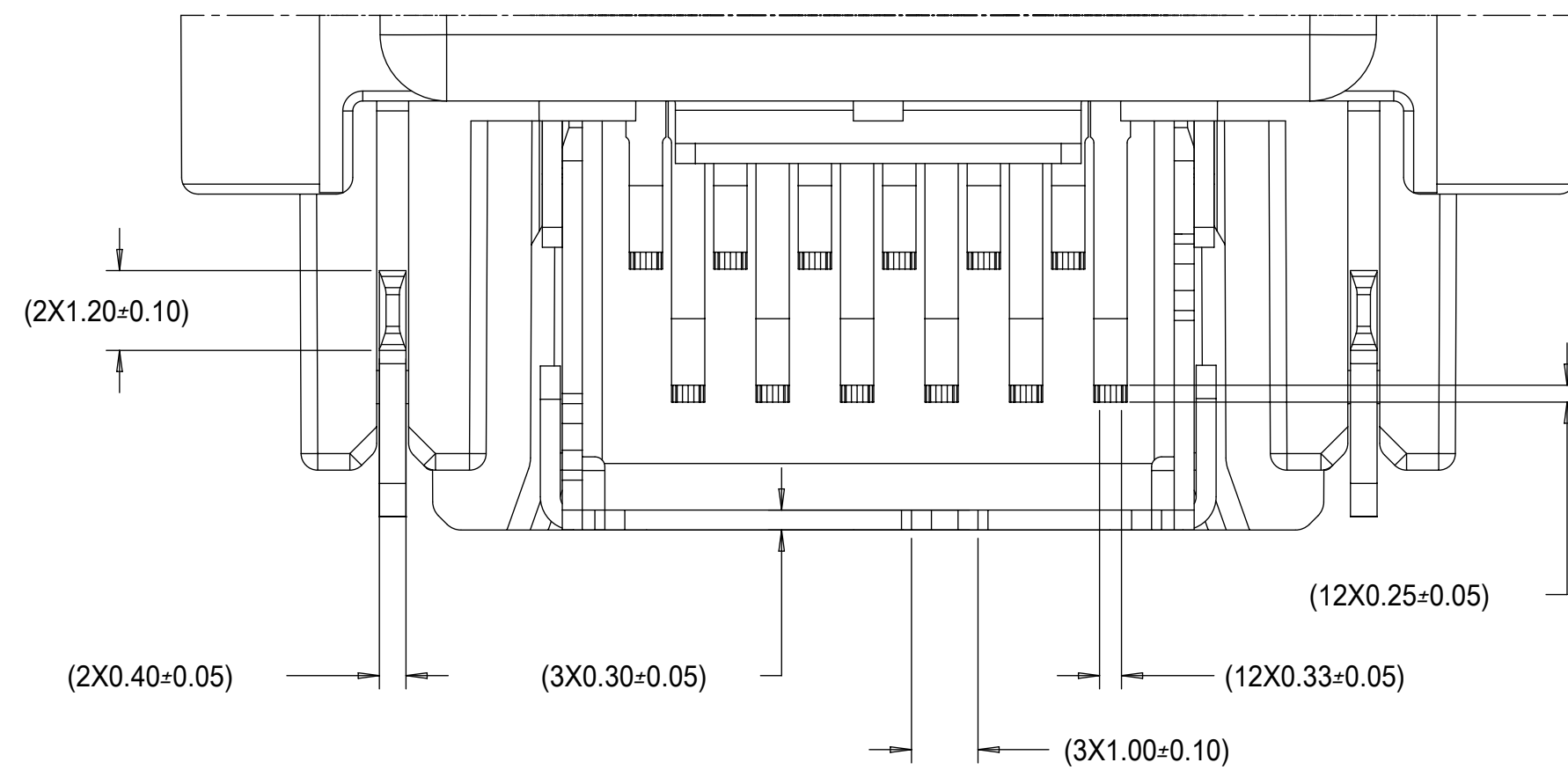
<b>FUNCTIONAL SYMBOLS</b> $\nabla_A = 0$ $\nabla_C = 0$ $\nabla_D = 0$	THIS DRAWING CONTAINS INFORMATION THAT IS PROPRIETARY TO MOLEX ELECTRONIC TECHNOLOGIES, LLC AND SHOULD NOT BE USED WITHOUT WRITTEN PERMISSION		DIMENSION UNITS: <b>mm</b> SCALE: <b>5:1</b>		CURRENT REV DESC: UPDATED PCB LAYOUT - PIN HOLE DIA	
	GENERAL TOLERANCES (UNLESS SPECIFIED)		ANGULAR TOL: $\pm$ °		EC NO: 644293 DRWN: HKASSAB 2018/06/04 CHK'D: SMAMIDINAGAV 2020/08/24 APPR: DGILKEY 2020/09/01	
	4 PLACES $\pm$ 3 PLACES $\pm$ 2 PLACES $\pm 0.2$ 1 PLACE $\pm$ 0 PLACES $\pm$		INITIAL REVISION: DRWN: HKASSAB 2016/11/14 APPR: DNAYLIS 2017/07/19		DOCUMENT NUMBER: <b>SD-34861-1106</b> DOC TYPE: PSD DOC PART: 000 REVISION: <b>D1</b>	
	DRAFT WHERE APPLICABLE MUST REMAIN WITHIN DIMENSIONS		THIRD ANGLE PROJECTION		DRAWING: <b>D-SIZE</b> SERIES: <b>34861</b> MATERIAL NUMBER: GENERAL MARKET CUSTOMER: GENERAL MARKET SHEET NUMBER: 2 OF 4	

# RECOMMENDED PCB LAYOUT - HEADER SIDE PCB



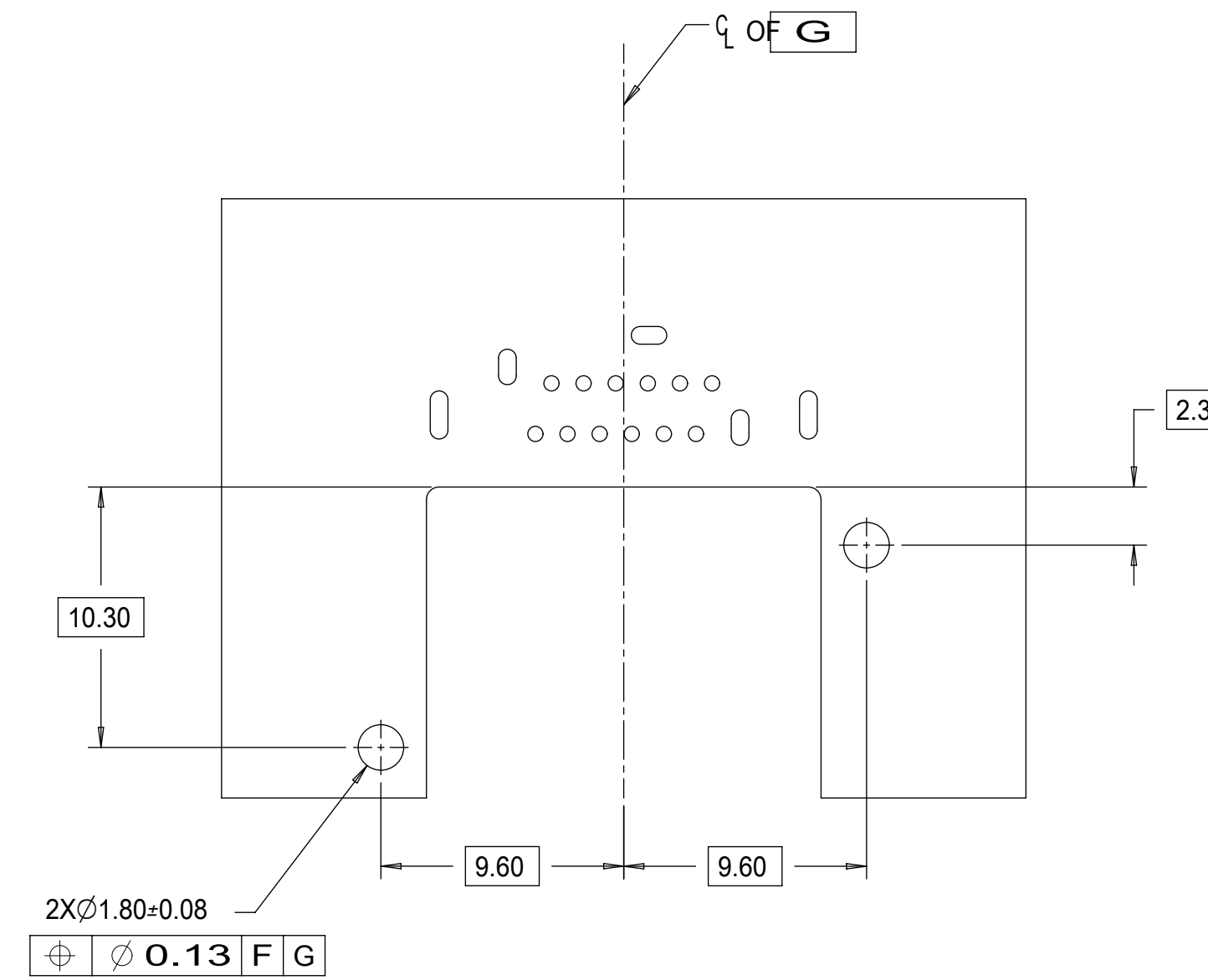
ALL THROUGH HOLE DIMENSIONS ARE APPLICABLE FOR ALL KEY OPTIONS

## SOLDER TAILS SIZE FOR REFERENCE ONLY



PCB KEY FEATURES OPTION 'A'

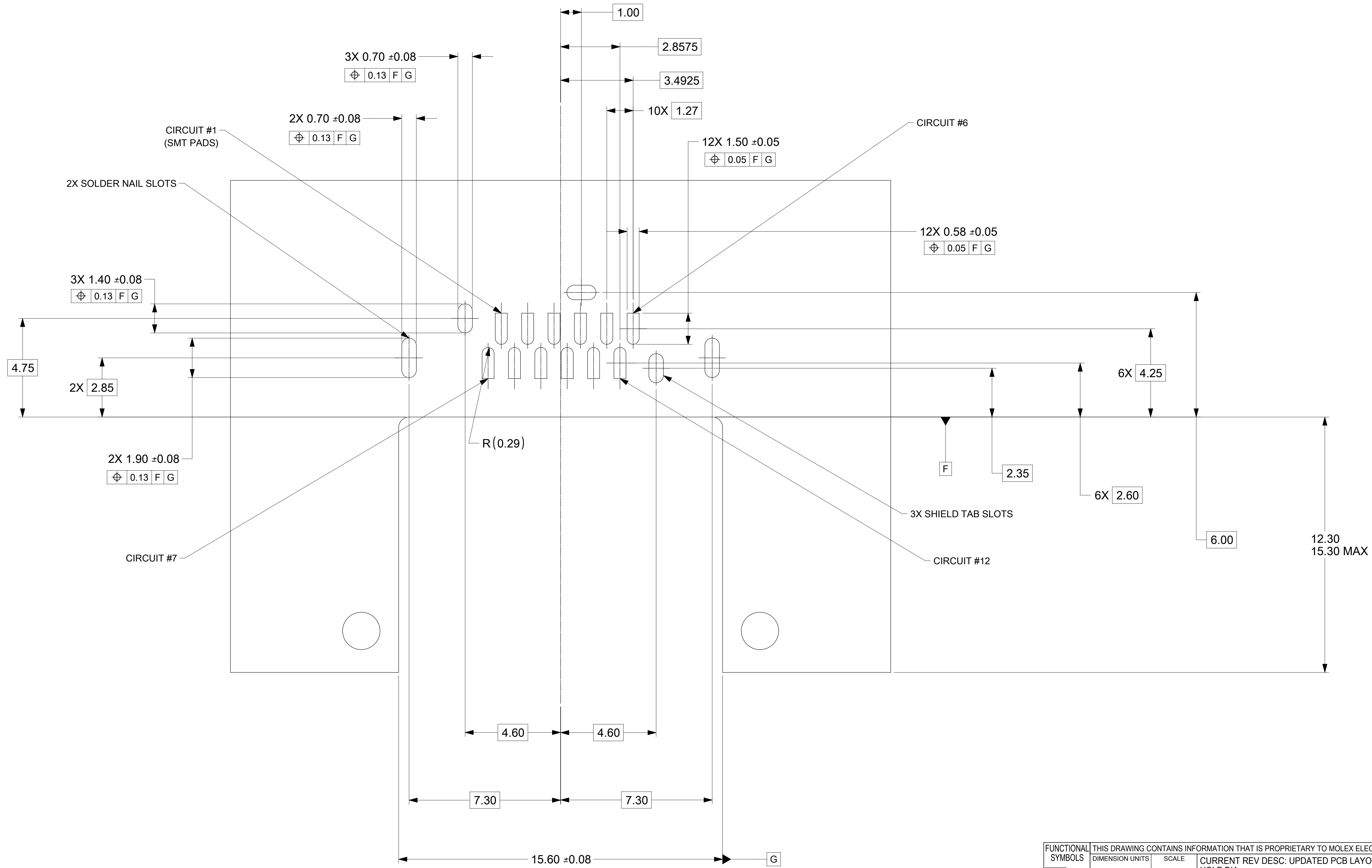
PCB KEY FEATURES OPTION 'B'



PCB KEY FEATURES OPTION 'C'

<b>FUNCTIONAL SYMBOLS</b> $F_A = 0$ $F_C = 0$ $F_P = 0$	THIS DRAWING CONTAINS INFORMATION THAT IS PROPRIETARY TO MOLEX ELECTRONIC TECHNOLOGIES, LLC AND SHOULD NOT BE USED WITHOUT WRITTEN PERMISSION		DIMENSION UNITS: <b>mm</b>		SCALE: <b>1:1</b>	CURRENT REV DESC: UPDATED PCB LAYOUT - PIN HOLE DIA									
	GENERAL TOLERANCES (UNLESS SPECIFIED)		ANGULAR TOL: $\pm$ °		EC NO: 644293		DRWN: HKASSAB 2018/06/04					HSAUTOLINK II UNSEALED HEADER 12CKT R/A			
	4 PLACES $\pm$		3 PLACES $\pm$		CHK'D: SMAMIDINAGAV 2020/08/24		APPR: DGILKEY 2020/09/01		PRODUCT CUSTOMER DRAWING						
	2 PLACES $\pm 0.2$		1 PLACE $\pm$		0 PLACES $\pm$		INITIAL REVISION: DRWN: HKASSAB 2016/11/14 APPR: DNAYLIS 2017/07/19						DOCUMENT NUMBER: <b>SD-34861-1106</b>		DOC TYPE: <b>PSD</b>
DRAFT WHERE APPLICABLE MUST REMAIN WITHIN DIMENSIONS		THIRD ANGLE PROJECTION		DRAWING: <b>D-SIZE</b>		SERIES: <b>34861</b>		MATERIAL NUMBER:		CUSTOMER: <b>GENERAL MARKET</b>		SHEET NUMBER: <b>3 OF 4</b>			

# RECOMMENDED SMT PCB LAYOUT - HEADER SIDE PCB \*NOT QUALIFIED\*



<b>FUNCTIONAL SYMBOLS</b> FA = 0 FC = 0 FP = 0 <b>DIVISIONAL SYMBOLS</b>	THIS DRAWING CONTAINS INFORMATION THAT IS PROPRIETARY TO MOLEX ELECTRONIC TECHNOLOGIES, LLC AND SHOULD NOT BE USED WITHOUT WRITTEN PERMISSION		DIMENSION UNITS: <b>mm</b> SCALE: <b>10:1</b>		CURRENT REV DESC: UPDATED PCB LAYOUT - PIN HOLE DIA				
	GENERAL TOLERANCES (UNLESS SPECIFIED)		EC NO: 644293 DRWN: HKASSAB 2018/06/04 CHK'D: SMAMIDINAGAV 2020/08/24 APPR: DGILKEY 2020/09/01		HSAUTOLINK II UNSEALED HEADER 12CKT R/A				
	ANGULAR TOL ± °		INITIAL REVISION: DRWN: HKASSAB 2016/11/14 APPR: DNAYLIS 2017/07/19		PRODUCT CUSTOMER DRAWING		DOCUMENT NUMBER: <b>SD-34861-1106</b>		
	4 PLACES ± 3 PLACES ± 2 PLACES ± 0.2 1 PLACE ± 0 PLACES ±		DRAFT WHERE APPLICABLE MUST REMAIN WITHIN DIMENSIONS		THIRD ANGLE PROJECTION 		DRAWING: <b>D-SIZE</b> SERIES: <b>34861</b>		DOC TYPE: PSD DOC PART: 000 REVISION: D1
MATERIAL NUMBER:		CUSTOMER:		SHEET NUMBER:		GENERAL MARKET		4 OF 4	