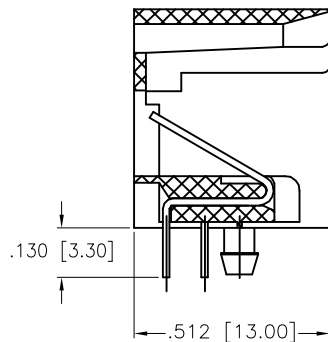
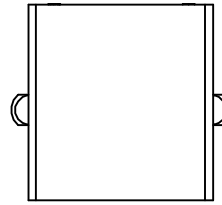
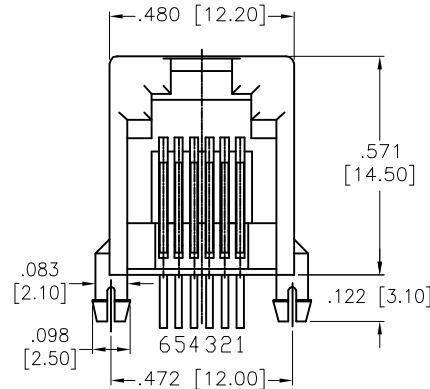


APPROVED: _____
 DATE: _____ TITLE: _____

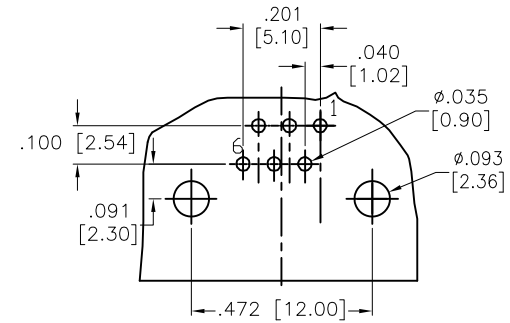
Rev	AWO #	Description	Date	Appr
-		RELEASED	10/4/04	
A		UPDATED SPECIFICATIONS	4/22/08	
B		REDRAWN	10/9/12	
C		UPDATED DRAWING	9/23/16	HR/RT
D		UPDATED DRAWING	12/11/18	HR/RC1



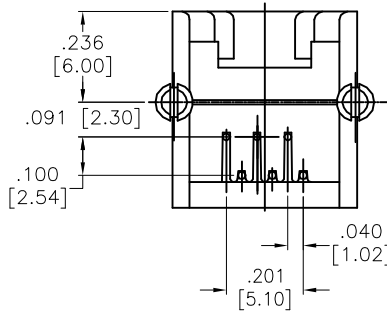
SECTION A-A



AL



RECOMMENDED PCB LAYOUT



SPECIFICATIONS:

Material:
 Insulator: PBT, rated UL 94V-0
 Insulator color: Gray
 Contacts: Phosphor Bronze
 Plating:
 Round contact
 Gold over Nickel underplate overall
 Flat contact
 Gold over Nickel underplate on contact area,
 Tin over Nickel underplate on solder tails

Electrical:
 Voltage rating: 150 VAC RMS
 Current rating: 1.5 Amp
 Contact resistance: 20 mohms max.
 Insulation resistance: 1,000 Mohms min. @ 500 VDC
 Dielectric withstanding voltage: 1,000 VAC or 1,500 VDC RMS for 1 minute
 Temperature Rating:
 Operating temperature: -40°C to +85°C

Environmental:
 Lead free, RoHS compliant.



UNLESS OTHERWISE SPECIFIED
 ALL DIMENSIONS ARE INCHES [MM]
 TOLERANCES: EXCEPT AS NOTED

INCHES		HOLES	
.X	± .10	Ø.X	± .10
.XX	± .020	Ø.XX	± .015
.XXX	± .015	Ø.XXX	± .010

ADAM TECH
INTERCONNECTS
 909 Rahway Avenue,
 Union, NJ 07083
 Phone: 908-687-5000
 Fax: 908-687-5710

TITLE
 MODULAR TELEPHONE JACK, 6P6C
 RIGHT ANGLE, PCB

APPROVALS		DATE
DRAWN	SS	10/4/04
CHECKED		
APPROVED		

SIZE	PART NO.	REV.
X	MTJ-662BX2	D
REF: S00005C	SCALE: NTS	SHEET 1 OF 1