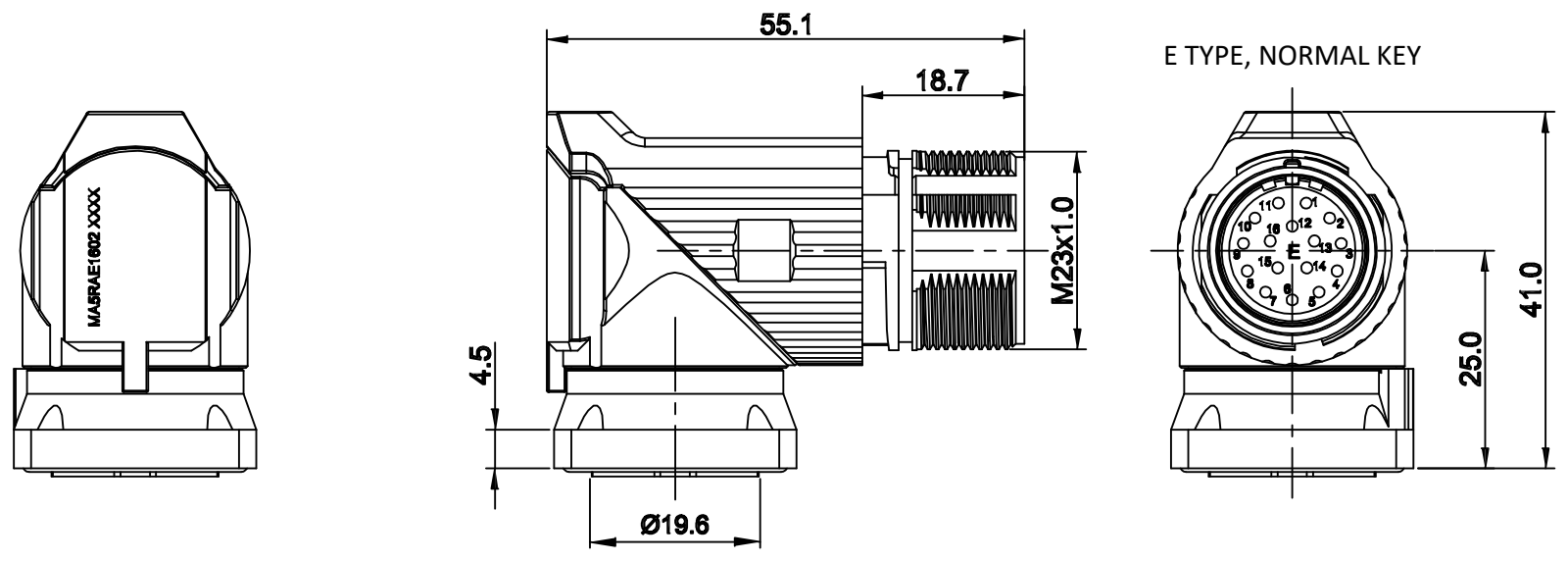


REVISIONS					
REV	ECO	DESCRIPTION	DATE	BY	APPR
A1	-	FIRST RELEASE	Oct.22,2015	Drack	Tommy
A2	-	Updated Drawing	Jun.16.2017	White	Tommy

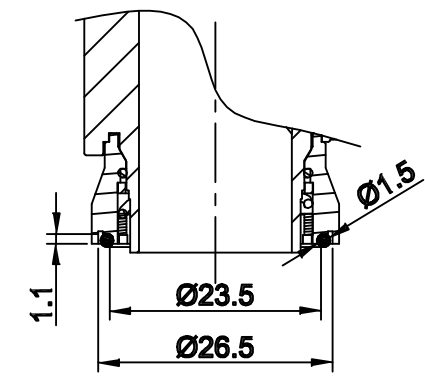
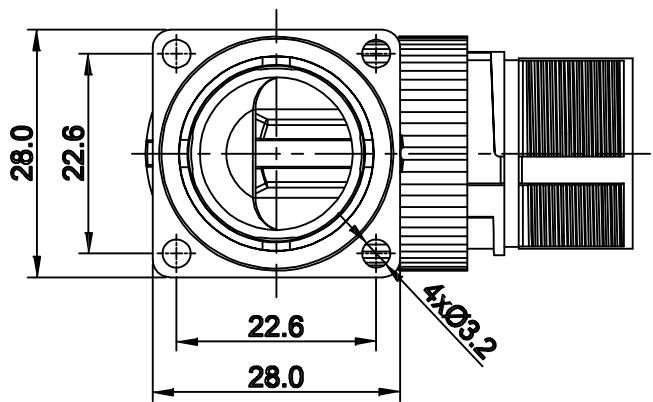


NOTES: UNLESS OTHERWISE SPECIFIED

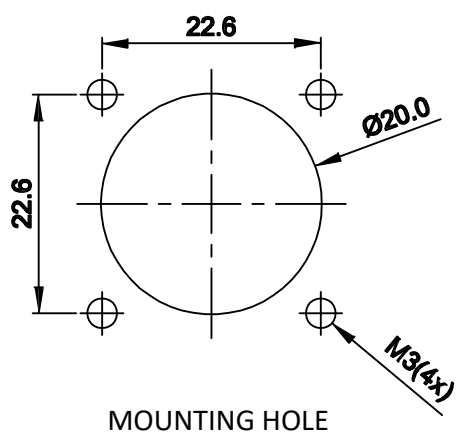
- MATERIAL:
INSULATION INSERT: PA66,UL94 V0
SEAL: VITON
HOUSING BODY: ZINC DIE CAST, NICKEL PLATED

- SPECIFICATIONS
 - CURRENT RATING: 9 AMPS
 - VOLTAGE RATING: 125 V AC/DC
 - OPERATING TEMPERATURE: -20C TO +130C
 - DIELECTRIC WITHSTANDING VOLTAGE: LESS THAN 2 MILLIAMPS CURRENT LEAKAGE @ 2500 VOLTS AC.
 - DEGREE OF PROTECTION: IP67 (MATED CONDITION)
 - DEGREE OF POLLUTION: 3 PER UL840
 - OVERVOLTAGE CATEGORY: III PER UL840
 - MATING CYCLE DURABILITY: >500 CYCLES
 - RoHS COMPLIANT

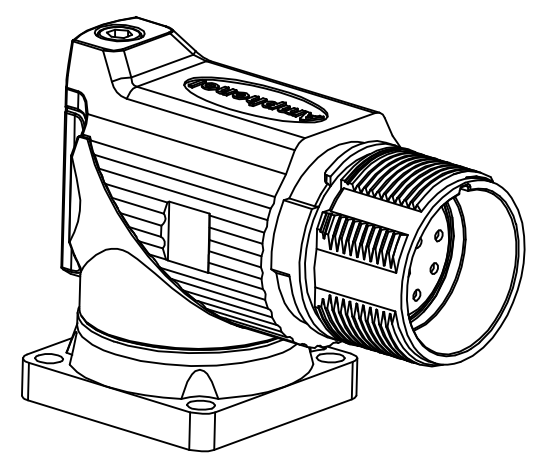
3. ALL DIMENSIONS ARE FOR REFERENCE USE ONLY.



PANEL SEAL RING DETAIL



MOUNTING HOLE



QUANTITY	SEE PART NUMBER CHART	DESCRIPTION	ITEM												
MATERIALS LIST															
UNLESS OTHERWISE SPECIFIED 1) All dimensions are in metric(mm). 2) Tolerances are as follows: 1 PL DEC ±0.30 2 PL DEC ±0.15 3 PL DEC ±0.08 3) Note reference = X		<table border="1"> <tr> <th>SIGNATURES</th> <th>DATE</th> </tr> <tr> <td>DRAWN: White</td> <td>Jun.16.2017</td> </tr> <tr> <td>CHECKED: Tod</td> <td>Jun.16.2017</td> </tr> <tr> <td>ENGINEER:</td> <td></td> </tr> <tr> <td>APPROVAL: Tommy</td> <td>Jun.16.2017</td> </tr> <tr> <td>CUSTOMER:</td> <td></td> </tr> </table>	SIGNATURES	DATE	DRAWN: White	Jun.16.2017	CHECKED: Tod	Jun.16.2017	ENGINEER:		APPROVAL: Tommy	Jun.16.2017	CUSTOMER:		<p style="text-align: center;">Amphenol</p> <p style="text-align: center;">Sine Systems - www.amphenol-sine.com 44724 Morley Drive Clinton Township, MI 48036</p>
SIGNATURES	DATE														
DRAWN: White	Jun.16.2017														
CHECKED: Tod	Jun.16.2017														
ENGINEER:															
APPROVAL: Tommy	Jun.16.2017														
CUSTOMER:															
MATERIAL SPECIFICATIONS:		M23A,REC.,RA,16P,E TYPE, CHECKMATE													
PROCESS SPECIFICATIONS:		<table border="1"> <tr> <th>SIZE</th> <th>TYPE</th> <th>DWG NO.</th> <th>REVISION</th> </tr> <tr> <td>B</td> <td>C-</td> <td>MA5RAE1602</td> <td>A2</td> </tr> </table>	SIZE	TYPE	DWG NO.	REVISION	B	C-	MA5RAE1602	A2	<table border="1"> <tr> <td>SCALE: NONE</td> <td>SHEET 1 OF 1</td> </tr> </table>	SCALE: NONE	SHEET 1 OF 1		
SIZE	TYPE	DWG NO.	REVISION												
B	C-	MA5RAE1602	A2												
SCALE: NONE	SHEET 1 OF 1														
NEXT ASSY:															

TITLE: M23A, REC., RA, 16P, E TYPE, CHECKMATE
DWG NO.: MASRAE1602
REV: A2
SH: 1
OF: 1