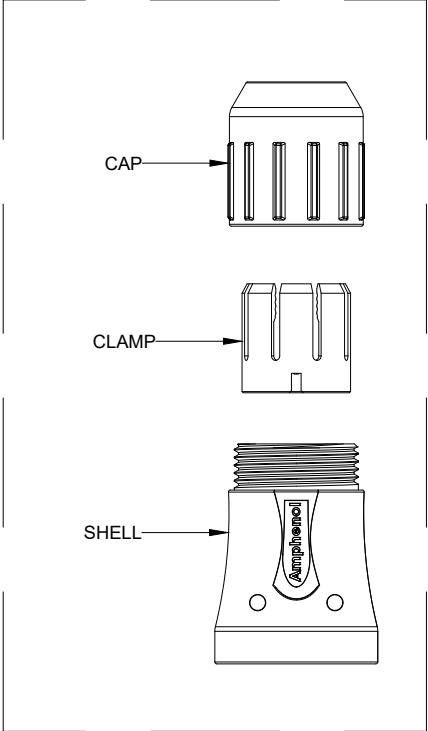
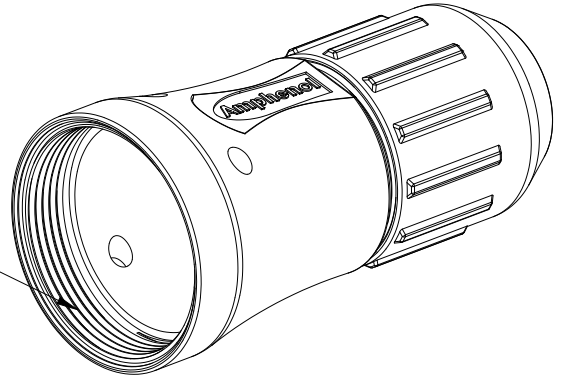
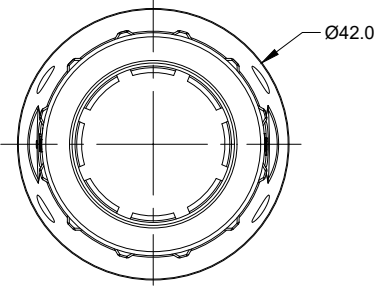
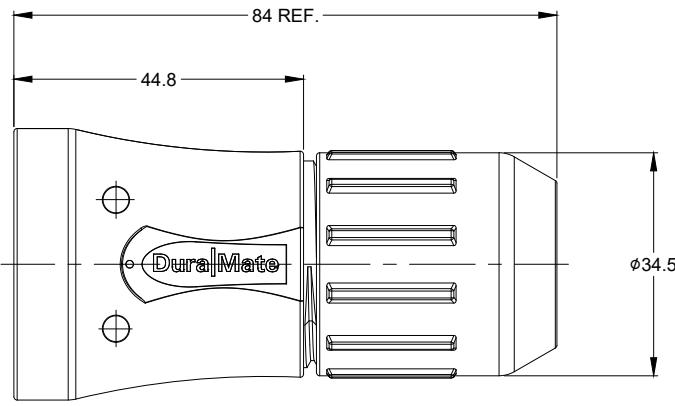


REVISIONS					
REV	ECO	DESCRIPTION	DATE	BY	APPR
A1	--	RELEASE NEW DRAWING	26/SEP/18	ROOKIE	TOMMY



NOTES: UNLESS OTHERWISE SPECIFIED

- MATERIAL:
SHELL: ALUMINIUM ALLOY, NICKEL PLATED;
CAP AND CLAMP: THERMOPLASTIC.
- USE WITH AHDM SERIES SIZE 24 MODIFICATION .
- APPLY TO CABLE OD SIZE: $\phi 20.5 \sim \phi 24.2$.
- RoHS COMPLIANT.
- ALL DIMENSIONS ARE FOR REFERENCE USE ONLY.

TITLE: BACKSHELL, 24 SZ, AHDM
DWG NO: AHDMBS-24-002
REV: A1
SH: 1
OF: 1

AHDMS-24-002		DESCRIPTION		ITEM
PART NUMBER		DESCRIPTION		ITEM
QUANTITY		MATERIALS LIST		
UNLESS OTHERWISE SPECIFIED: 1) All dimensions are in metric(mm). 2) Tolerances are as follows: 1 PL DEC ± 0.30 Fractions $\pm 1/64$ 2 PL DEC ± 0.15 Angles $\pm 1^\circ$ 3 PL DEC ± 0.08 3) Note reference = Δ		SIGNATURES	DATE	 Sine Systems - www.amphenol-sine.com 44724 Morley Drive Clinton Township, MI 48036 BACKSHELL, 24 SZ, AHDM
MATERIAL SPECIFICATIONS:		DRAWN: ROOKIE	26/SEP/18	
PROCESS SPECIFICATIONS:		CHECKED: ORION	26/SEP/18	
NEXT ASSY:		ENGINEER:		
		APPROVAL: TOMMY	26/SEP/18	
		CUSTOMER:		
		THIS DRAWING IS SUPPLIED FOR INFORMATION ONLY. DESIGN FEATURES, SPECIFICATIONS AND PERFORMANCE DATA SHOWN HEREON ARE THE PROPERTY OF THE AMPHENOL CORPORATION. NO RIGHTS OF REPRODUCTION ARE IMPLIED. ALL DIMENSIONS ARE SUBJECT TO NORMAL MANUFACTURING VARIATIONS.		SIZE: B C- TYPE: C- DWG NO: AHDMS-24-002 REVISION: A1
		SCALE: NONE		SHEET 1 OF 1