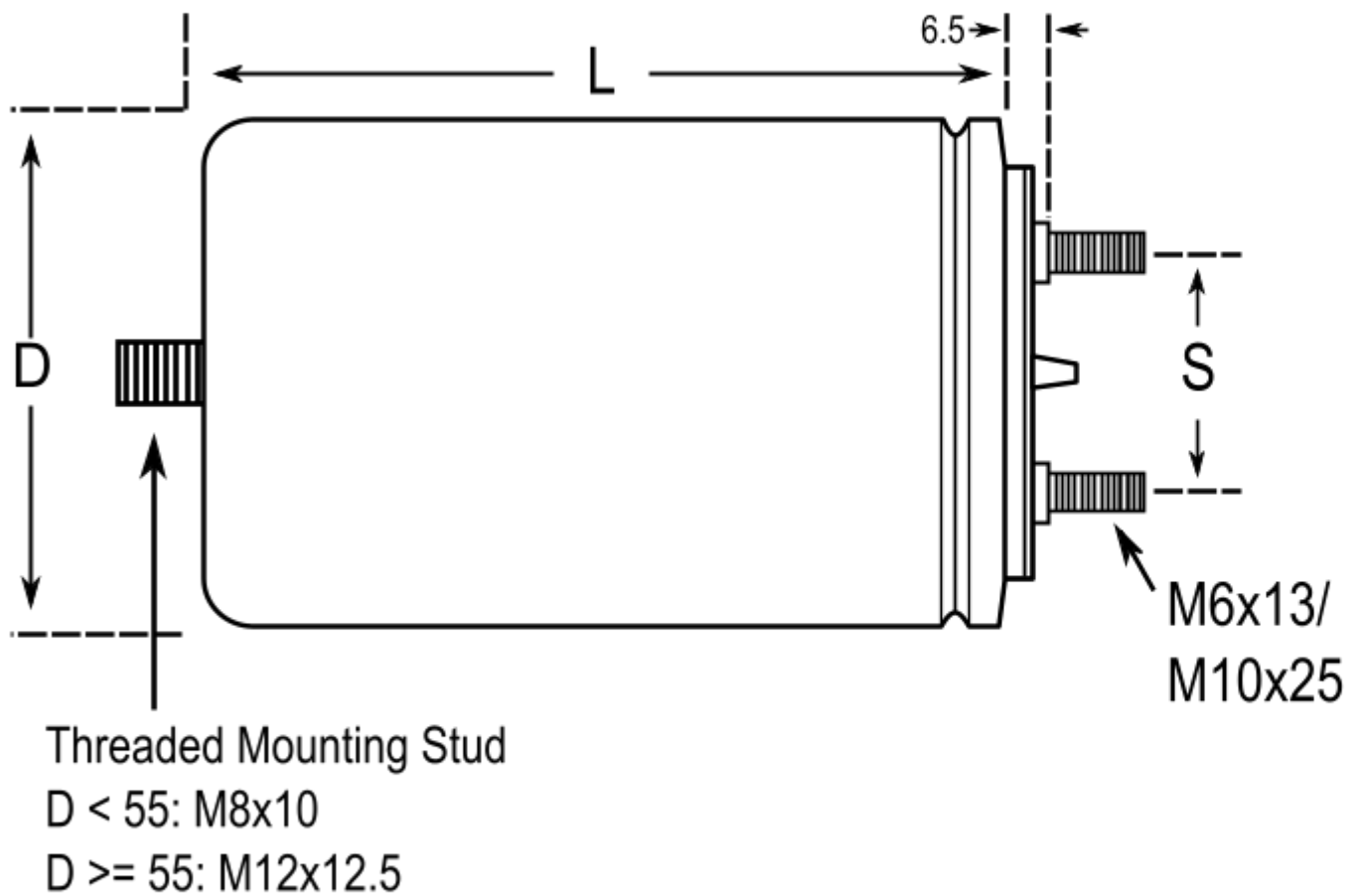


C44AMFP5100ZD0J

C44A, Film, Metallized Polypropylene, Power, 10 uF, 5%, 450 VAC, 850 VDC



Click [here](#) for the 3D model.

Dimensions

D 50mm +/-0.5mm

L 97mm +/-2mm

S 22.3mm +/-0.5mm

Packaging Specifications

Mounting

Bolt - M8x10

Packaging Specifications

Packaging Bulk, Bag

Packaging Quantity 25

General Information

Series C44A
Dielectric Metallized Polypropylene
Style Can
RoHS With Exemptions
REACH SVHC (Pb – CAS 7439-92-1)
SCIP Number cc1c1ec4-db9e-4815-b26b-e8a34ddfb776
Lead Threaded Studs M6
AEC-Q200 No
Component Weight 256 g
Miscellaneous Thermal Resistance = 3.2 C/W.

Specifications

Capacitance 10 uF
Capacitance Tolerance 5%
Voltage AC 450 VAC
Voltage DC 850 VDC
Temperature Range -40/+85°C
Rated Temperature 70°C
Max dV/dt 50 V/us
Resistance 5 mOhms (TYP)
Ripple Current 25 Amps, 500 Amps (Peak)

Statements of suitability for certain applications are based on our knowledge of typical operating conditions for such applications, but are not intended to constitute - and we specifically disclaim - any warranty concerning suitability for a specific customer application or use. This Information is intended for use only by customers who have the requisite experience and capability to determine the correct products for their application. Any technical advice inferred from this Information or otherwise provided by us with reference to the use of our products is given gratis, and we assume no obligation or liability for the advice given or results obtained.

Generated 5/18/2023 - 519a4f56-1803-4e27-b999-4389125d1ad6

© 2006 - 2023 KEMET

Generated 5/18/2023 - 519a4f56-1803-4e27-b999-4389125d1ad6

© 2006 - 2023 KEMET