

THIS DRAWING IS UNPUBLISHED.

RELEASED FOR PUBLICATION

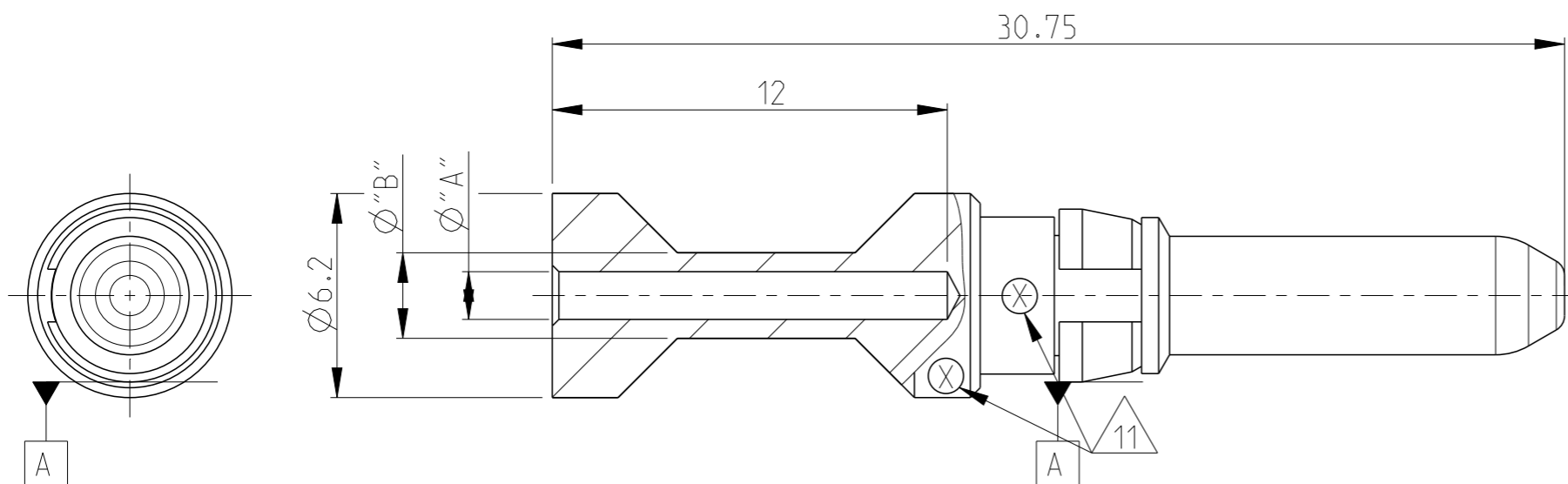
2006

© COPYRIGHT 2006 BY -

ALL RIGHTS RESERVED.

REVISIONS

P	LTR	DESCRIPTION	DATE	DWN	APVD
A2		PN3-2; 5-2; 6-2 OBSOLETE	Eg00-1426-03	17.04.03	SR SM
A3		ECR-09-005436		10MAR2010	VG MH
A4		ECR-16-016696		23AUG2017	GCM MKO



Notes

- 1 MATERIAL: BRASS
- 2 FINISH SILVER PLATING: 2 µm Ag MIN. OVER Cu
- 3 FINISH GOLD PLATING: 0.75 µm Au MIN. OVER Ni
- 4 NO VENTILATION HOLE REQUIRED AT CROSS-SECTION >4.0 MM<sup>2</sup>
- 5 WEIGHT: 3.33 g, VOLUME: 394mm<sup>3</sup> (APPROX.)
- 6 SUITABLE SOCKET CONTACT: CUSTOMER DRAWING 1105251
- 7 SUITABLE INSERTS: SERIES HSM, CUSTOMER DRAWING
- 8 SUITABLE CRIMP TOOL: PN 1-1105850-8
- 9 SUITABLE INSERTION TOOL: PN 0-1102855-6
- 10 SUITABLE EXTRACTION TOOL: PN 0-1102855-4
- 11 CROSS-SECTION MARKING
- 12 STANDARDS: DIN EN 61984, DIN EN 60664-1

ORDERING TEXT	PLATING	CROSS SECTION	DIMENSIONS	CROSS-SECTION MARKINGS	STRIPPING-LENGTH		
OBSOLETE	HSM.Sti.C.Au	10.0mm <sup>2</sup>	10	4.35	5.9	8	12
OBSOLETE	HSM.Sti.C.Au	6.0mm <sup>2</sup>	6.0	3.5	4.9	7	12
OBSOLETE	HSM.Sti.C.Au	4.0mm <sup>2</sup>	4.0	2.85	3.9	6	12
OBSOLETE	HSM.Sti.C.Au	2.5mm <sup>2</sup>	2.5	2.2	3.2	5	12
OBSOLETE	HSM.Sti.C.Au	1.5mm <sup>2</sup>	1.5	1.8	3.0	4	12
OBSOLETE	HSM.Sti.C.Au	0.75mm <sup>2</sup>	0.75-1.0	1.45	2.6	3	12
	HSM.Sti.C.Ag	10.0mm <sup>2</sup>	10	4.35	5.9	8	12
	HSM.Sti.C.Ag	6.0mm <sup>2</sup>	6.0	3.5	4.9	7	12
	HSM.Sti.C.Ag	4.0mm <sup>2</sup>	4.0	2.85	3.9	6	12
	HSM.Sti.C.Ag	2.5mm <sup>2</sup>	2.5	2.2	3.2	5	12
	HSM.Sti.C.Ag	1.5mm <sup>2</sup>	1.5	1.8	3.0	4	12
	HSM.Sti.C.Ag	0.75mm <sup>2</sup>	0.75-1.0	1.45	2.6	3	12
			[MM <sup>2</sup> ]	"A"	"B"	CROSS-SECTION MARKINGS	[mm]

PARTS LIST

THIS DRAWING IS A CONTROLLED DOCUMENT.		DWN V.GLUMM 10MAR2010	TE Connectivity	
DIMENSIONS: mm		CHK H.BRAUN 10MAR2010		
TOLERANCES UNLESS OTHERWISE SPECIFIED:		APVD T.SCHNURPFIL 10MAR2010	NAME PIN CONTACT SERIES HSM	
0 PLC ± 1 PLC ± 2 PLC ± 3 PLC ± 4 PLC ± ANGLES ±0.5°		PRODUCT SPEC	SIZE A3 CAGE CODE 00779 DRAWING NO C=1105250 RESTRICTED TO -	
MATERIAL 1		APPLICATION SPEC	SCALE 5:1 SHEET 1 OF 1 REV A4	
FINISH 2 3		WEIGHT	CUSTOMER DRAWING	

