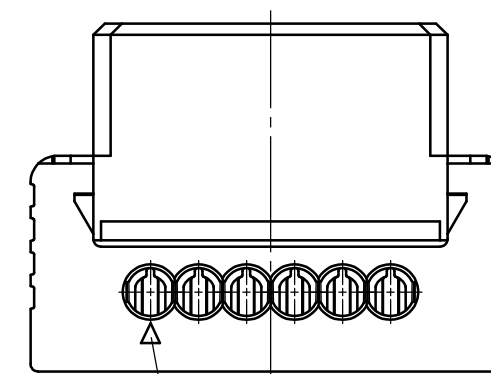
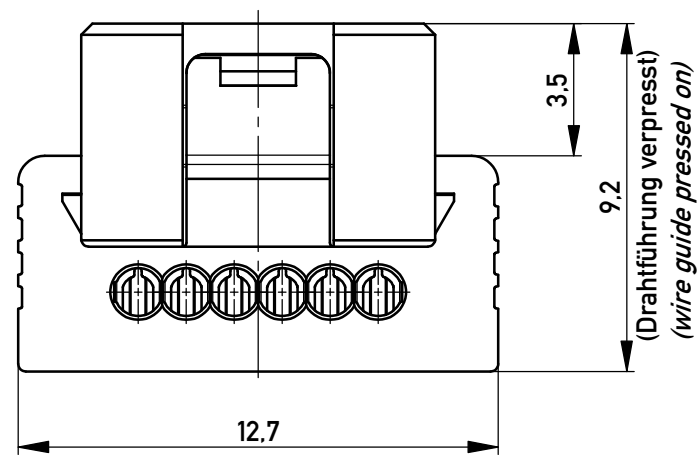
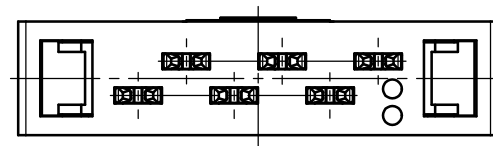
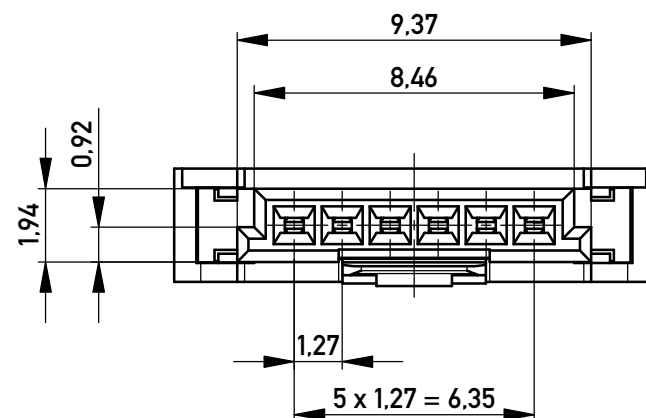


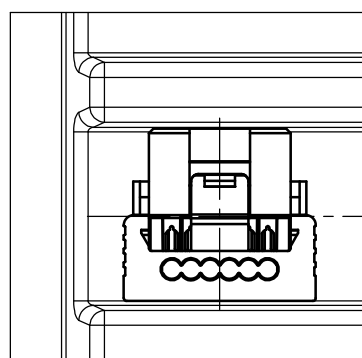
Kabelführung: rot
cable guide: red



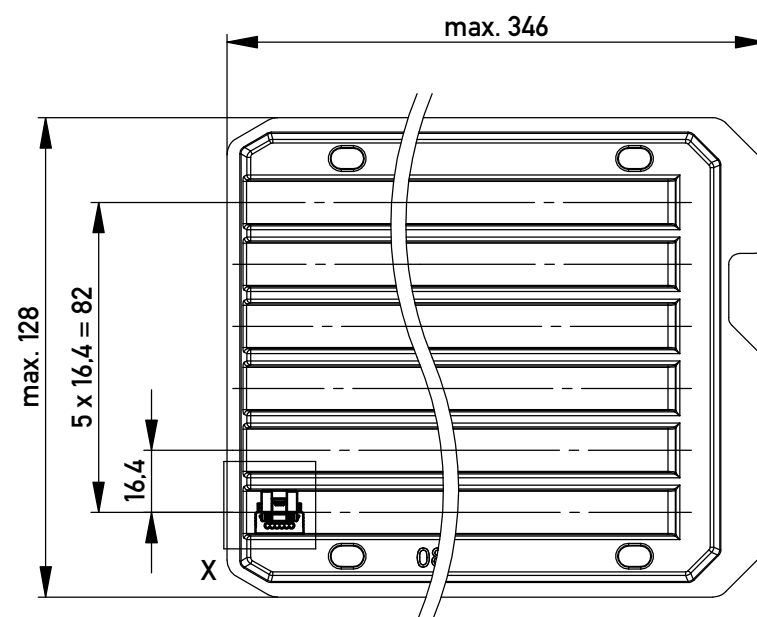
Kontaktbezeichnung
contact marking



Einzelheit X - detail X
M 2:1



Verpackt in Tray - tray packaging
Verpackungseinheit 144 Stück - packaging unit 144 pcs



* Federkontakt AWG 22 - Female Contact AWG 22
Kabelführung $\varnothing 1.27$ - cable guide $\varnothing 1.27$

Copyright by ERNI GmbH
Proprietary notice pursuant to ISO 16016 to be observed.

Information:	Tolerances	 All Dimensions in mm	für Einzeladern AWG 22, nur mit Hilfsmittel lösbar for single conductors AWG 22, only with tool unlockable	
			Scale	5:1
All rights reserved. Only for Information. To ensure that this is the latest version of this drawing, please contact one of the ERNI companies before using.	Subject to modification without prior notice. Drawing will not be updated.	Designation		
		1,27 SRC P SKV, 6-polig d=1,27 1,27 SRC P IDC, 6-pin d=1,27		
Index	Date	www.ERNI.com	394909 I A3	
		Class	SRCP	