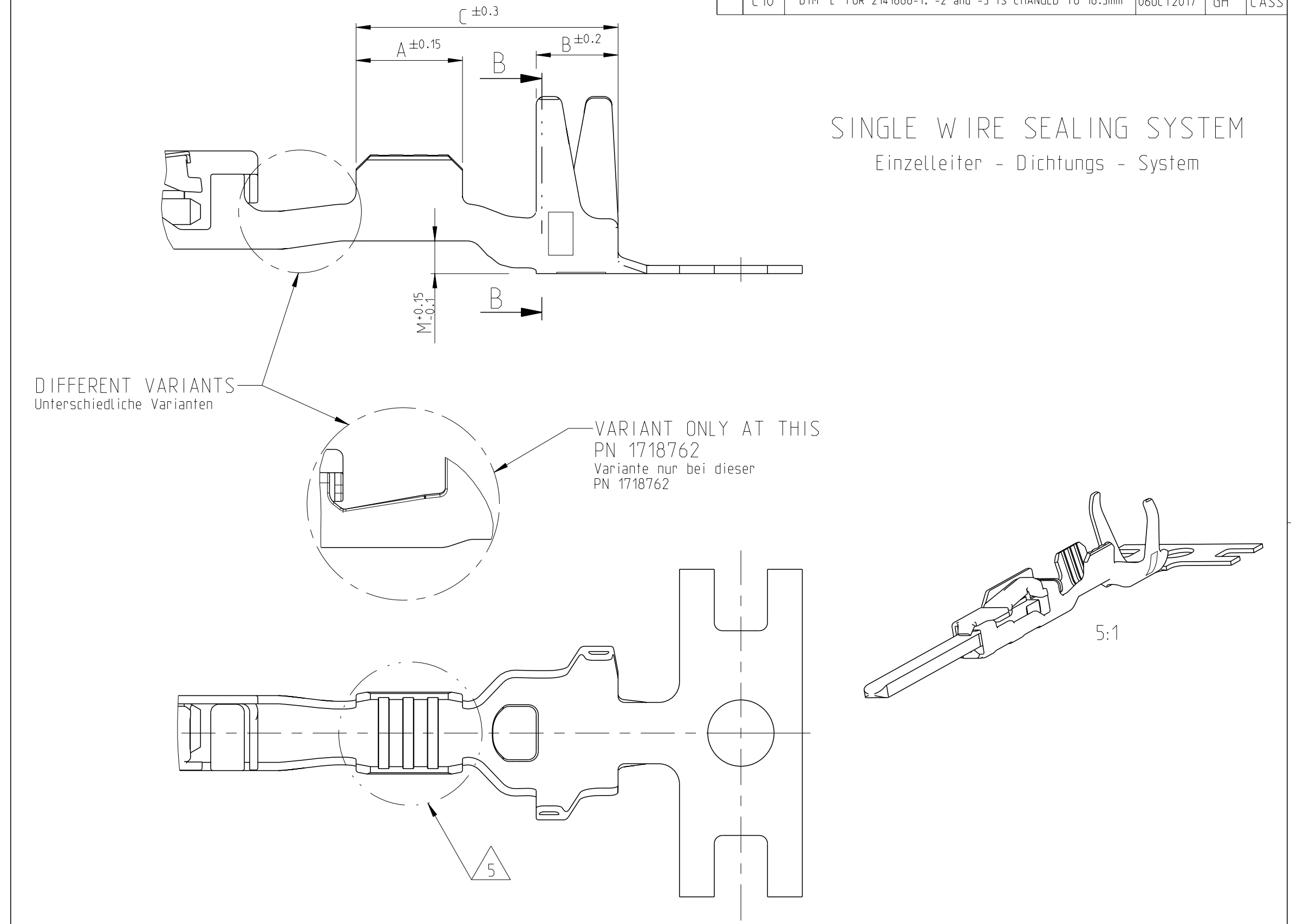
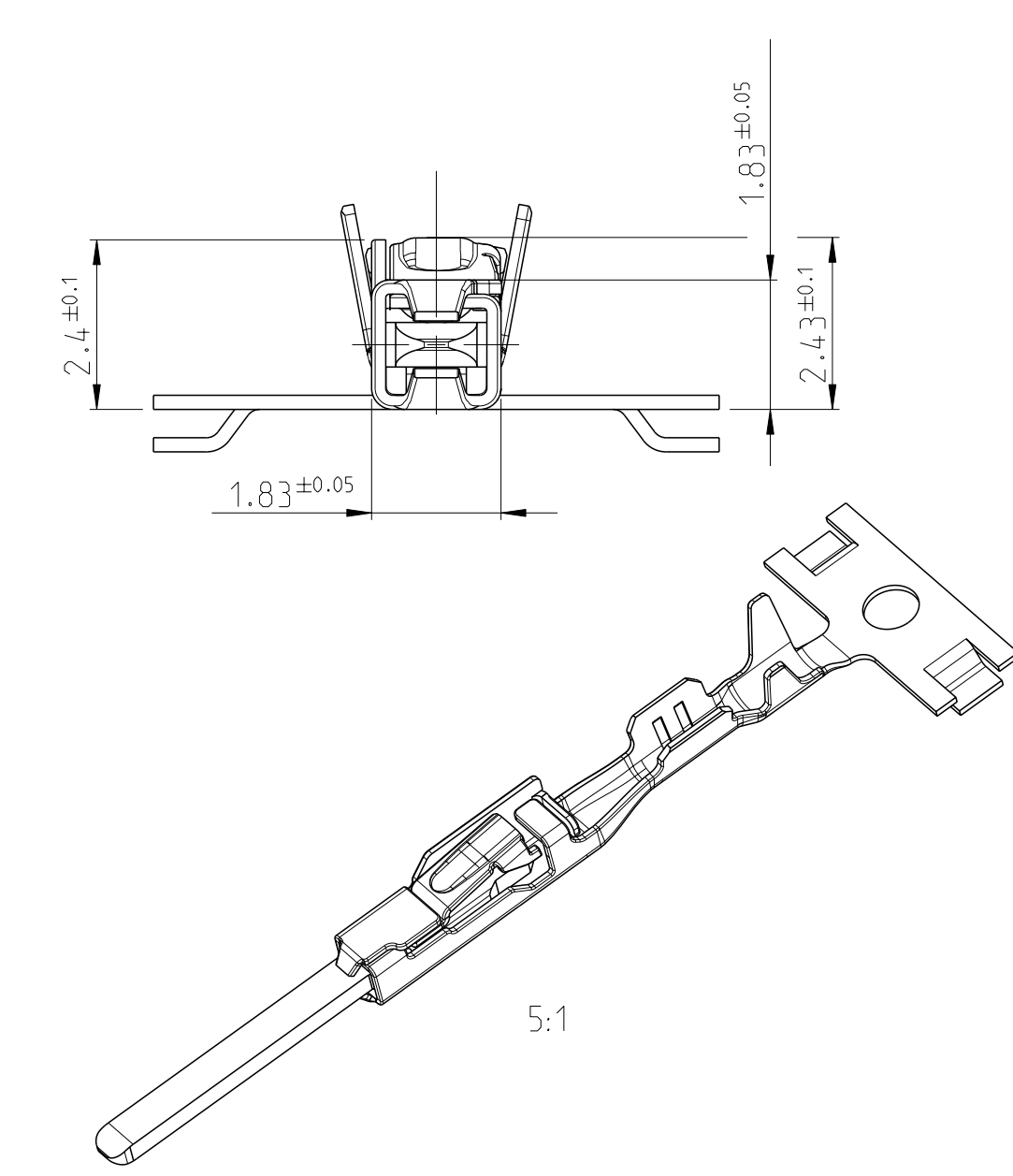
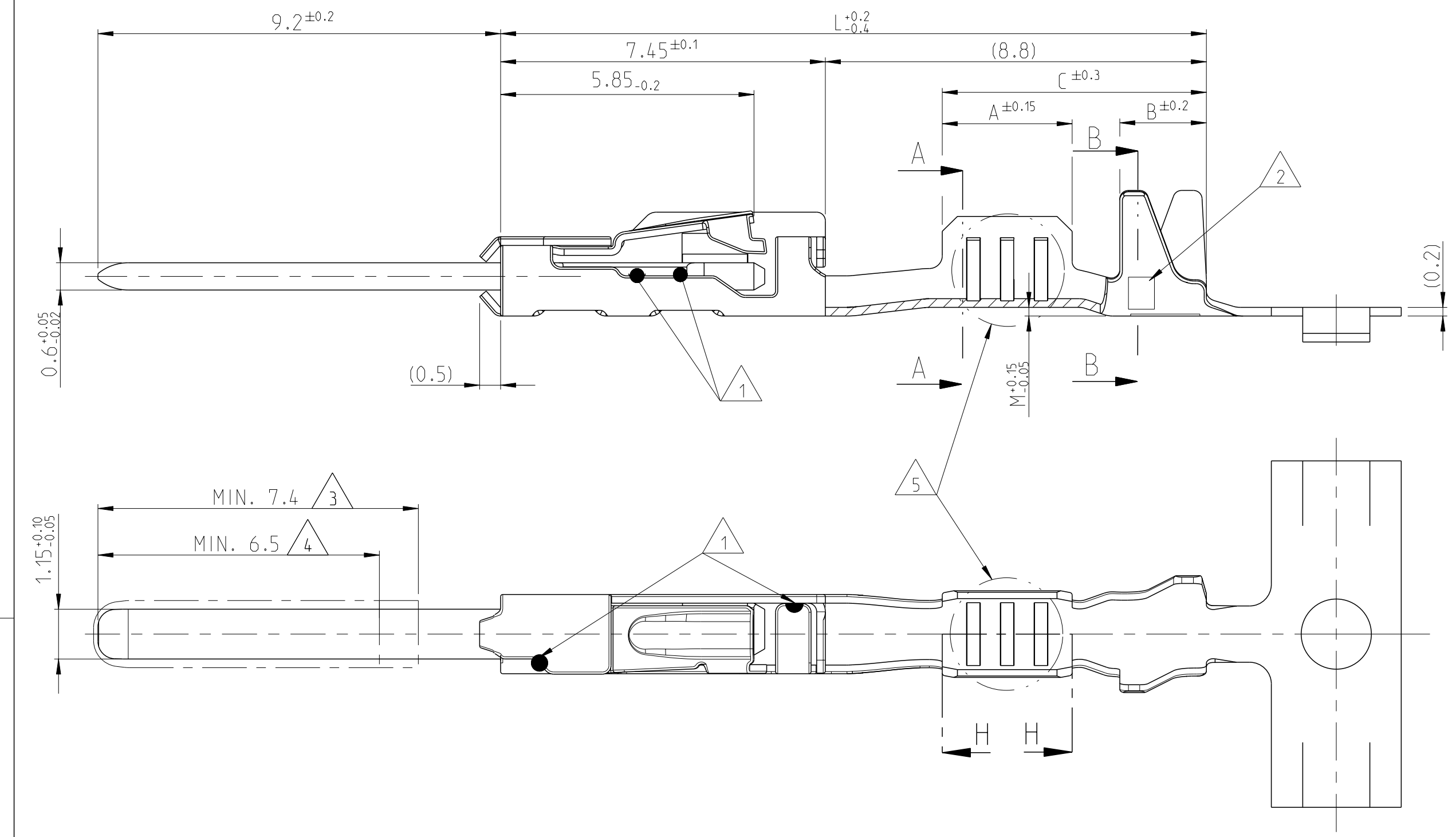


THE DRAWING SHOWS THE 2-DIMENSIONAL REFERENCE COMPONENT CONDITION OF THE ASSEMBLY TO IDENTIFY AND SPECIFY THE NECESSARY DIMENSIONS ONLY. THE DELIVERED PARTS MAY DEVIATE FROM THE DRAWING REGARDING THE ORIENTATION AND POSITION OF EACH COMPONENT (e.g. SLACK CABLE), SO FAR THE FUNCTIONALITY IS NOT CONCERNED.

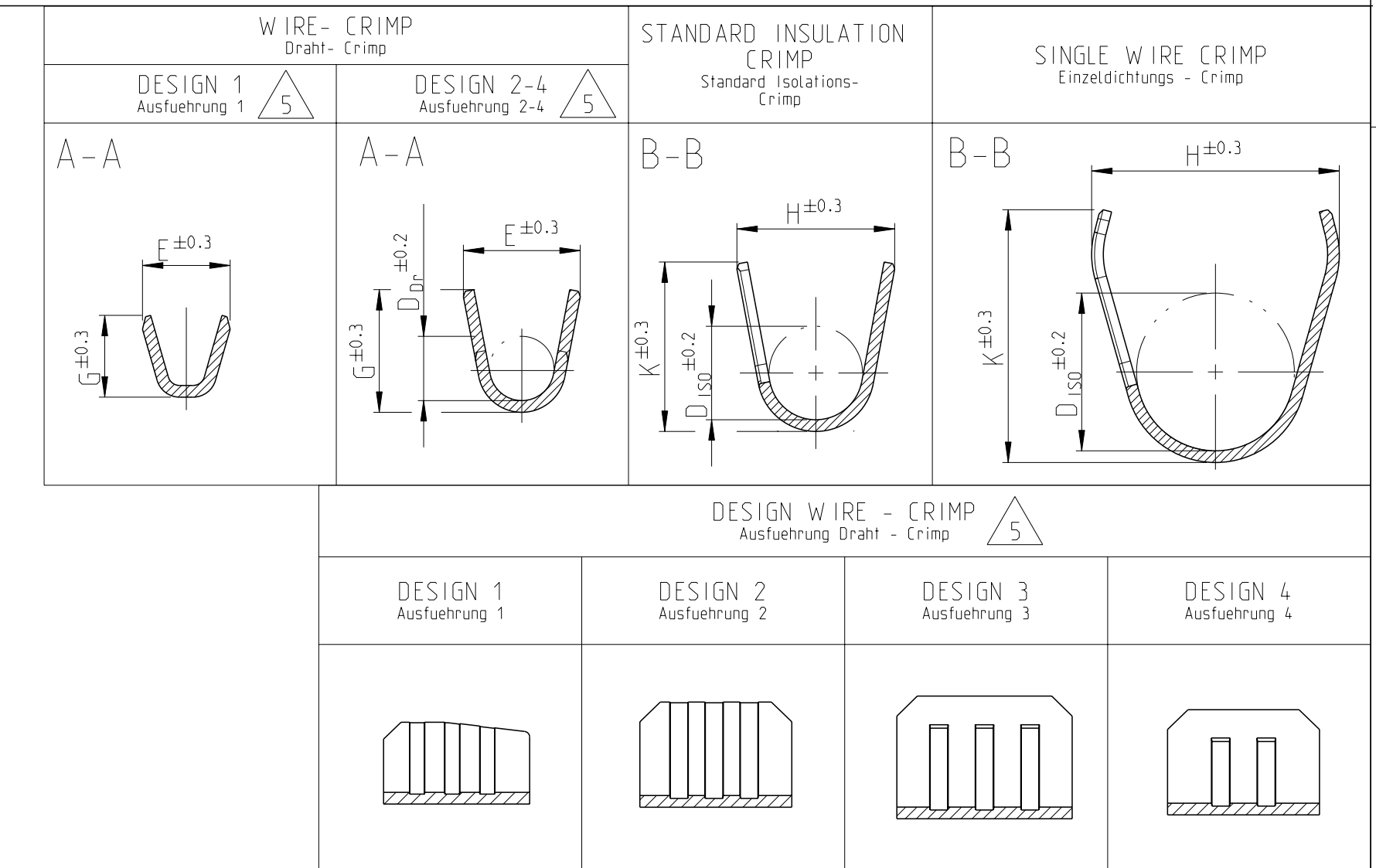
DIE ZEICHNUNG ZEIGT DEN 2-DIMENSIONALEN IDEALZUSTAND DES ZUSAMMENBAUTEILS BEZÜGLICH DER KOMPONENTEN ZUR IDENTIFIKATION UND SPEZIFIKATION DER NOTWENDIGEN DIMENSIONEN. HINSICHTLICH DER ORIENTIERUNG UND DER LAGE DER KOMPONENTEN (Z.B. BIEGESCHLAPPE KABEL) KÖNNEN DIE DELIEFERTEN TEILE VON DER ZEICHNUNG ABWEICHEN, SOFERN DIE FUNKTIONALITÄT NICHT BEEINTRÄCHTIGT IST.

LOC		DIST		REVISIONS			
AI	-	P	CTH	DESCRIPTION	DATE	OWN	APVD
PROJECT No.	C7	ECR-13-002334, 2141864 + 2141868	ACTIVATED	06FEB2013	SG	RM	
EGAUT Q2021	C8	NOTE 6 NEW, REV. ADAPT. PN 1718762-1/-2/-3		09JUL2015	Mth	CASS	
	C9	ECR-15-012070		22SEP2015	JBH	BK	
	C10	DIM 'L' FOR 2141868-1, -2 and -3 IS CHANGED TO 16.3mm		06OCT2017	GH	CASS	



INSULATION CRIMP FOR Isolationscrimp	ORDER NO. Bestell-Nr. STRIP Bandware	REV	WIRE RANGE Drahtgrößenbereich (mm²)	INSULATION-Ø Isolations-Ø (mm)	BODY Kontaktkörper	TAB Flachstecker	BODY Kontaktkörper	SPRING Kontaktfeder	DESIGN WIRE-CRIMP Ausführung Draht - Crimp	LENGTH Laenge	WIRE CRIMP Drahtcrimp	INSULATION CRIMP Isolations Crimp	DIMENSION Messung (mm)	MATERIAL Werkstoff		SURFACE Oberfläche		
														CuNiSi	CuSn0.15/0.2	TIN PLATED verzinkt	CONTACT AREA TAB	
SINGLE WIRE SEALING SYSTEM / Einzeldichtungssystem SEE APPLICATION SPECIFICATION / siehe Verarbeitungsspezifikation	1718762-3	B	1.0 - 1.5	1.9 - 2.4	CuNiSi	CuSn0.15/0.2	TIN PLATED verzinkt	2	4	A = 3.0 B = 2.0 C = 6.8	E = 2.6 G = 2.9 D _{br} = 1.35	H = 4.4 K = 4.3 D ₁₅₀ = 2.9 M = 0.8	16.8	3	TIN PLATED verzinkt	CONTACT AREA TAB MIN. 0.8µm SELECTIV GOLD OVER Ni	CONTACT AREA TAB MIN. 2.0µm SELECTIV SILVER	
	1718762-2	C																
	1718762-1	B																
	FLR CABLE / Leitung SEE APPLICATION SPECIFICATION / siehe Verarbeitungsspezifikation	1718760-3	A	0.5 - 0.75	1.4 - 1.9	CuNiSi	CuSn0.15/0.2	TIN PLATED verzinkt	2	4	A = 2.6 B = 2.0 C = 6.4	E = 2.0 G = 2.1 D _{br} = 1.1	H = 4.2 K = 4.3 D ₁₅₀ = 2.7 M = 0.8	16.3	3	TIN PLATED verzinkt	CONTACT AREA TAB MIN. 0.8µm SELECTIV GOLD OVER Ni	CONTACT AREA TAB MIN. 2.0µm SELECTIV SILVER
		1718760-2	B															
		1718760-1	A															
		1718758-3	A	0.25 - 0.35	1.1 - 1.75	CuNiSi	CuSn0.15/0.2	TIN PLATED verzinkt	2	4	A = 2.6 B = 2.0 C = 6.4	E = 1.8 G = 1.8 D _{br} = 0.8	H = 4.2 K = 4.3 D ₁₅₀ = 2.6 M = 0.8	16.3	3	TIN PLATED verzinkt	CONTACT AREA TAB MIN. 0.8µm SELECTIV GOLD OVER Ni	CONTACT AREA TAB MIN. 2.0µm SELECTIV SILVER
		1718758-2	B															
		1718758-1	A															
	2141868-3	A	0.13 - 0.22	2.6	CuNiSi	CuSn0.15/0.2	TIN PLATED verzinkt	1	4	A = 2.5 B = 1.9 C = 6.2	E = 1.5 G = 1.4	H = 4.0 K = 4.1 D ₁₅₀ = 2.6 M = 0.6	16.3	3	TIN PLATED verzinkt	CONTACT AREA TAB MIN. 0.8µm SELECTIV GOLD OVER Ni	CONTACT AREA TAB MIN. 2.0µm SELECTIV SILVER	
	2141868-2	A																
	2141868-1	A																
INSULATION CRIMP FOR Isolationscrimp	1418762-3	A	1.0 - 1.5	1.9 - 2.4	CuNiSi	CuSn0.15/0.2	TIN PLATED verzinkt	3	4	A = 3.0 B = 2.0 C = 6.1	E = 2.6 G = 2.9 D _{br} = 1.35	H = 3.7 K = 3.9 D ₁₅₀ = 2.1 M = 0.2	16.3	3	TIN PLATED verzinkt	CONTACT AREA TAB MIN. 0.8µm SELECTIV GOLD OVER Ni	CONTACT AREA TAB MIN. 2.0µm SELECTIV SILVER	
	1418762-2	B																
	1418762-1	A																
	5-1418760-3	A	0.5 - 0.75	1.4 - 1.9	CuNiSi	CuSn0.15/0.2	TIN PLATED verzinkt	2	4	A = 3.0 B = 2.0 C = 6.1	E = 2.0 G = 2.1 D _{br} = 1.1	H = 2.7 K = 2.9 D ₁₅₀ = 1.6 M = 0.2	16.3	3	TIN PLATED verzinkt	CONTACT AREA TAB MIN. 0.8µm SELECTIV GOLD OVER Ni	CONTACT AREA TAB MIN. 2.0µm SELECTIV SILVER	
	5-1418760-2	A																
	5-1418760-1	A																
	1418760-3	B	0.5 - 0.75	1.4 - 1.9	CuNiSi	CuSn0.15/0.2	TIN PLATED verzinkt	3	4	A = 3.0 B = 2.0 C = 6.1	E = 2.0 G = 2.1 D _{br} = 1.1	H = 2.7 K = 2.9 D ₁₅₀ = 1.6 M = 0.2	16.3	3	TIN PLATED verzinkt	CONTACT AREA TAB MIN. 0.8µm SELECTIV GOLD OVER Ni	CONTACT AREA TAB MIN. 2.0µm SELECTIV SILVER	
	1418760-2	C																
	1418760-1	B																
	5-1418758-3	A	0.25 - 0.35	1.1 - 1.75	CuNiSi	CuSn0.15/0.2	TIN PLATED verzinkt	2	4	A = 2.6 B = 2.0 C = 5.7	E = 1.8 G = 1.8 D _{br} = 0.8	H = 2.6 K = 2.6 D ₁₅₀ = 1.4 M = 0.2	16.3	3	TIN PLATED verzinkt	CONTACT AREA TAB MIN. 0.8µm SELECTIV GOLD OVER Ni	CONTACT AREA TAB MIN. 2.0µm SELECTIV SILVER	
	5-1418758-2	B																
	5-1418758-1	A																
1418758-3	A	0.25 - 0.35	1.1 - 1.75	CuNiSi	CuSn0.15/0.2	TIN PLATED verzinkt	4	4	A = 2.6 B = 2.0 C = 5.7	E = 1.8 G = 1.8 D _{br} = 0.8	H = 2.6 K = 2.6 D ₁₅₀ = 1.4 M = 0.2	16.3	3	TIN PLATED verzinkt	CONTACT AREA TAB MIN. 0.8µm SELECTIV GOLD OVER Ni	CONTACT AREA TAB MIN. 2.0µm SELECTIV SILVER		
1418758-2	B																	
1418758-1	A																	
2141864-3	A	0.13 - 0.22	0.85 - 1.2	CuNiSi	CuSn0.15/0.2	TIN PLATED verzinkt	1	4	A = 2.5 B = 1.7 C = 5.4	E = 1.5 G = 1.4	H = 2.0 K = 1.9 D ₁₅₀ = 1.1	15.3	3	TIN PLATED verzinkt	CONTACT AREA TAB MIN. 0.8µm SELECTIV GOLD OVER Ni	CONTACT AREA TAB MIN. 2.0µm SELECTIV SILVER		
2141864-2	A																	
2141864-1	A																	

C10



- 1 LASER WELDED Lasergeschweisst
- 2 REVISION STATUS Revisionsstand
- 3 CONTACT AREA TAB MIN. 0.8µm SELECTIV GOLD OVER Ni Kontaktzone selectiv vergoldet min. 0.8µm ueber Ni
- 4 CONTACT AREA TAB MIN. 2.0µm SELECTIV SILVER Kontaktzone selectiv versilbert min. 2.0µm
- 5 DIFFERENT FORM OF THE SERRATIONS AND WIRE-CRIMP POSSIBLE unterschiedliche Ausfuehrung der Ritzen und des Draht-Crimps moeglich
- 6 RELEASED WIRE, SEE APPLICATION SPEC. TE 114-18464 Freigegebene Leitung, siehe APPLICATION SPEC. TE 114-18464

PRODUCT CHARACTERISTICS ACC. QMP 1.12 BESONDERE MERKMALE NACH QMP 1.12	TOLERANCING ISO 8015 TOLERIERUNG ISO 8015	OWN R. Meier CHK U. Muenk	10MAR03 30JUL03		TE Connectivity
THIS DRAWING IS A CONTROLLED DOCUMENT. DIESER ZEICHNUNGSDOKUMENT IST EIN KONTROLLIERTES DOKUMENT.	DIMENSIONS: mm	TOLERANCES UNLESS OTHERWISE SPECIFIED:	APVD -		NAME
MATERIAL SEE TABLE siehe Tabelle	PLC ±0.2mm PLC ±0.2mm PLC ±0.2mm ANGLES ±°	WEIGHT -	Customer Drawing	SCALE 10:1	SHEET 1 of 1
REV	REV	REV	REV	REV	REV