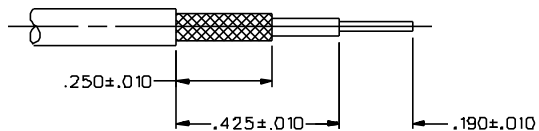
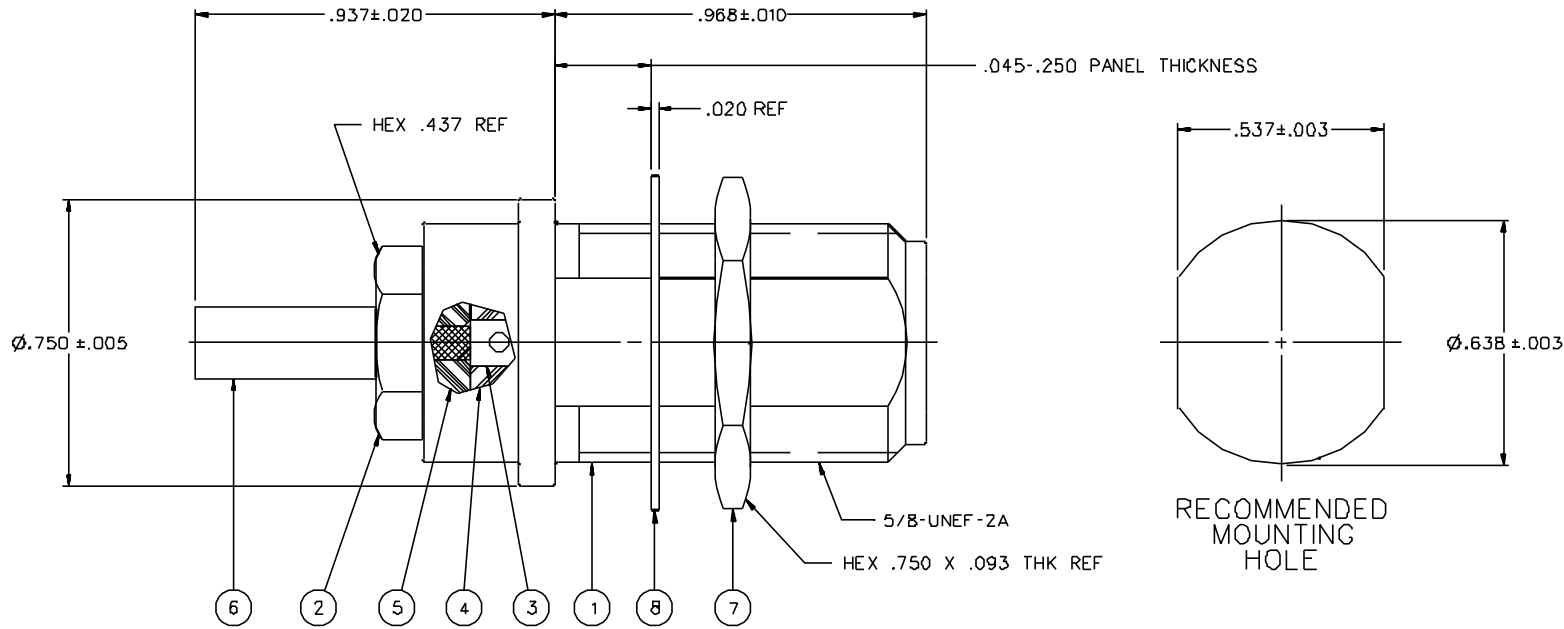
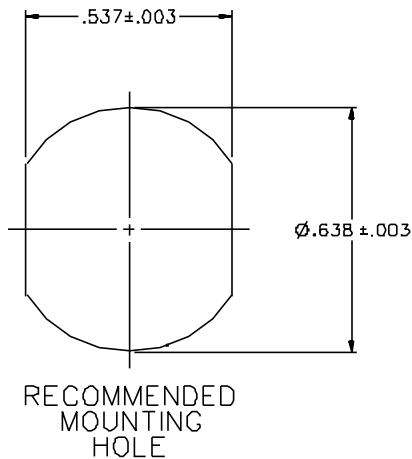


PART NUMBER	ITEM ① BODY	ITEM ② REAR BODY	ITEM ③ CONTACT	ITEM ④ INSULATOR	ITEM ⑤ INSULATOR	ITEM ⑥ CRIMP SLEEVE	ITEM ⑦ NUT	ITEM ⑧ LOCKWASHER
134-D304-406	ZINC NICKEL PL .00015 MIN OVER COPPER PL .0005 MIN	BRASS NICKEL PL .0001 MIN OVER COPPER PL .0005 MIN	BERYLLIUM COPPER GOLD PL .00001 MIN OVER NICKEL PL .00005 MIN	TEFLON	TEFLON	COPPER NICKEL PL .0001 MIN OVER COPPER PL .00005 MIN	BRASS NICKEL PL .0001 MIN	STEEL ZINC PL .0001 MIN
134-D304-407	ZINC NICKEL PL .00015 MIN OVER COPPER PL .0005 MIN	BRASS NICKEL PL .0001 MIN OVER COPPER PL .0005 MIN	BERYLLIUM COPPER GOLD PL .00001 MIN OVER NICKEL PL .00005 MIN	TEFLON	TEFLON	COPPER NICKEL PL .0001 MIN OVER COPPER PL .00005 MIN		

DRAWING NO. C - 134-0304-401/410	
0	REVISIONS
ENGINEERING RELEASE	
1	11-29-94 R H B A 1-3-95 ECN 42850
VERSION UPDATE	
2	5-2-96 R H B A ECN 44026
CHANGED: ITEM 8 ZINC PL WAS NICKEL PL	
* REVISION NUMBER FOLLOWED BY AN ALPHA *	
* CHARACTER INDICATES DRAWING CLASS *	
* DATE OR PART NUMBER ADDITION ONLY *	
2d	2-5-98 R H B A ECN 45200



CABLE STRIP DIMENSIONS



RECOMMENDED MOUNTING HOLE

NOTES:

1. SPECIFICATIONS:

1.1 MECHANICAL:

1.1.1 CABLE ACCEPTABILITY: DOUBLE SHIELD RG 316, DOUBLE SHIELD RG 188

1.2 ELECTRICAL:

- 1.2.1 IMPEDANCE: 50 OHMS NOMINAL
- 1.2.2 DIELECTRIC WITHSTANDING VOLTAGE: 250D VRMS FOR ONE MINUTE
- 1.2.3 WORKING VOLTAGE: 1000 WVRMS
- 1.2.4 FREQUENCY RANGE: 0-11 GHZ

CUSTOMER DRAWING

THIS DRAWING TO BE INTERPRETED PER ANSII Y14.5M - 1982
"μSTATION"

COMPANY CONFIDENTIAL

TOLERANCE UNLESS OTHERWISE SPECIFIED	DRAWN BY JRK	DATE 8-4-94	 Cinch Connectivity Solutions 299 Johnson Ave. Ste. 100 Waseca, MN 56093 1-800-247-8256
DECIMALS .XX	CHECKED BY JRK	DATE 11-30-94	
MM .XXX	APPROVED BY TAK	DATE 12-20-94	TITLE JACK ASSEMBLY, STRAIGHT CABLED BULKHEAD, TYPE 'N', DOUBLE BRAID RG 316
FINISH	APPROVED BY RJB	DATE 12-22-94	CODE NO.
	RELEASE DATE	1-3-95	DRAWING NO. C - 134-0304-401/410
			SCALE 4:1 U/N INCH SHEET 2 OF 2