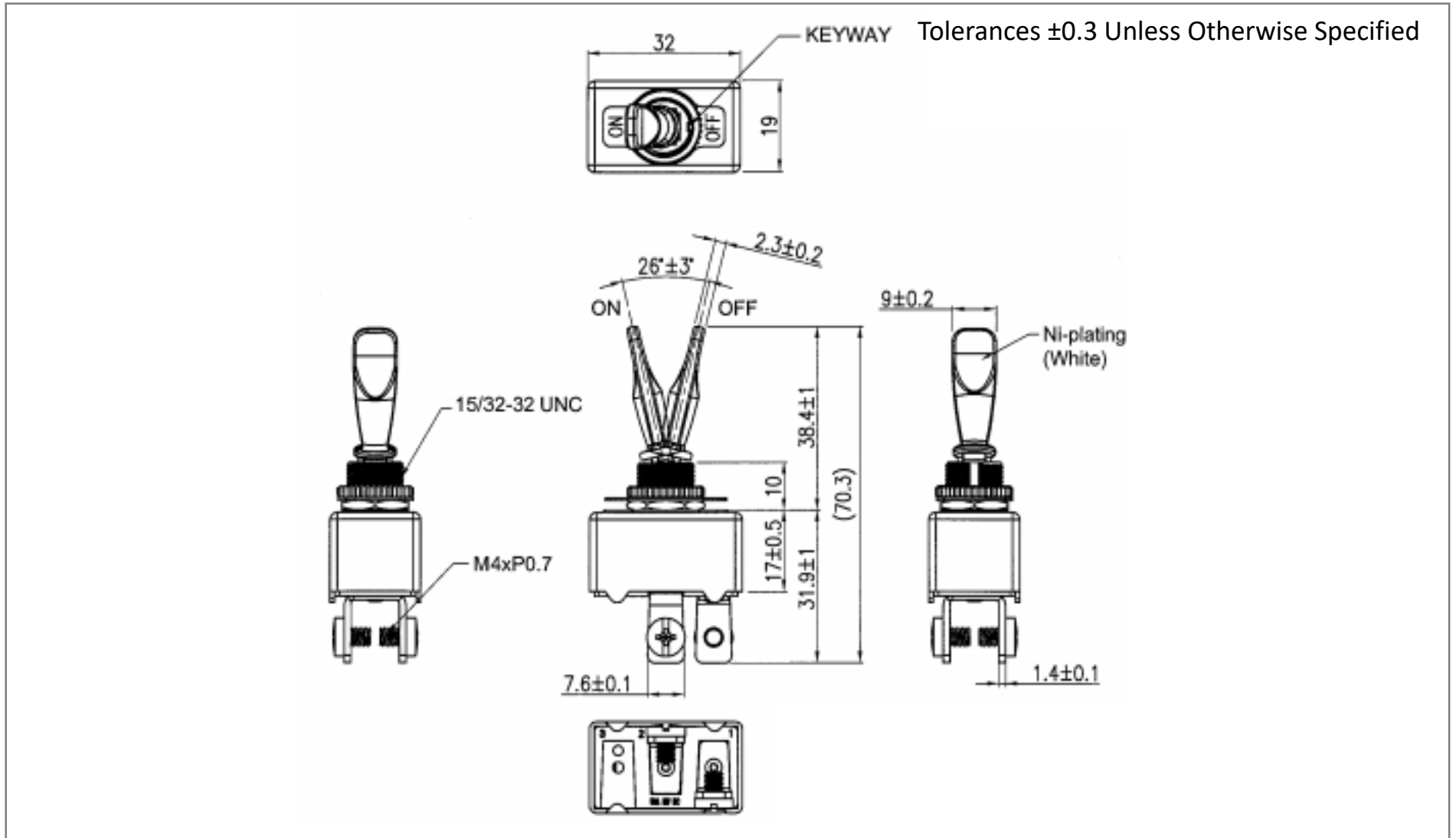
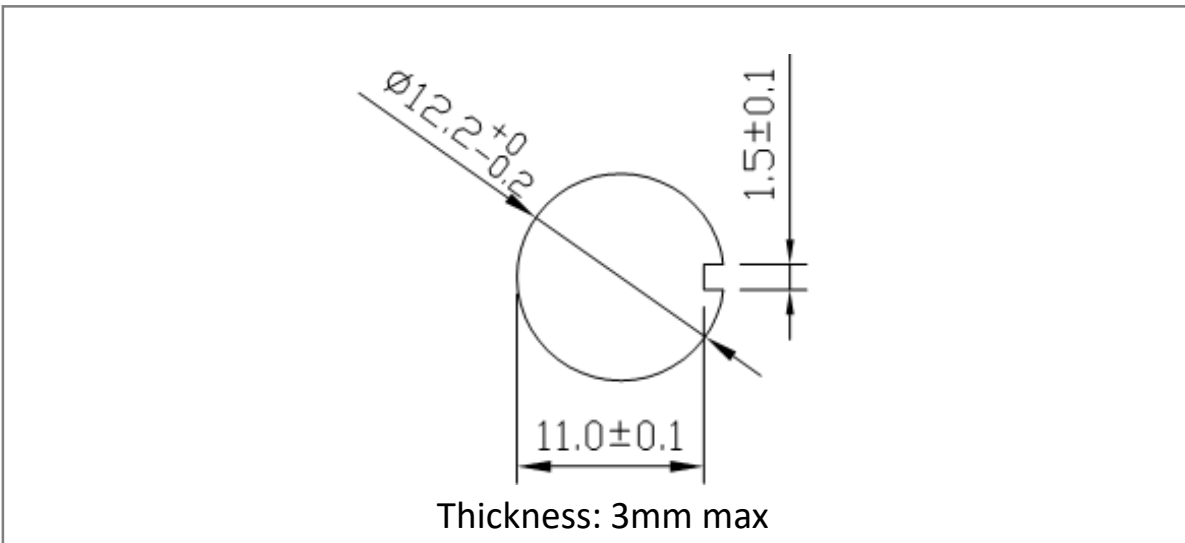


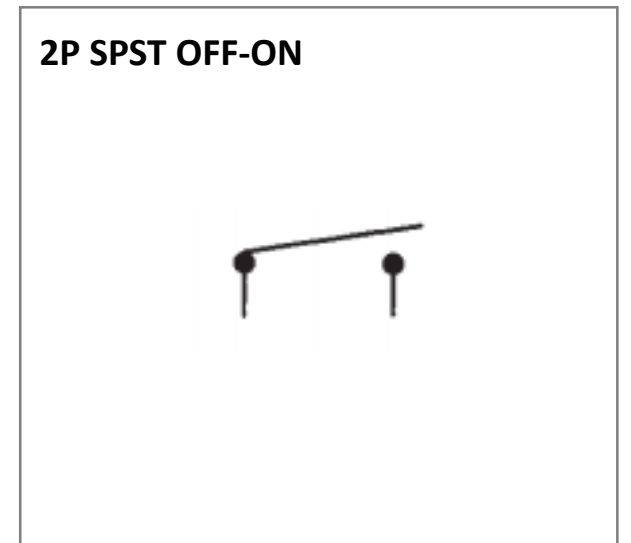
Mechanical Dimensions (mm)



Mounting Hole



Circuit Diagram



Electrical Specifications

Rating	50A 12V DC
Contact Resistance	50m ohm Max.
Insulation Resistance	DC 500V 100M ohm Min.
Dielectric Strength	AC 500V 1 minute
Operation Temperature	-20°C~85°C

Material Specifications

Frame	Zn alloy
Actuator	Ni-plating, Zn alloy