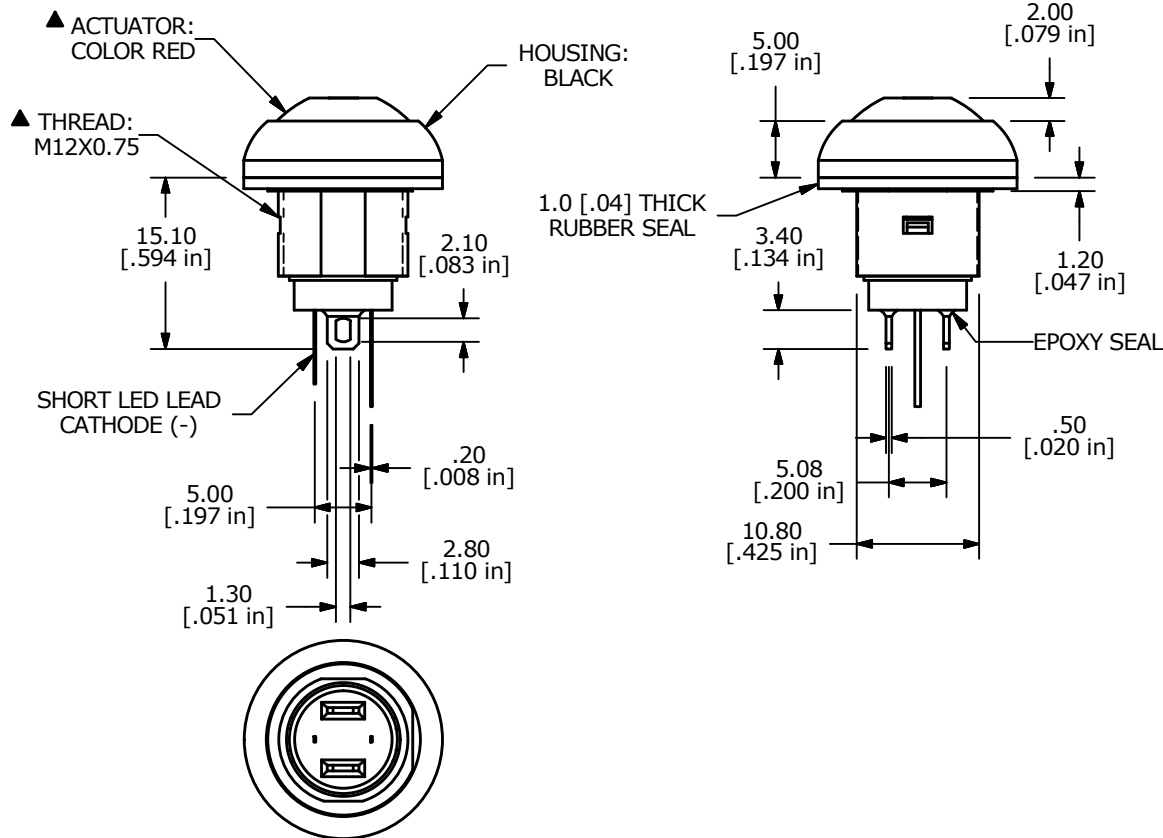


LED PARAMETER	FORWARD CURRENT	FORWARD VOLTAGE @ 20mA	LUMINOUS INTENSITY
UNITS	mA	V	mcd
RED	20	2.0 - 2.5	700

- NOTE:**
- ALL DIMENSIONS IN MM [INCH]
 - GENERAL TOLERANCE: X.X=±0.4
X.XX=±0.25
 - TERMINAL NUMBERS FOR REF ONLY
 - CIRCUIT: SPST OFF-MOMENTARY ON
 - CONTACT MATERIAL: Gold over SILVER
 - 6. RATING: 125mA @ 125 VAC
100mA @ 50 VDC**
 - ELECTRIC LIFE: 500,000 CYCLES AT FULL LOAD
 - CONTACT RESISTANCE: 50 milli-OHM max. (INITIAL)
 - INSULATION RESISTANCE: 1,000 MEGA-OHM min. @ 500VDC.
 - DIELECTRIC STRENGTH: 1,000 VAC rms.
 - OPERATING FORCE: 350 gf +/- 150 gf
 - OPERATING TEMPERATURE: -30°C TO +85°C.
 - CONTACT BOUNCE: 10ms MAX.
 - 14. TRAVEL: 1.5mm**
 - PANEL THICKNESS RANGE: 1.5 - 4.0 mm.
 - ▲ DENOTES CRITICAL PARAMETER.
 - 2011/65/EU (ROHS) COMPLIANT
 - MAX MOUNTING TORQUE: 1.5 Nm APPLIED TO THE NUT
 - 19. HARDWARE INCLUDED:**
 - T081101 LOCK WASHER (1)
 - T081102 HEX NUT (1)
 - T081100 RUBBER SEAL (1)
 - SEAL RATING: IP67 AT THE FRONT PANEL



REV	PCR NO	DESCRIPTION	DATE	BY
E	22441	ADDED BOTTOM VIEW	8/12/16	MJR
D	21594	CHANGE NOTE 20: IP67 WAS IP65	9/24/14	EBP

TITLE RP8100B2M1CEBLKREDRED				
SCALE	DATE	DR	DWG	REV
3:2	9/2/2008	BLR	ST081033	E

THE INFORMATION CONTAINED IN THIS DOCUMENT IS PROPRIETARY TO E-SWITCH AND IS NOT TO BE COPIED OR TRANSFERRED