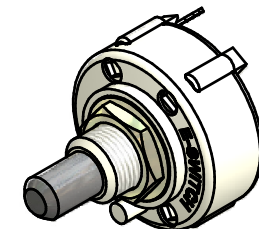
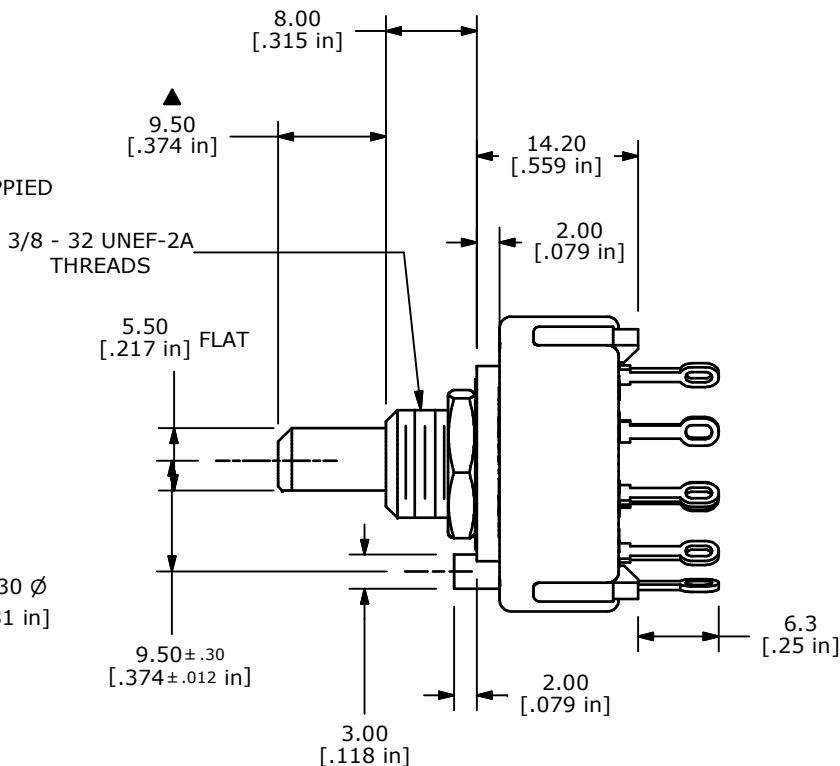
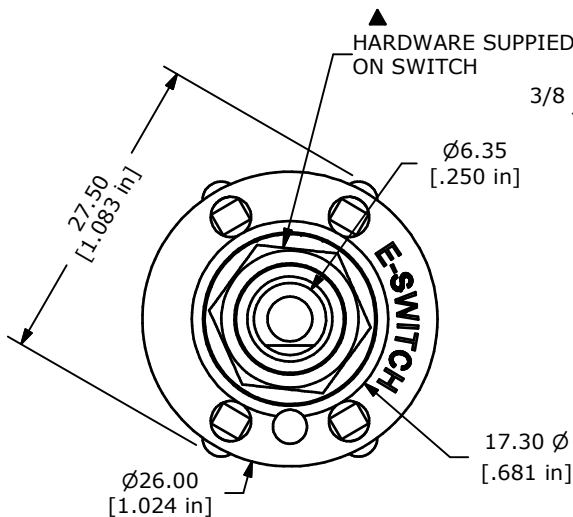
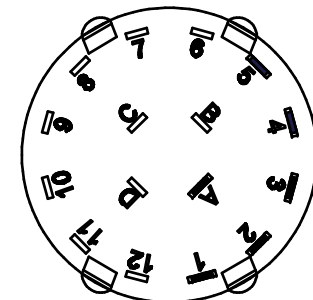


CONTACT CONFIGURATION
TIMING (BBM) NON-SHORTING



ISOMETRIC



NOTE:

1. ALL DIMENSIONS IN MM[INCH].
2. GENERAL TOLERANCE: X.X=± 0.4
X.XX=± 0.25
3. TERM. NOS. FOR REFERENCE ONLY.
- ▲4. CONTACT MATERIAL: SILVER
5. CONTACT RATING: 150MILLIAMP, 250VAC/DC
350MILLIAMP, 110VAC/DC
6. CONTACT RATING (NON-SWITCHING) 0.3A @ 125VAC
7. CONTACT RESISTANCE: 50 Mille-OHM Max.
8. ROTATIONAL TORQUE: 0.8 ± 0.3 Kg-CM
9. OPERATING TEMP: -30°C TO 85°C
- ▲10. CIRCUIT SP: 5 POSITION 30° INDEX.
11. DIELECTRIC STRENGTH: 1000V RMS MIN.@ SEA LEVEL.
12. WITHSTAND VOLTAGE: 500VAC FOR 1 MINUTE.
- ▲13 HARDWARE SUPPLIED ON SWITCH:
LOCKWASHER, HEXNUT, STOP RING
14. ▲ DENOTES CRITICAL PARAMETER.
15. 2002/95/EC (ROHS) COMPLIANT



TITLE KC15A9.501NLS

A	18615	RELEASED FOR PRODUCTION	9/3/09	BLR
REV	PCR NO	DESCRIPTION	DATE	BY

SCALE	DATE	DR	DWG	REV
1.5:1	3/19/2008	BLR	G527572	A

THE INFORMATION CONTAINED IN THIS DOCUMENT IS PROPRIETARY TO E-SWITCH AND IS NOT TO BE COPIED OR TRANSFERRED