

64-Channel Serial-to-Parallel Converter with P-Channel Open Drain Controllable Output Current

Features

- 5V CMOS Logic
- Up to -85V Output Voltage
- Output Current Source Control
- 16 MHz Equivalent Data Rate
- Latched Data Outputs
- Forward and Reverse Shifting Options (DIR pin)
- Diode to V_{DD} allows Efficient Power Recovery

Applications

- Plasma Panel Driver
- Display Driver
- Print Head Driver
- Relay Driver
- Microelectromechanical Systems Applications

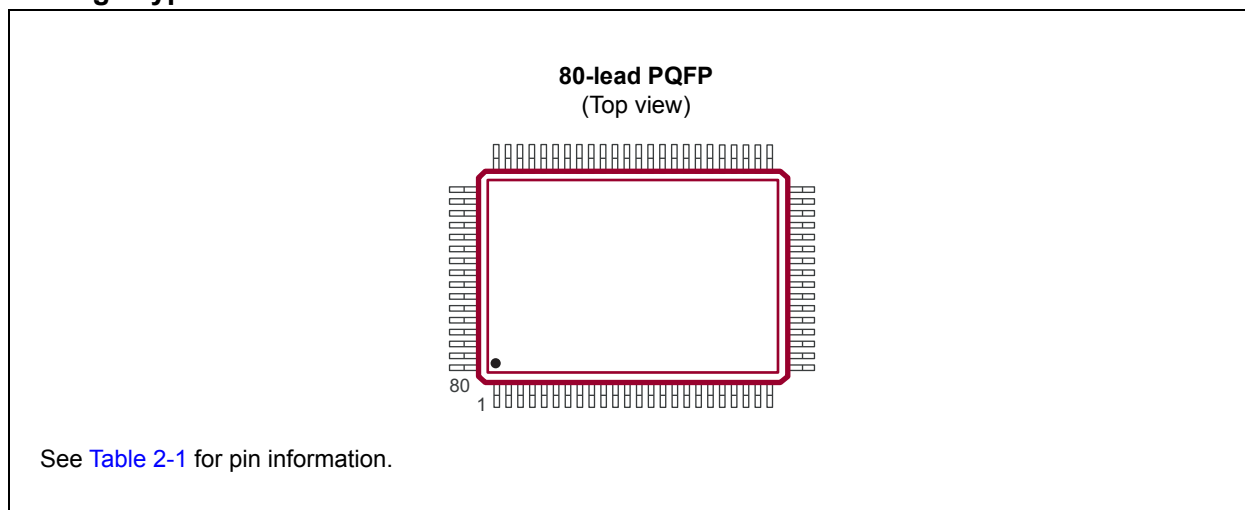
General Description

The HV57009 is a low-voltage to high-voltage serial-to-parallel converter with P-channel open drain outputs. This device has been designed as a driver for plasma panels.

The device has two parallel 32-bit Shift registers, permitting data rates twice the speed of one in a single clock cycle. There are also 64 latches and control logic to perform the blanking of the outputs. HV_{OUT1} is connected to the first stage of the first Shift register through the blanking logic. Data is shifted through the Shift registers on the logic low-to-high transition of the clock. The DIR pin causes counter-clockwise shifting when connected to V_{SS} and clockwise shifting when connected to V_{DD} . A data output buffer is provided for cascading devices. This output reflects the current status of the last bit of the Shift register, HV_{OUT64} . The operation of the Shift register is not affected by the latch enable (\overline{LE}) and the blanking (\overline{BL}) inputs. Data transfer from the Shift registers to the latches occurs when the \overline{LE} input is high. The data in the latches is stored when \overline{LE} is low.

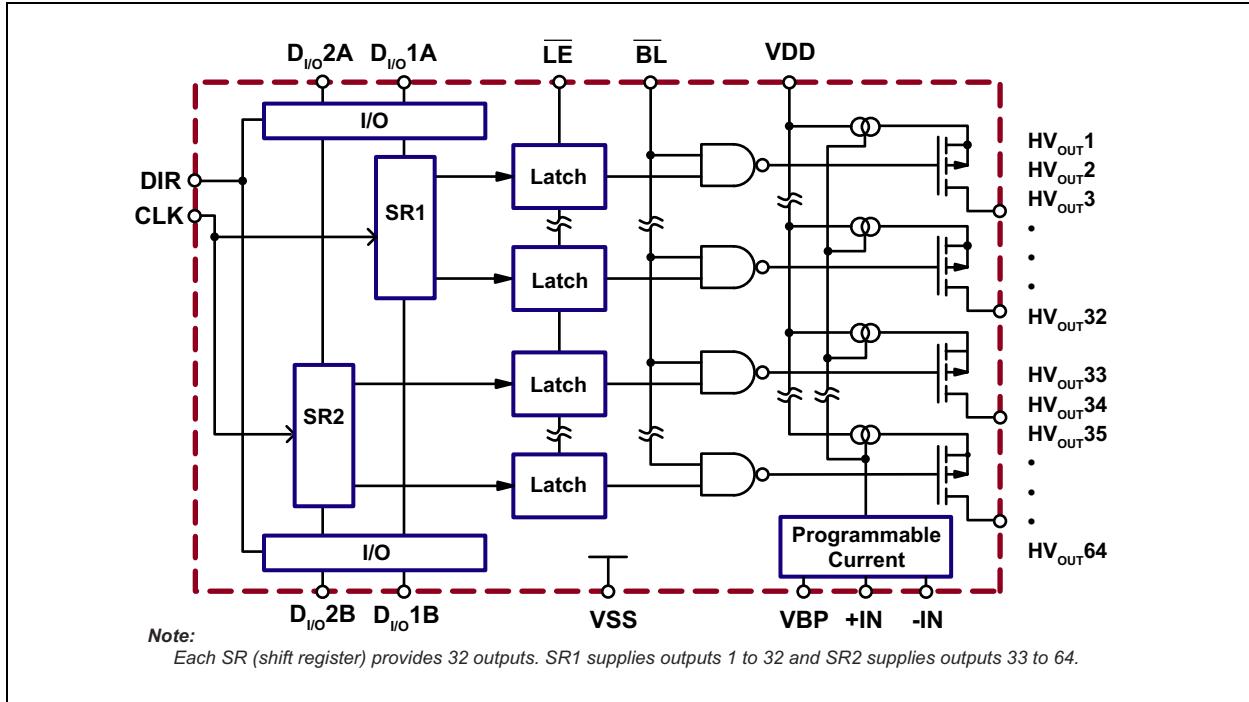
The HV57009 has 64 channels of output constant-current sourcing capability. They are adjustable from 0.1 mA to 2 mA through one external resistor or a current source.

Package Type

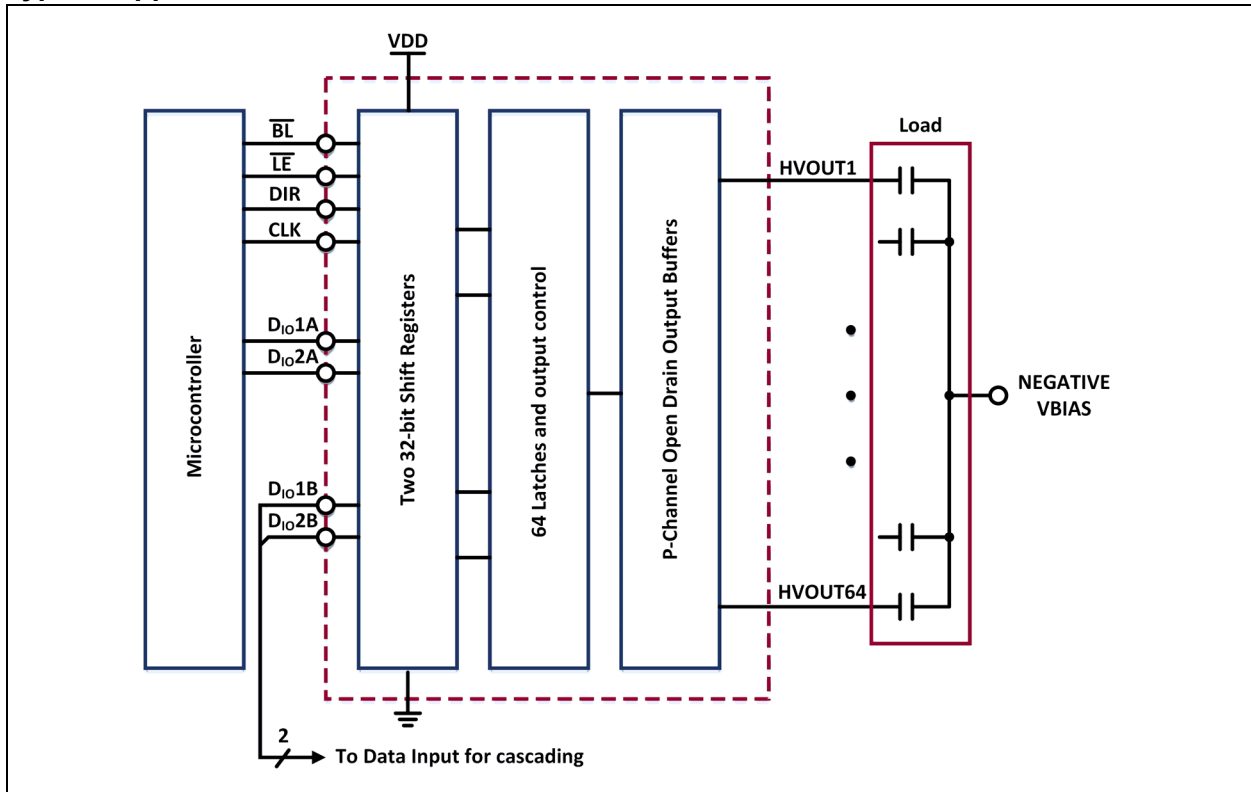


HV57009

Functional Block Diagram



Typical Application Circuit



HV57009

1.0 ELECTRICAL CHARACTERISTICS

Absolute Maximum Ratings†

Supply Voltage, V_{DD} (Note 1)	–0.5V to +7.5V
Output Voltage, V_{NN} (Note 1)	$V_{DD} + 0.5V$ to $-95V$
Logic Input Levels (Note 1)	$-0.3V$ to $V_{DD} + 0.3V$
Ground Current (Note 2)	1.5A
Operating Ambient Temperature, T_A	$-40^{\circ}C$ to $+85^{\circ}C$
Storage Temperature, T_S	$-65^{\circ}C$ to $+150^{\circ}C$
Continuous Total Power Dissipation:	
80-lead PQFP (Note 3)	1200 mW

† **Notice:** Stresses above those listed under “Absolute Maximum Ratings” may cause permanent damage to the device. This is a stress rating only, and functional operation of the device at those or any other conditions above those indicated in the operational sections of this specification is not intended. Exposure to maximum rating conditions for extended periods may affect device reliability.

Note 1: All voltages are referenced to V_{SS} .

Note 2: Duty cycle is limited by the total power dissipated in the package.

Note 3: For operations above $25^{\circ}C$ ambient, derate linearly to the maximum operating temperature at $20\text{ mW}/^{\circ}C$.

RECOMMENDED OPERATING CONDITIONS

Parameter	Sym.	Min.	Typ.	Max.	Unit	Conditions
Logic Supply Voltage	V_{DD}	4.5	—	5.5	V	
High-Voltage Output Voltage	HV_{OUT}	–85	—	V_{DD}	V	
High-Level Input Voltage	V_{IH}	$V_{DD} - 1.2V$	—	V_{DD}	V	
Low-Level Input Voltage	V_{IL}	0	—	1.2	V	
Clock Frequency per Register	f_{CLK}	DC	—	8	MHz	
			—	4.5	MHz	
Operating Ambient Temperature	T_A	–40	—	+85	$^{\circ}C$	

DC ELECTRICAL CHARACTERISTICS

Electrical Specifications: All voltages are referenced to V_{SS} , $V_{SS} = 0$, and $T_A = 25^\circ\text{C}$. Current going out of the chip is considered negative.

Parameter	Sym.	Min.	Typ.	Max.	Unit	Conditions	
V_{DD} Supply Current	I_{DD}	—	—	15	mA	$V_{DD} = V_{DD}$ maximum, $f_{CLK} = 8$ MHz	
High-Voltage Supply Current	I_{NN}	—	—	-10	μA	Outputs off, $HV_{OUT} = -85\text{V}$ (total of all outputs)	
Quiescent V_{DD} Supply Current	I_{DDQ}	—	—	100	μA	All inputs = V_{DD} , except $+IN = V_{SS} = \text{GND}$	
High-Level Output	Data Out	V_{OH}	$V_{DD}-0.5\text{V}$	—	—	V	$I_O = -100 \mu\text{A}$
	HV_{OUT}		+1	—	V_{DD}	V	$I_O = -2 \text{ mA}$
Low-Level Output	Data Out	V_{OL}	—	—	+0.5	V	$I_O = 100 \mu\text{A}$
High-Level Logic Input Current	I_{IH}	—	—	1	μA	$V_{IH} = V_{DD}$	
Low-Level Logic Input Current	I_{IL}	—	—	-1	μA	$V_{IL} = 0\text{V}$	
High-Output Source Current	I_{CS}	—	—	-2	mA	$V_{REF} = 2\text{V}$, $R_{EXT} = 1 \text{ k}\Omega$, See Figure 3-3 and Figure 3-4 .	
		-0.1	—	—	mA	$V_{REF} = 0.1\text{V}$, $R_{EXT} = 1 \text{ k}\Omega$, See Figure 3-3 and Figure 3-4 .	
High-Voltage Output Source Current for $I_{REF} = 2 \text{ mA}$	ΔI_{CS}	—	—	10	%	$V_{REF} = 2\text{V}$, $R_{EXT} = 1 \text{ k}\Omega$,	

AC ELECTRICAL CHARACTERISTICS

Electrical Specifications: Logic signal inputs and data inputs have t_r , $t_f \leq 5 \text{ ns}$ (10% and 90% points) for measurements.

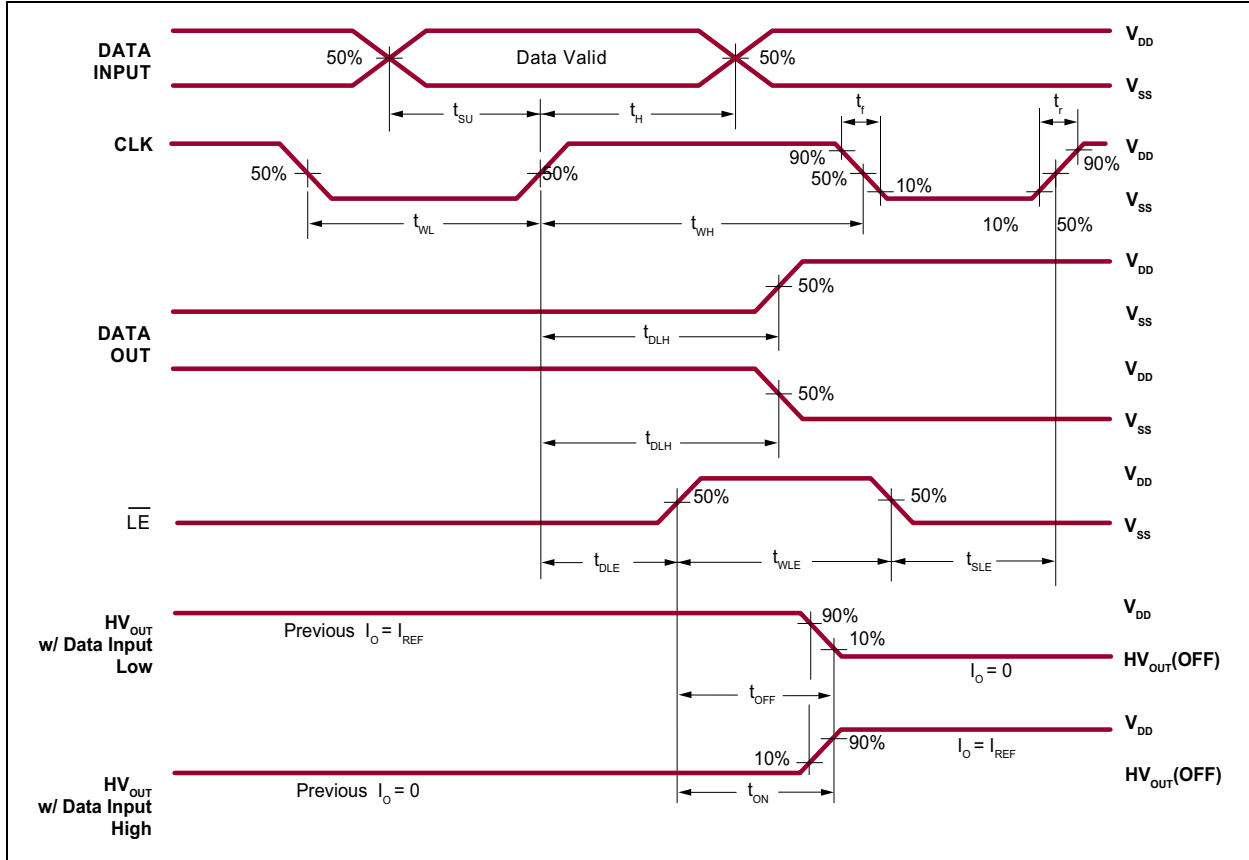
Parameter	Sym.	Min.	Typ.	Max.	Unit	Conditions
Clock Frequency	f_{CLK}	DC	—	8	MHz	Per register
			—	4.5	MHz	When cascading devices
Clock Width High or Low	t_{WL} , t_{WH}	62	—	—	ns	
Data Set-Up Time before Clock Rises	t_{SU}	20	—	—	ns	
Data Hold Time after Clock Rises	t_H	15	—	—	ns	
Time from Latch Enable to HV_{OUT}	t_{ON} , t_{OFF}	—	—	500	ns	$C_L = 15 \text{ pF}$
Latch Enable Pulse Width	t_{WLE}	25	—	—	ns	
Delay Time Clock to Latch Enable Low to High	t_{DLE}	45	—	—	ns	
Latch Enable Set-Up Time before Clock Rises	t_{SLE}	0	—	—	ns	
Delay Time Clock to Data Low to High	t_{DLH}	—	—	150	ns	$C_L = 15 \text{ pF}$
Delay Time Clock to Data High to Low	t_{DHL}	—	—	150	ns	$C_L = 15 \text{ pF}$
Maximum Allowable Clock Rise and Fall Time (10% and 90% Points)	t_r , t_f	—	—	100	ns	

HV57009

TEMPERATURE SPECIFICATIONS

Parameter	Sym.	Min.	Typ.	Max.	Unit	Conditions
TEMPERATURE RANGE						
Operating Ambient Temperature	T_A	-40	—	+85	°C	
Storage Temperature	T_S	-65	—	+150	°C	
PACKAGE THERMAL RESISTANCE						
80-lead PQFP	θ_{JA}	—	37	—	°C/W	

Timing Waveforms



2.0 PIN DESCRIPTION

The details on the pins of HV57009 are listed on [Table 2-1](#). Refer to [Package Type](#) for the location of pins.

TABLE 2-1: PIN FUNCTION TABLE

Pin Number	Pin Name	Description
1	HVOUT24	High-voltage output
2	HVOUT23	High-voltage output
3	HVOUT22	High-voltage output
4	HVOUT21	High-voltage output
5	HVOUT20	High-voltage output
6	HVOUT19	High-voltage output
7	HVOUT18	High-voltage output
8	HVOUT17	High-voltage output
9	HVOUT16	High-voltage output
10	HVOUT15	High-voltage output
11	HVOUT14	High-voltage output
12	HVOUT13	High-voltage output
13	HVOUT12	High-voltage output
14	HVOUT11	High-voltage output
15	HVOUT10	High-voltage output
16	HVOUT9	High-voltage output
17	HVOUT8	High-voltage output
18	HVOUT7	High-voltage output
19	HVOUT6	High-voltage output
20	HVOUT5	High-voltage output
21	HVOUT4	High-voltage output
22	HVOUT3	High-voltage output
23	HVOUT2	High-voltage output
24	HVOUT1	High-voltage output
25	DI/O1A	Data Input/Output 1A pin
26	DI/O2A	Data Input/Output 2A pin
27	NC	No connection
28	NC	No connection
29	\overline{LE}	Latch enable pin
30	CLK	Clock pin
31	\overline{BL}	Blanking pin
32	VSS	Reference voltage (usually ground)
33	DIR	Direction pin (See Note 1 .)
34	VDD	Logic supply voltage (See Note 2 .)

Note 1: Pin designation for DIR = V_{DD} .

2: 0.1 μ F capacitor is needed between VDD and VBP (pin 40) for better output current stability and to prevent transient cross-coupling between outputs. See [Figure 3-3](#) and [Figure 3-4](#).

HV57009

TABLE 2-1: PIN FUNCTION TABLE (CONTINUED)

Pin Number	Pin Name	Description
35	-IN	-IN input pin
36	DI/O2B	Data Input/Output 2B pin
37	DI/O1B	Data Input/Output 1B pin
38	NC	No connection
39	+IN	+IN input pin
40	VBP	Bias control voltage (See Note 2 .)
41	HVOUT64	High-voltage output
42	HVOUT63	High-voltage output
43	HVOUT62	High-voltage output
44	HVOUT61	High-voltage output
45	HVOUT60	High-voltage output
46	HVOUT59	High-voltage output
47	HVOUT58	High-voltage output
48	HVOUT57	High-voltage output
49	HVOUT56	High-voltage output
50	HVOUT55	High-voltage output
51	HVOUT54	High-voltage output
52	HVOUT53	High-voltage output
53	HVOUT52	High-voltage output
54	HVOUT51	High-voltage output
55	HVOUT50	High-voltage output
56	HVOUT49	High-voltage output
57	HVOUT48	High-voltage output
58	HVOUT47	High-voltage output
59	HVOUT46	High-voltage output
60	HVOUT45	High-voltage output
61	HVOUT44	High-voltage output
62	HVOUT43	High-voltage output
63	HVOUT42	High-voltage output
64	HVOUT41	High-voltage output
65	HVOUT40	High-voltage output
66	HVOUT39	High-voltage output
67	HVOUT38	High-voltage output
68	HVOUT37	High-voltage output
69	HVOUT36	High-voltage output
70	HVOUT35	High-voltage output
71	HVOUT34	High-voltage output
72	HVOUT33	High-voltage output
73	HVOUT32	High-voltage output

Note 1: Pin designation for DIR = V_{DD} .

2: 0.1 μ F capacitor is needed between VDD and VBP (pin 40) for better output current stability and to prevent transient cross-coupling between outputs. See [Figure 3-3](#) and [Figure 3-4](#).

TABLE 2-1: PIN FUNCTION TABLE (CONTINUED)

Pin Number	Pin Name	Description
74	HVOUT31	High-voltage output
75	HVOUT30	High-voltage output
76	HVOUT29	High-voltage output
77	HVOUT28	High-voltage output
78	HVOUT27	High-voltage output
79	HVOUT26	High-voltage output
80	HVOUT25	High-voltage output

Note 1: Pin designation for DIR = V_{DD} .

2: 0.1 μ F capacitor is needed between VDD and VBP (pin 40) for better output current stability and to prevent transient cross-coupling between outputs. See [Figure 3-3](#) and [Figure 3-4](#).

HV57009

3.0 FUNCTIONAL DESCRIPTION

Follow the steps in [Table 3-1](#) to power up and power down the HV57009.

TABLE 3-1: POWER-UP AND POWER-DOWN SEQUENCE

Power-up		Power-down	
Step	Description	Step	Description
1	Connect ground.	1	Remove V_{PP} .
2	Apply V_{DD} .	2	Remove all inputs.
3	Set all inputs (Data, CLK, Enable, etc.) to a known state.	3	Remove V_{DD} .
4	Apply V_{PP} .	4	Disconnect ground.

TABLE 3-2: TRUTH FUNCTION TABLE

Function	Inputs						Outputs	
	Data	CLK	\overline{LE}	\overline{BL}	DIR	Shift Register	High-voltage Output	Data Out
All O/P High	X	X	X	L	X	*	ON	*
Data Falls Through (Latches Transparent)	L	↑	H	H	X	L...L	ON	L
	H	↑	H	H	X	H...H	OFF	H
Data Stored in Latches	X	X	L	H	X	*	Inversion of stored data	*
I/O Relation	$D_{I/O1-2A}$	↑	H	H	H	$Q_N \rightarrow Q_{N+1}$	New ON or OFF	$D_{I/O1-2B}$
	$D_{I/O1-2A}$	↑	L	H	H	$Q_N \rightarrow Q_{N+1}$	Previous ON or OFF	$D_{I/O1-2B}$
	$D_{I/O1-2B}$	↑	L	H	L	$Q_N \rightarrow Q_{N-1}$	Previous ON or OFF	$D_{I/O1-2A}$
	$D_{I/O1-2B}$	↑	H	H	L	$Q_N \rightarrow Q_{N-1}$	New ON or OFF	$D_{I/O1-2A}$

Note: H = V_{DD} (Logic)/ V_{NN} (HV Outputs)

L = V_{SS}

↑ = Low-to-high transition

* = Dependent on the previous stage's state. See [Figure 3-2](#) for D_{IN} and D_{OUT} pin designation for clockwise and counter-clockwise shifts.

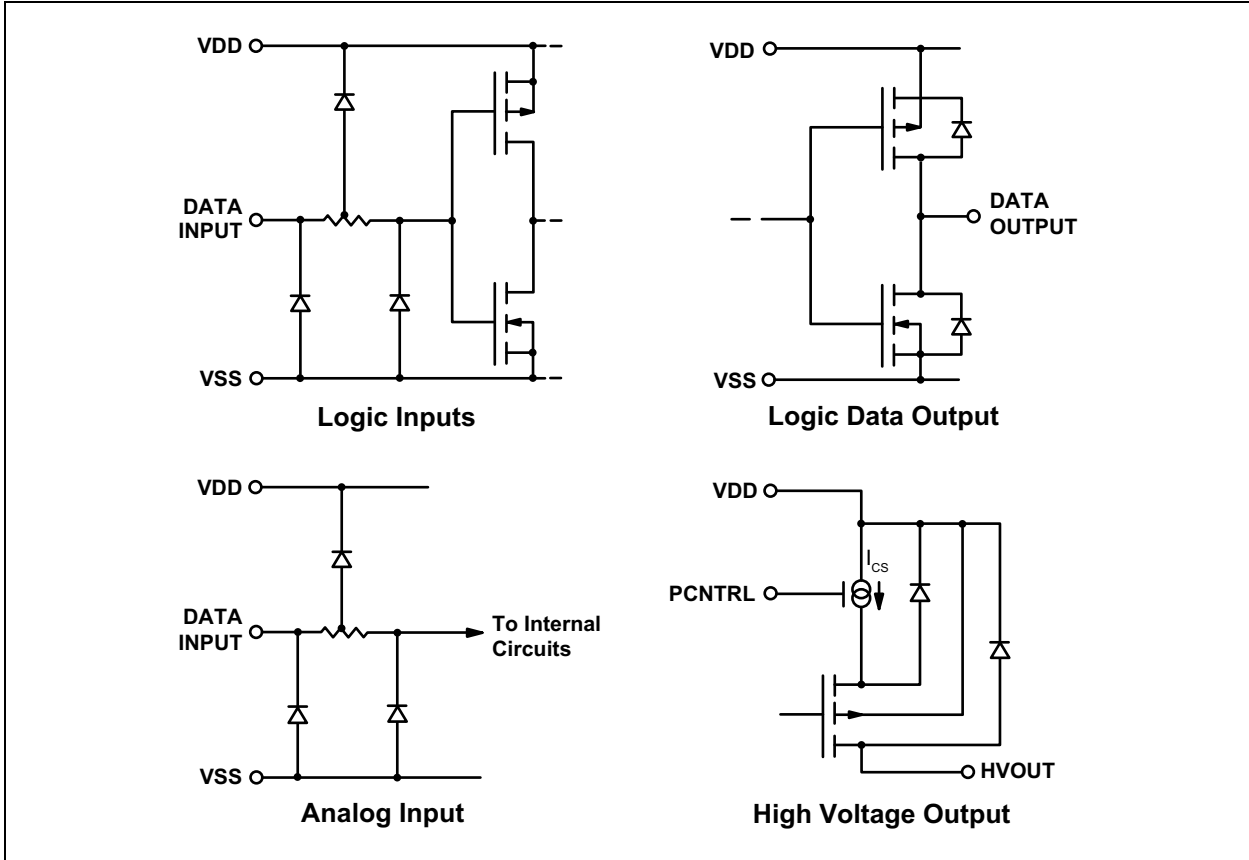


FIGURE 3-1: Input and Output Equivalent Circuits.

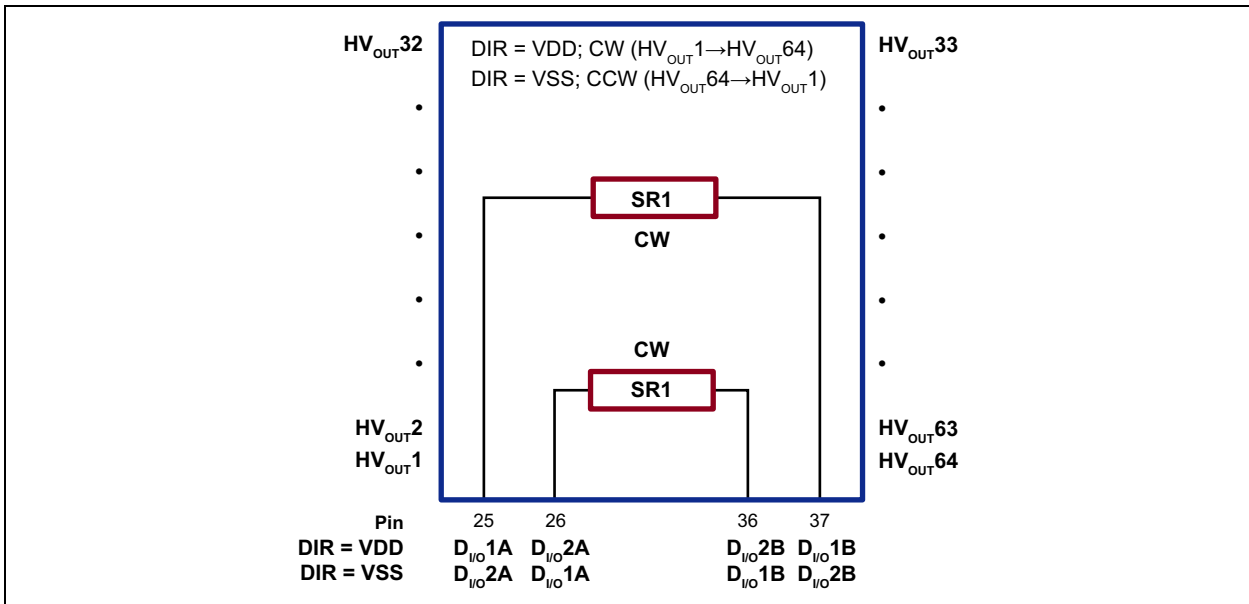


FIGURE 3-2: Shift Register Operation.

HV57009

3.1 Typical Current Programming Circuits

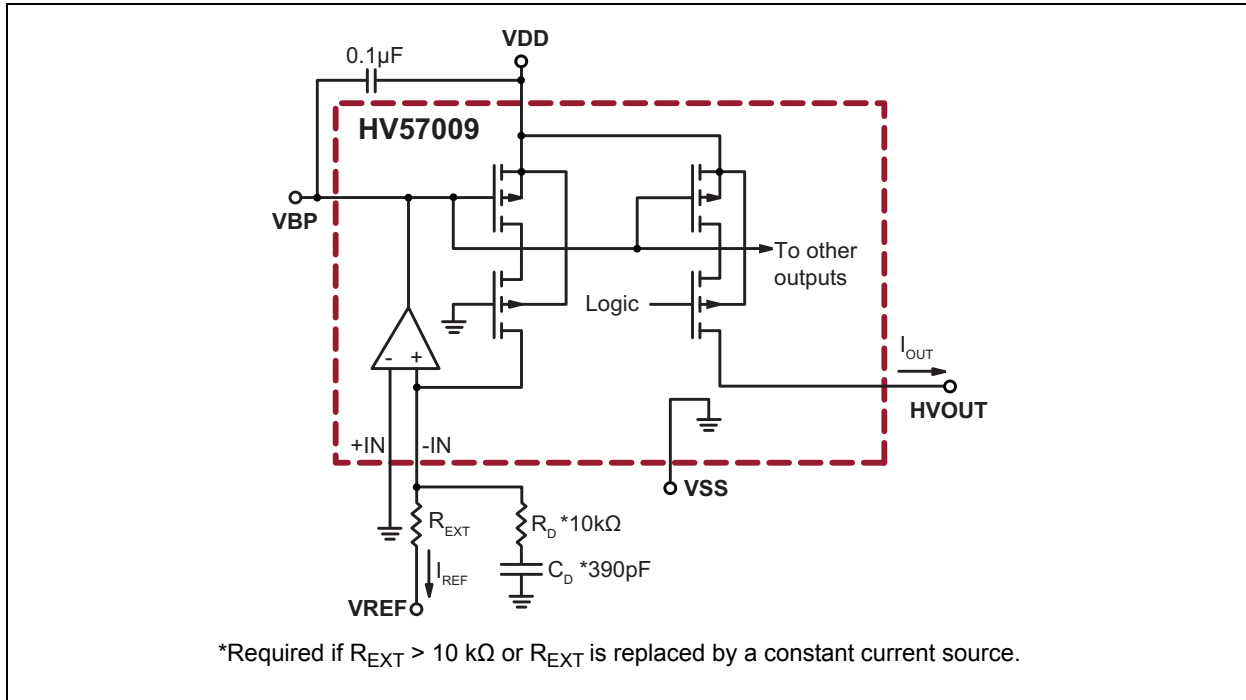


FIGURE 3-3: Negative Control Circuit.

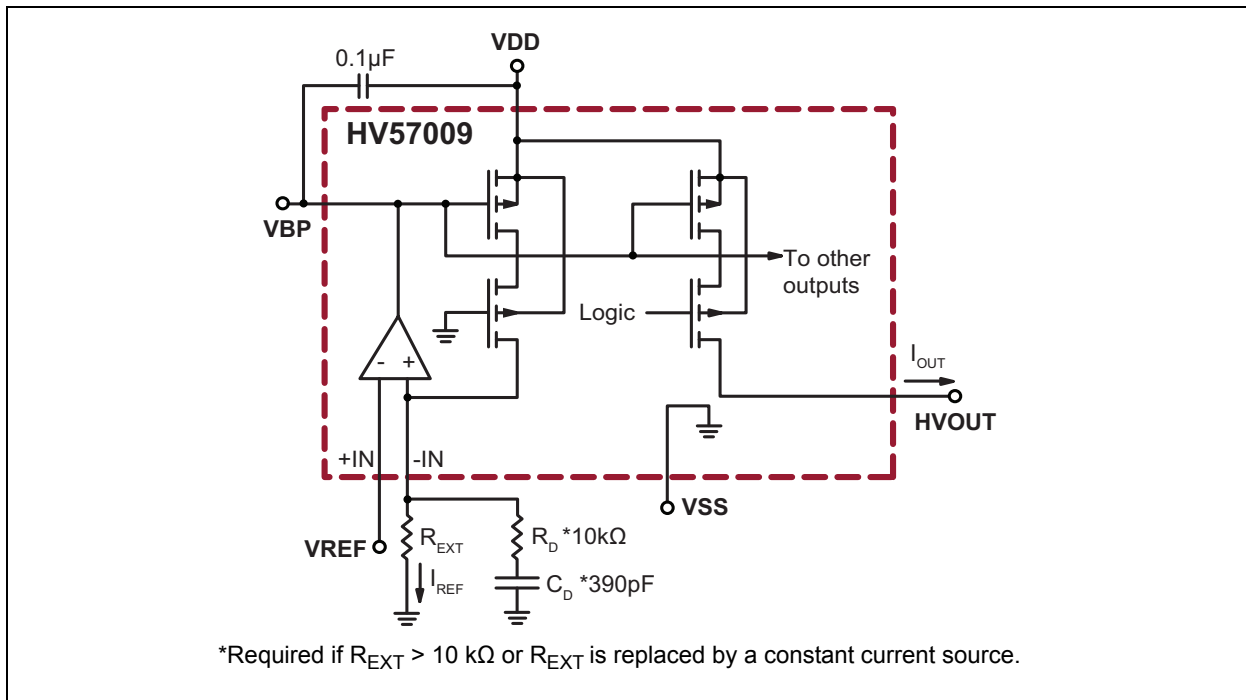


FIGURE 3-4: Positive Control Circuit.

Figure 3-3 and Figure 3-4 show the programming circuits to control the high-voltage output current limit. A reference current I_{REF} is set by the external resistor R_{EXT} and reference voltage V_{REF} . The current mirror formed by the matching transistors uses the reference current to cap the maximum allowed current at the high-voltage output. The relationship between I_{OUT} and I_{REF} are shown in Equation 3-1 and Equation 3-2.

EQUATION 3-1:

$$I_{OUT} = I_{REF} = |V_{REF}| / R_{EXT}$$

EQUATION 3-2:

If $I_{OUT} = 2 \text{ mA}$ and $V_{REF} = -5V \rightarrow R_{EXT} = 2.5 \text{ k}\Omega$
 If $I_{OUT} = 1 \text{ mA}$ and $R_{EXT} = 1 \text{ k}\Omega \rightarrow V_{REF} = -1V$

If $R_{EXT} > 10 \text{ k}\Omega$, add series network R_D and C_D to ground for stability as shown in Figure 3-3 and Figure 3-4.

This control method behaves linearly as long as the operational amplifier is not saturated. However, it requires a negative power source and needs to provide a current $I_{REF} = I_{OUT}$ for each HV57009 chip being controlled.

If $HV_{OUT} \geq +1V$, the HV_{OUT} cascade may no longer operate as a perfect current source, and the output current will diminish. This effect depends on the magnitude of the output current.

Given I_{OUT} and V_{REF} , the R_{EXT} can be calculated using Equation 3-3:

EQUATION 3-3:

$$R_{EXT} = V_{REF} / I_{REF} = V_{REF} / I_{OUT}$$

The intersection of a set of I_{OUT} and V_{REF} values can be located in Figure 3-5. The value picked for R_{EXT} must always be in the shaded area for linear operation. This control method has the advantage that V_{REF} is positive and draws leakage current only. If $R_{EXT} > 10 \text{ k}\Omega$, add series network R_D and C_D to ground for stability as shown in Figure 3-3 and Figure 3-4.

Note: Lower reference current, I_{REF} , results in higher distortion, ΔI_{CS} , on the output.

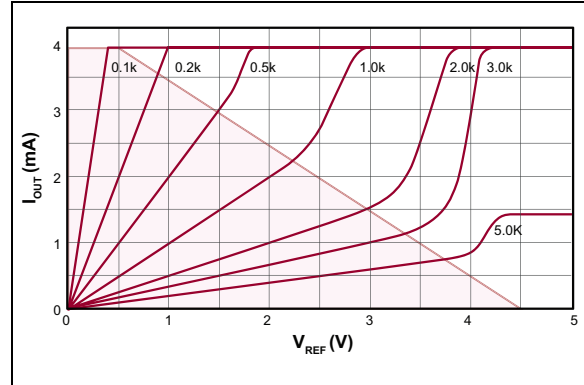
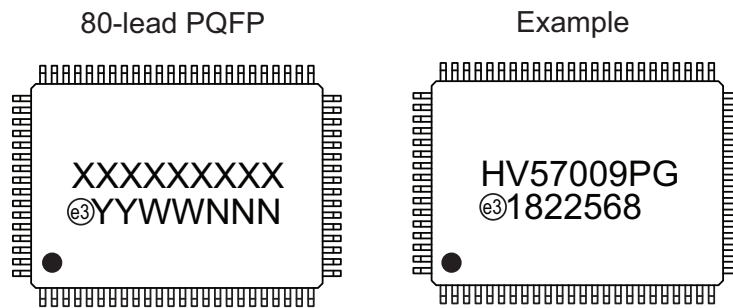


FIGURE 3-5: I_{OUT} vs. I_{REF}

HV57009

4.0 PACKAGE MARKING INFORMATION

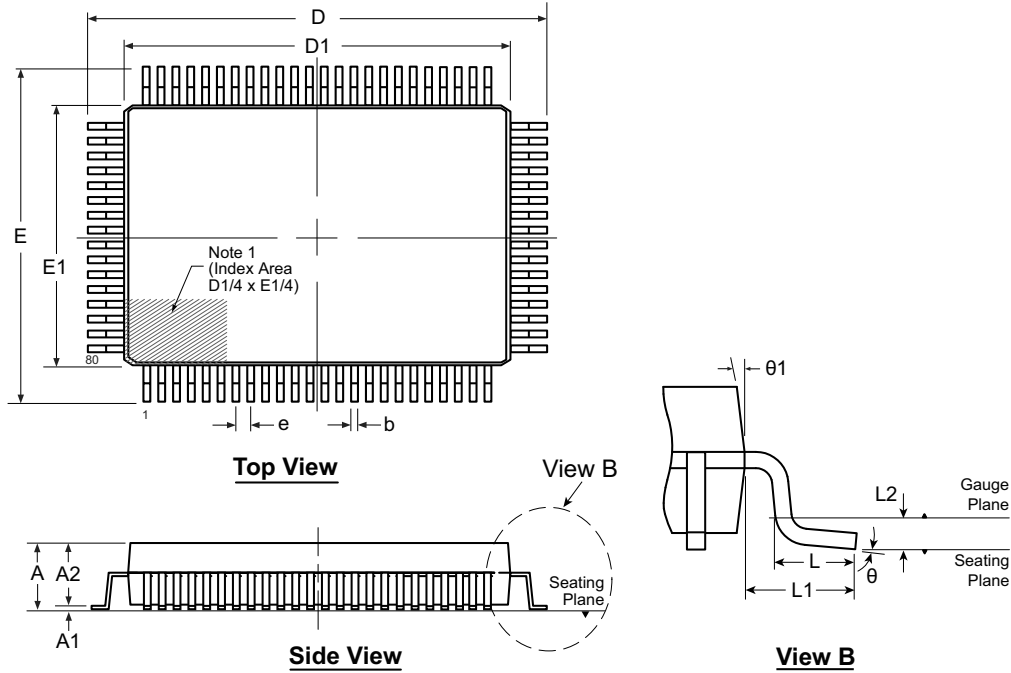
4.1 Packaging Information



Legend:	XX...X	Product Code or Customer-specific information
	Y	Year code (last digit of calendar year)
	YY	Year code (last 2 digits of calendar year)
	WW	Week code (week of January 1 is week '01')
	NNN	Alphanumeric traceability code
	e3	Pb-free JEDEC® designator for Matte Tin (Sn)
	*	This package is Pb-free. The Pb-free JEDEC designator (e3) can be found on the outer packaging for this package.
Note:	In the event the full Microchip part number cannot be marked on one line, it will be carried over to the next line, thus limiting the number of available characters for product code or customer-specific information. Package may or not include the corporate logo.	

80-Lead PQFP Package Outline (PG)

20.00x14.00mm body, 3.40mm height (max), 0.80mm pitch, 3.90mm footprint



Note: For the most current package drawings, see the Microchip Packaging Specification at www.microchip.com/packaging.

Note:

1. A Pin 1 identifier must be located in the index area indicated. The Pin 1 identifier can be: a molded mark/identifier; an embedded metal marker; or a printed indicator.

Symbol	A	A1	A2	b	D	D1	E	E1	e	L	L1	L2	θ	θ1	
Dimension (mm)	MIN	2.80*	0.25	2.55	0.30	23.65*	19.80*	17.65*	13.80*	0.80 BSC	0.73	1.95 REF	0.25 BSC	0°	5°
	NOM	-	-	2.80	-	23.90	20.00	17.90	14.00		0.88		3.5°	-	
	MAX	3.40	0.50*	3.05	0.45	24.15*	20.20*	18.15*	14.20*		1.03		7°	16°	

JEDEC Registration MO-112, Variation CB-1, Issue B, Sept. 1995.

* This dimension is not specified in the JEDEC drawing.

Drawings not to scale.

HV57009

NOTES:

APPENDIX A: REVISION HISTORY

Revision A (April 2018)

- Converted Supertex Doc # DSFP-HV57009 to Microchip DS20005856A
- Removed “HVCMOS[®] Technology” in the Features section
- Changed the package marking format
- Made minor changes throughout the document

HV57009

PRODUCT IDENTIFICATION SYSTEM

To order or obtain information, e.g., on pricing or delivery, contact your local Microchip representative or sales office.

<u>PART NO.</u>	<u>XX</u>	-	<u>X</u>	-	<u>X</u>
Device	Package Options		Environmental		Media Type
Device:	HV57009	=	64-Channel Serial-to-Parallel Converter with P-Channel Open Drain Controllable Output Current		
Package:	PG	=	80-lead PQFP		
Environmental:	G	=	Lead (Pb)-free/RoHS-compliant Package		
Media Type:	(blank)	=	66/Tray for a PG Package		

Example:

a) HV57009PG-G: 64-Channel Serial-to-Parallel Converter with P-Channel Open Drain Controllable Output Current, 80-lead PQFP, 66/Tray

Note the following details of the code protection feature on Microchip devices:

- Microchip products meet the specification contained in their particular Microchip Data Sheet.
- Microchip believes that its family of products is one of the most secure families of its kind on the market today, when used in the intended manner and under normal conditions.
- There are dishonest and possibly illegal methods used to breach the code protection feature. All of these methods, to our knowledge, require using the Microchip products in a manner outside the operating specifications contained in Microchip's Data Sheets. Most likely, the person doing so is engaged in theft of intellectual property.
- Microchip is willing to work with the customer who is concerned about the integrity of their code.
- Neither Microchip nor any other semiconductor manufacturer can guarantee the security of their code. Code protection does not mean that we are guaranteeing the product as “unbreakable.”

Code protection is constantly evolving. We at Microchip are committed to continuously improving the code protection features of our products. Attempts to break Microchip's code protection feature may be a violation of the Digital Millennium Copyright Act. If such acts allow unauthorized access to your software or other copyrighted work, you may have a right to sue for relief under that Act.

Information contained in this publication regarding device applications and the like is provided only for your convenience and may be superseded by updates. It is your responsibility to ensure that your application meets with your specifications. MICROCHIP MAKES NO REPRESENTATIONS OR WARRANTIES OF ANY KIND WHETHER EXPRESS OR IMPLIED, WRITTEN OR ORAL, STATUTORY OR OTHERWISE, RELATED TO THE INFORMATION, INCLUDING BUT NOT LIMITED TO ITS CONDITION, QUALITY, PERFORMANCE, MERCHANTABILITY OR FITNESS FOR PURPOSE. Microchip disclaims all liability arising from this information and its use. Use of Microchip devices in life support and/or safety applications is entirely at the buyer's risk, and the buyer agrees to defend, indemnify and hold harmless Microchip from any and all damages, claims, suits, or expenses resulting from such use. No licenses are conveyed, implicitly or otherwise, under any Microchip intellectual property rights unless otherwise stated.

Microchip received ISO/TS-16949:2009 certification for its worldwide headquarters, design and wafer fabrication facilities in Chandler and Tempe, Arizona; Gresham, Oregon and design centers in California and India. The Company's quality system processes and procedures are for its PIC® MCUs and dsPIC® DSCs, KEELOQ® code hopping devices, Serial EEPROMs, microperipherals, nonvolatile memory and analog products. In addition, Microchip's quality system for the design and manufacture of development systems is ISO 9001:2000 certified.

**QUALITY MANAGEMENT SYSTEM
CERTIFIED BY DNV
= ISO/TS 16949 =**

Trademarks

The Microchip name and logo, the Microchip logo, AnyRate, AVR, AVR logo, AVR Freaks, BeaconThings, BitCloud, CryptoMemory, CryptoRF, dsPIC, FlashFlex, flexPWR, Heldo, JukeBlox, KEELOQ, KEELOQ logo, Klear, LANCheck, LINK MD, maXStylus, maXTouch, MediaLB, megaAVR, MOST, MOST logo, MPLAB, OptoLyzer, PIC, picoPower, PICSTART, PIC32 logo, Prochip Designer, QTouch, RightTouch, SAM-BA, SpyNIC, SST, SST Logo, SuperFlash, tinyAVR, UNI/O, and XMEGA are registered trademarks of Microchip Technology Incorporated in the U.S.A. and other countries.

ClockWorks, The Embedded Control Solutions Company, EtherSynch, Hyper Speed Control, HyperLight Load, IntelliMOS, mTouch, Precision Edge, and Quiet-Wire are registered trademarks of Microchip Technology Incorporated in the U.S.A.

Adjacent Key Suppression, AKS, Analog-for-the-Digital Age, Any Capacitor, AnyIn, AnyOut, BodyCom, chipKIT, chipKIT logo, CodeGuard, CryptoAuthentication, CryptoCompanion, CryptoController, dsPICDEM, dsPICDEM.net, Dynamic Average Matching, DAM, ECAN, EtherGREEN, In-Circuit Serial Programming, ICSP, Inter-Chip Connectivity, JitterBlocker, KlearNet, KlearNet logo, Mindi, MiWi, motorBench, MPASM, MPF, MPLAB Certified logo, MPLIB, MPLINK, MultiTRAK, NetDetach, Omniscient Code Generation, PICDEM, PICDEM.net, PICKit, PICTail, PureSilicon, QMatrix, RightTouch logo, REAL ICE, Ripple Blocker, SAM-ICE, Serial Quad I/O, SMART-I.S., SQI, SuperSwitcher, SuperSwitcher II, Total Endurance, TSHARC, USBCheck, VariSense, ViewSpan, WiperLock, Wireless DNA, and ZENA are trademarks of Microchip Technology Incorporated in the U.S.A. and other countries.

SQTP is a service mark of Microchip Technology Incorporated in the U.S.A.

Silicon Storage Technology is a registered trademark of Microchip Technology Inc. in other countries.

GestIC is a registered trademark of Microchip Technology Germany II GmbH & Co. KG, a subsidiary of Microchip Technology Inc., in other countries.

All other trademarks mentioned herein are property of their respective companies.

© 2018, Microchip Technology Incorporated, All Rights Reserved.
ISBN: 978-1-5224-2951-7



MICROCHIP

Worldwide Sales and Service

AMERICAS

Corporate Office
2355 West Chandler Blvd.
Chandler, AZ 85224-6199
Tel: 480-792-7200
Fax: 480-792-7277
Technical Support:
<http://www.microchip.com/support>
Web Address:
www.microchip.com

Atlanta

Duluth, GA
Tel: 678-957-9614
Fax: 678-957-1455

Austin, TX

Tel: 512-257-3370

Boston

Westborough, MA
Tel: 774-760-0087
Fax: 774-760-0088

Chicago

Itasca, IL
Tel: 630-285-0071
Fax: 630-285-0075

Dallas

Addison, TX
Tel: 972-818-7423
Fax: 972-818-2924

Detroit

Novi, MI
Tel: 248-848-4000

Houston, TX

Tel: 281-894-5983

Indianapolis

Noblesville, IN
Tel: 317-773-8323
Fax: 317-773-5453
Tel: 317-536-2380

Los Angeles

Mission Viejo, CA
Tel: 949-462-9523
Fax: 949-462-9608
Tel: 951-273-7800

Raleigh, NC

Tel: 919-844-7510

New York, NY

Tel: 631-435-6000

San Jose, CA

Tel: 408-735-9110
Tel: 408-436-4270

Canada - Toronto

Tel: 905-695-1980
Fax: 905-695-2078

ASIA/PACIFIC

Australia - Sydney
Tel: 61-2-9868-6733

China - Beijing
Tel: 86-10-8569-7000

China - Chengdu
Tel: 86-28-8665-5511

China - Chongqing
Tel: 86-23-8980-9588

China - Dongguan
Tel: 86-769-8702-9880

China - Guangzhou
Tel: 86-20-8755-8029

China - Hangzhou
Tel: 86-571-8792-8115

China - Hong Kong SAR
Tel: 852-2943-5100

China - Nanjing
Tel: 86-25-8473-2460

China - Qingdao
Tel: 86-532-8502-7355

China - Shanghai
Tel: 86-21-3326-8000

China - Shenyang
Tel: 86-24-2334-2829

China - Shenzhen
Tel: 86-755-8864-2200

China - Suzhou
Tel: 86-186-6233-1526

China - Wuhan
Tel: 86-27-5980-5300

China - Xian
Tel: 86-29-8833-7252

China - Xiamen
Tel: 86-592-2388138

China - Zhuhai
Tel: 86-756-3210040

ASIA/PACIFIC

India - Bangalore
Tel: 91-80-3090-4444

India - New Delhi
Tel: 91-11-4160-8631

India - Pune
Tel: 91-20-4121-0141

Japan - Osaka
Tel: 81-6-6152-7160

Japan - Tokyo
Tel: 81-3-6880-3770

Korea - Daegu
Tel: 82-53-744-4301

Korea - Seoul
Tel: 82-2-554-7200

Malaysia - Kuala Lumpur
Tel: 60-3-7651-7906

Malaysia - Penang
Tel: 60-4-227-8870

Philippines - Manila
Tel: 63-2-634-9065

Singapore
Tel: 65-6334-8870

Taiwan - Hsin Chu
Tel: 886-3-577-8366

Taiwan - Kaohsiung
Tel: 886-7-213-7830

Taiwan - Taipei
Tel: 886-2-2508-8600

Thailand - Bangkok
Tel: 66-2-694-1351

Vietnam - Ho Chi Minh
Tel: 84-28-5448-2100

EUROPE

Austria - Wels
Tel: 43-7242-2244-39
Fax: 43-7242-2244-393

Denmark - Copenhagen
Tel: 45-4450-2828
Fax: 45-4485-2829

Finland - Espoo
Tel: 358-9-4520-820

France - Paris
Tel: 33-1-69-53-63-20
Fax: 33-1-69-30-90-79

Germany - Garching
Tel: 49-8931-9700

Germany - Haan
Tel: 49-2129-3766400

Germany - Heilbronn
Tel: 49-7131-67-3636

Germany - Karlsruhe
Tel: 49-721-625370

Germany - Munich
Tel: 49-89-627-144-0
Fax: 49-89-627-144-44

Germany - Rosenheim
Tel: 49-8031-354-560

Israel - Ra'anana
Tel: 972-9-744-7705

Italy - Milan
Tel: 39-0331-742611
Fax: 39-0331-466781

Italy - Padova
Tel: 39-049-7625286

Netherlands - Drunen
Tel: 31-416-690399
Fax: 31-416-690340

Norway - Trondheim
Tel: 47-7289-7561

Poland - Warsaw
Tel: 48-22-3325737

Romania - Bucharest
Tel: 40-21-407-87-50

Spain - Madrid
Tel: 34-91-708-08-90
Fax: 34-91-708-08-91

Sweden - Gothenberg
Tel: 46-31-704-60-40

Sweden - Stockholm
Tel: 46-8-5090-4654

UK - Wokingham
Tel: 44-118-921-5800
Fax: 44-118-921-5820