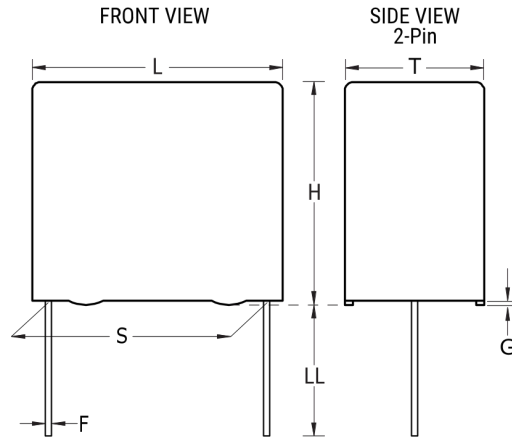


## F461FC335K250Z

Not for New Design

F461, Film, Metallized Polypropylene, General Purpose, 3.3 uF, 10%, 250 VDC, 85°C, Lead Spacing = 27.5mm



Click [here](#) for the 3D model.

### Dimensions

L	31.5mm -0.7mm
H	20mm -0.7mm
T	1mm -0.7mm
S	27.5mm +/-0.4mm
LL	4mm +2mm
F	0.8mm +/-0.05mm
G	0.5mm NOM

### Packaging Specifications

Packaging	Pizza, Box
Packaging Quantity	300

### General Information

Series	F461
Dielectric	Metallized Polypropylene
Style	Radial
Features	MKP, Pulse
RoHS	Yes
Lead	Cut/Short
AEC-Q200	No
Component Weight	8 g
Miscellaneous	The Rated Voltage Decreases 2%/C Between +85C And +105C (1.25%/C For AC). ClimCat: 55/105/56.
Notes	Series Replaced by R75.

### Specifications

Capacitance	3.3 uF
Capacitance Tolerance	10%
Voltage AC	160 VAC
Voltage DC	250 VDC, 150 VDC (105C)
Temperature Range	-55/+105°C
Rated Temperature	85°C
Dissipation Factor	0.1% 1kHz
Insulation Resistance	9.091 GOhms
Max dV/dt	100 V/us
Inductance	6 nH