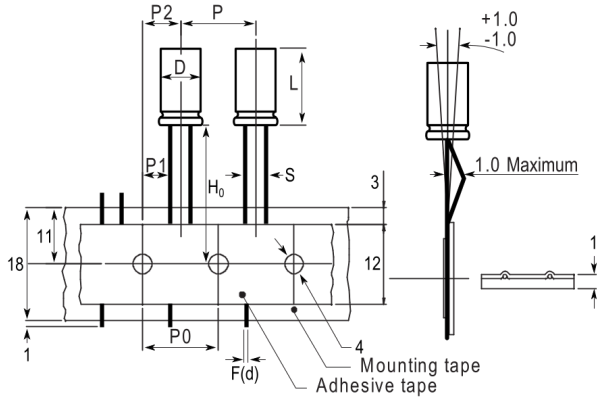


Straight Leads Diameter > 8
Lead and packaging code EA and KA



Note: '()' correspond to the letters used in the product bulletin

Click [here](#) for the 3D model.

Dimensions

D	10mm +/-0.5mm
L	12mm +1.5mm
S	5mm +/-0.5mm
LL Negative	15mm MIN
LL Positive	20mm MIN
F	0.6mm NOM

Packaging Specifications

Packaging	Ammo
Packaging Quantity	700

General Information

Series	ESX
Dielectric	Aluminum Electrolytic
Description	Single Ended Aluminum Electrolytic
RoHS	Yes
Lead	Wire Leads
AEC-Q200	No

Specifications

Capacitance	470 uF
Capacitance Tolerance	20%
Voltage DC	10 VDC, 13 VDC (Surge)
Temperature Range	-40/+105°C
Rated Temperature	105°C
Life	3000 Hrs
Dissipation Factor	19%
Resistance	0.24 Ohms (ESR, 100kHz 25C), 0.24 Ohms (Z, 100kHz 20C)
Ripple Current	590 mAmps (100kHz 105C)
Leakage Current	61.1 uA (2min 20°C)
Impedance Ratio at -25C	3
Impedance Ratio at -40C	6