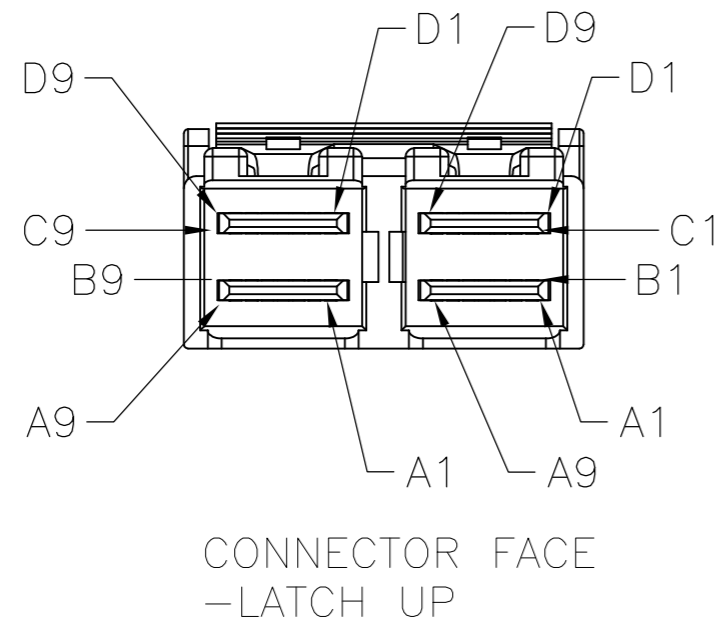
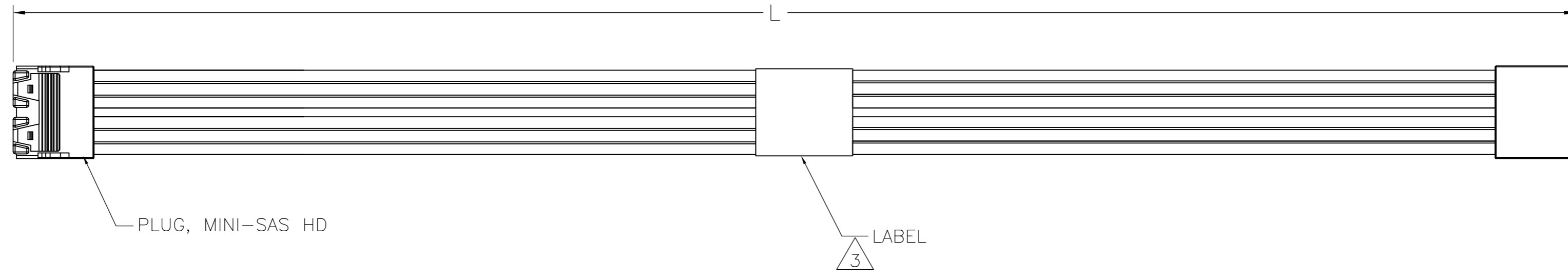
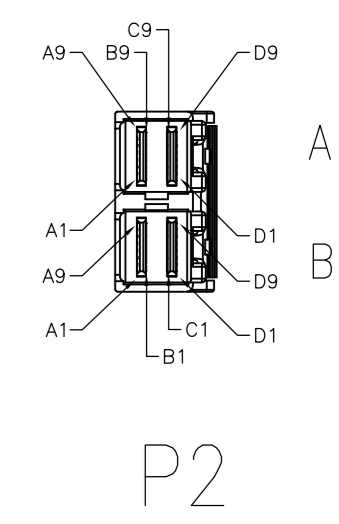
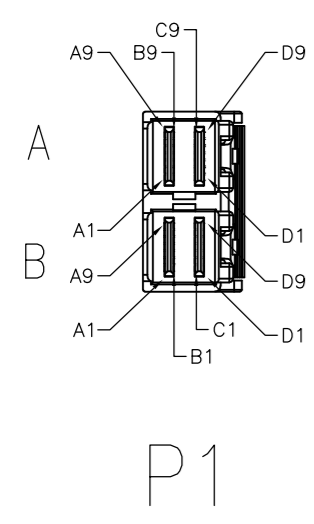
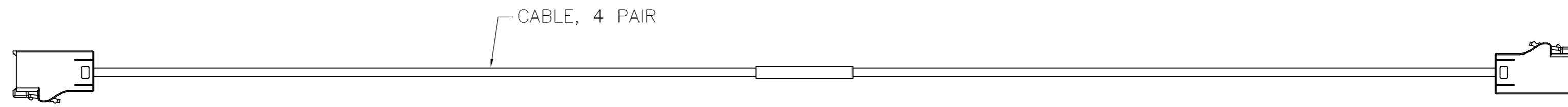


THIS DRAWING IS UNPUBLISHED. RELEASED FOR PUBLICATION  
 © COPYRIGHT - By - ALL RIGHTS RESERVED.

LOC	DIST	REVISIONS			
P	LTR	DESCRIPTION	DATE	DWN	APVD
GP	00	A	INITIAL RELEASE	07JUL2015	MY GG



- ASSEMBLY TO BE 100% TESTED FOR CONTINUITY, SHORTS, AND OPENS, CABLES ASSEMBLYS ARE ALSO TO BE 100% TESTED FOR SIGNAL INTEGRITY, TO SAS 3.0 REQUIREMENTS.
- ROHS AND REACH COMPLIANCE: PRODUCT AND PROCESSING MEETS REQUIREMENTS OF TE SPECIFICATION TEC-138-702.

3 LABEL CENTERED AND LABEL INFORMATION AS BELOW:

	2820339-[ ]	TE LOGO AND P/N
_____ METERS		LENGTH
MADE IN _____		COUNTRY OF ORIGIN
YYWWSSSS		YYWW IS DATE CODE, SSSS IS SERIAL
		BAR FOR YYWWSSSS

4. SEE SHEET #2 FOR WIRING SCHEMATIC.

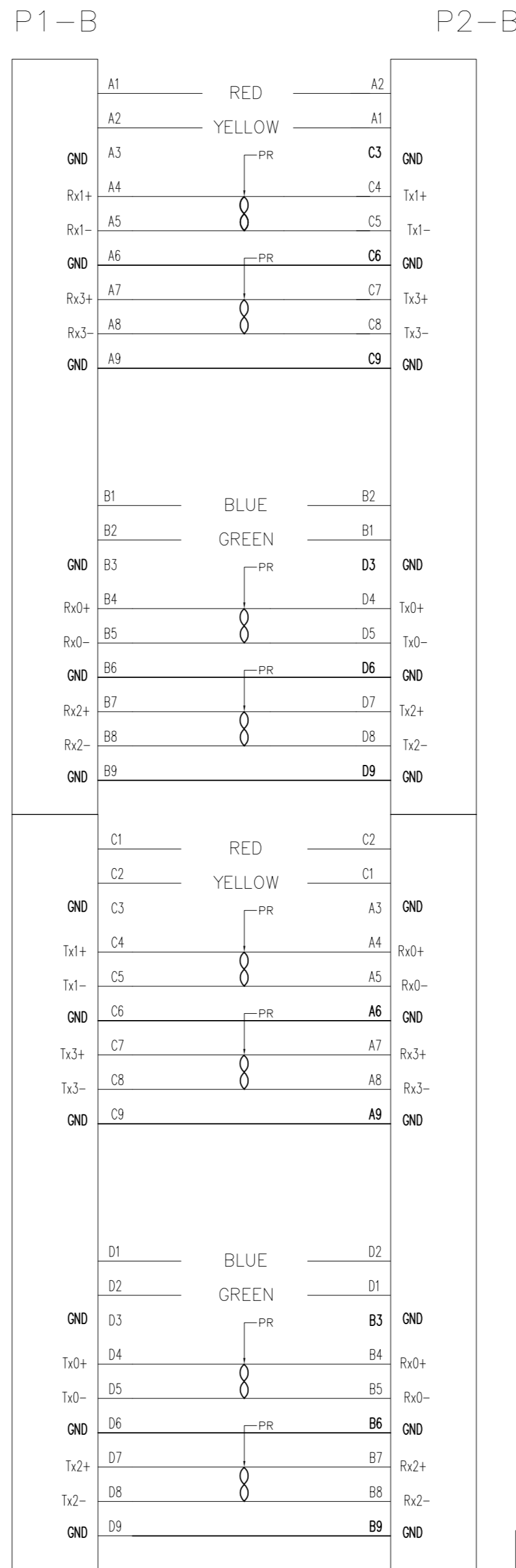
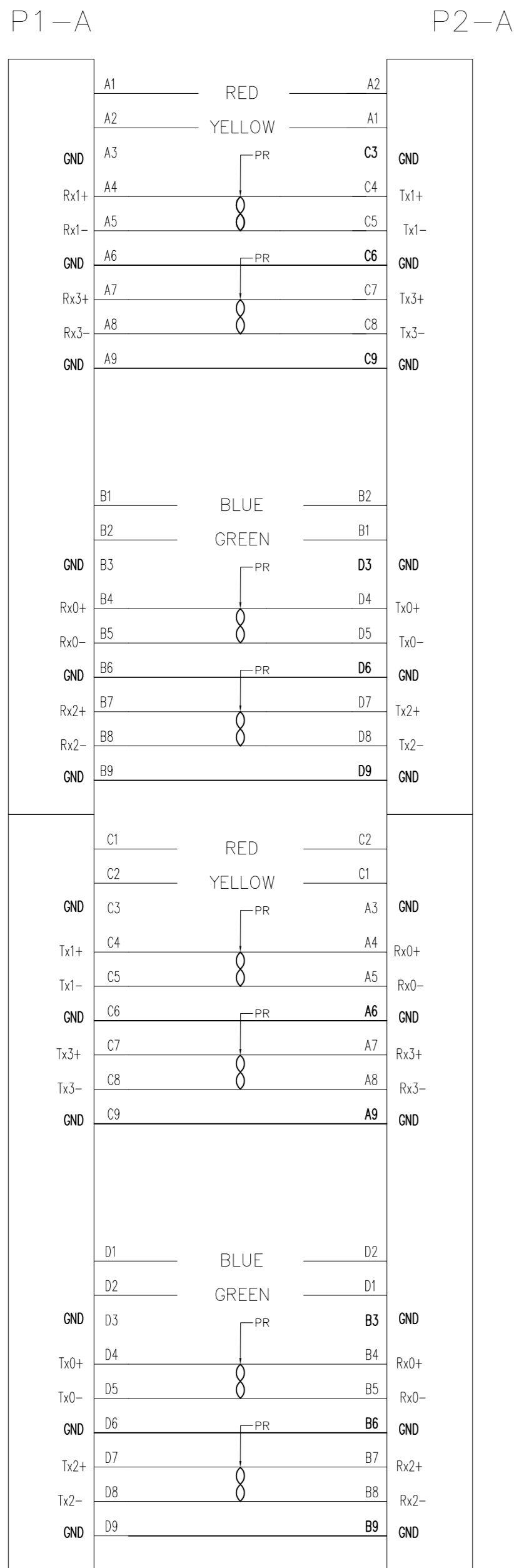
500 +25 -0	2820339-2
300 +25 -0	2820339-1
"L"[MM]	TE P/N

THIS DRAWING IS A CONTROLLED DOCUMENT.		DWN	16/JUN/2014	TE Connectivity
DIMENSIONS:		M.YI	16/JUN/2014	
mm	TOLERANCES UNLESS OTHERWISE SPECIFIED:	G.GUTGOLD	16/JUN/2014	
	0 PLC ± -	APVD	16/JUN/2014	
	1 PLC ± -	PRODUCT SPEC		NAME
	2 PLC ± -	APPLICATION SPEC		C/A, INTERNAL HD MINI SAS, STR TO STR
	3 PLC ± -	WEIGHT		85 OHMS, 8X, HALOGENATED
	4 PLC ± -	MATERIAL		SIZE
	ANGLES ± -	FINISH		CAGE CODE
		CUSTOMER DRAWING		DRAWING NO
		SCALE		RESTRICTED TO
		N.T.S.		A2 00779 C=2820339
		SHEET		1 of 2
		REV		A

2820339

THIS DRAWING IS UNPUBLISHED. RELEASED FOR PUBLICATION  
 © COPYRIGHT - By - ALL RIGHTS RESERVED.

LOC	DIST	REVISIONS					
		P	LTR	DESCRIPTION	DATE	DWN	APVD
GP	00	-	-	SEE SHEET 1	-	-	-



# WIRING PATTERN

THIS DRAWING IS A CONTROLLED DOCUMENT.		DWN M.YI 16/JUN/2014		TE Connectivity	
DIMENSIONS: mm		CHK G.GUTGOLD 16/JUN/2014		NAME C/A, INTERNAL HD MINI SAS, STR TO STR 85 OHMS, 8X, HALOGENATED	
TOLERANCES UNLESS OTHERWISE SPECIFIED: 0 PLC ± - 1 PLC ± - 2 PLC ± - 3 PLC ± - 4 PLC ± - ANGLES ± -		APVD G.GUTGOLD 16/JUN/2014	PRODUCT SPEC		
MATERIAL		APPLICATION SPEC	SCALE		
FINISH		WEIGHT	SIZE A2	CAGE CODE 00779	DRAWING NO C=2820339
		CUSTOMER DRAWING	SCALE N.T.S.		SHEET 2 of 2
			RESTRICTED TO		REV A