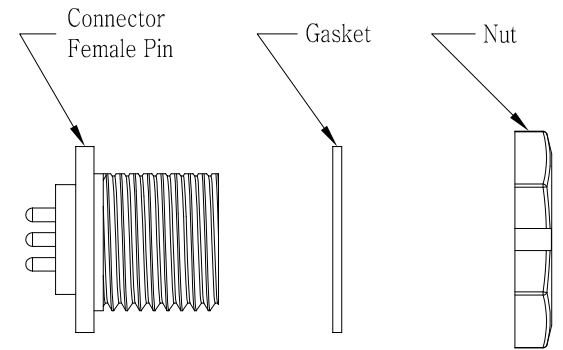
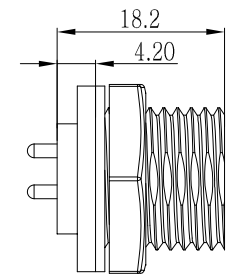
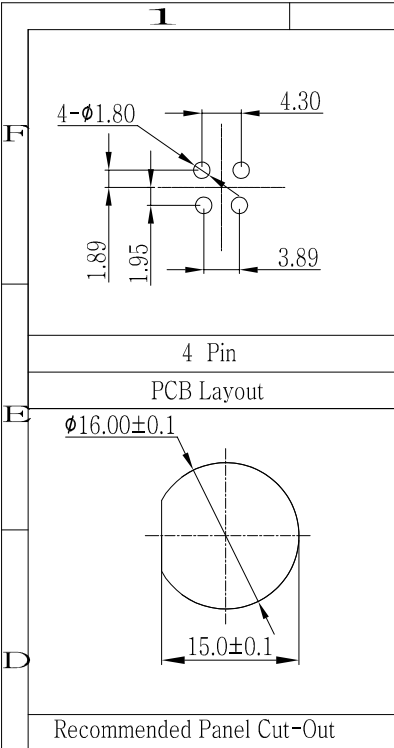
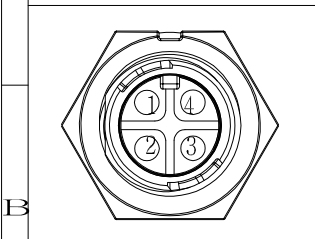
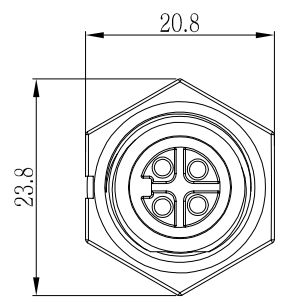
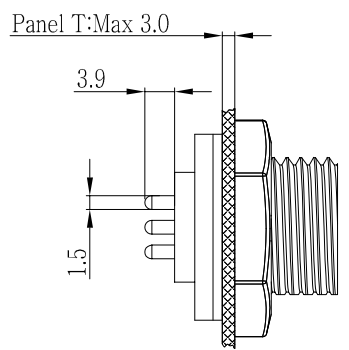


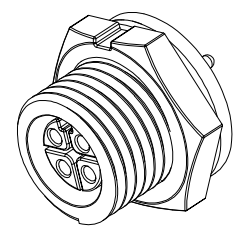
| REV. | ECN NO. | DESCRIPTION     | SIGN  | DATE       |
|------|---------|-----------------|-------|------------|
| C1   | N/A     | INITIAL DRAWING | Yumer | 2020/05/11 |



22XXX615-02  
Pin Number



4 Pin  
P/N: 22004615-02  
Pin Assignments  
Front View



- Specification:
- 1.Operation Temperature:-45°C~105°C.
  - 2.Insulation Resistance:100MΩ at DC500V.
  - 3.Contact Resistance:<10mΩ.
  - 4.Withstand Voltage: 1500V AC
  - 5.Operating Current:10A
  - 6.Operating Voltage:AC 125V
  - 7.Waterproof Rate:IP67 (Mated)
  - 8.Connector:Nylon, Black
  - 9.Female Pin:Copper Alloy, Gold Plated
  - 10.Gasket:Silicon Gray
  - 11.Panel Nut:Nylon, Black
  - 12.Torque Rate:0.8~1.0N • m
  - 13.RoHS Compliant.
  - 14.Mating Cap P/N:806-00030-00

|           |       |
|-----------|-------|
| UNIT:mm   |       |
| TOLERANCE |       |
| .X        | ±0.25 |
| .XX       | ±0.15 |
| .XXX      | ±0.05 |
| ANGLES    | ±1°   |

|   |              |
|---|--------------|
| DESCRIPTION<br>Standard Series Screw Front Mount With Female Pin(PCB) |              |
| SCALE: 1:1  | SHEET 1 OF 1 |
| REV. C1   | SIZE A4      |
| * :Inspection Item  |              |



|                        |                       |                    |
|------------------------|-----------------------|--------------------|
| PART NO<br>22XXX615-02 | DRAWN BY<br>Yumer     | DATE<br>2020/05/11 |
| DWG NO                 | CHECKED BY<br>Ivan    | DATE<br>2020/05/11 |
| CUSTOMER               | APPROVED BY<br>Panson | DATE<br>2020/05/11 |

THIS INFORMATION IS CONFIDENTIAL AND IS DISCLOSED TO YOU ON CONDITION THAT NO FURTHER DISCLOSURE IS MADE BY YOU TO OTHER THAN CHOGORI PERSONNEL WITHOUT AUTHORIZATION FROM CHOGORI CORP.